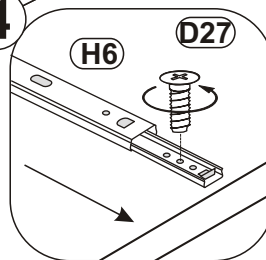
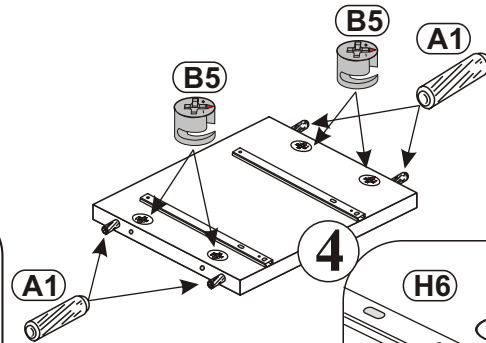
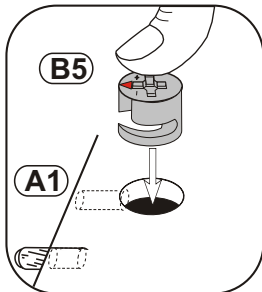
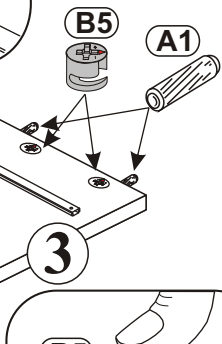
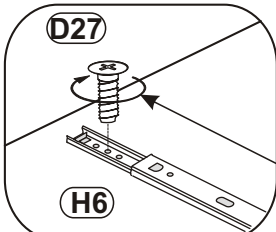
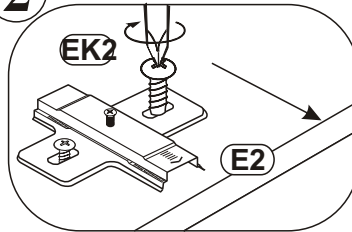
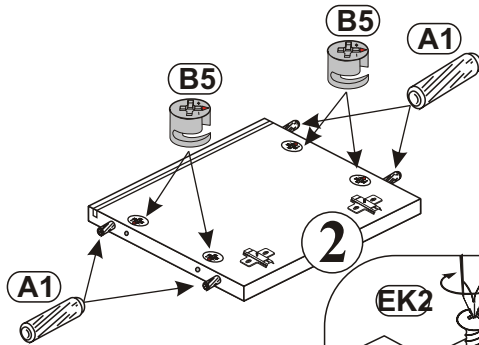
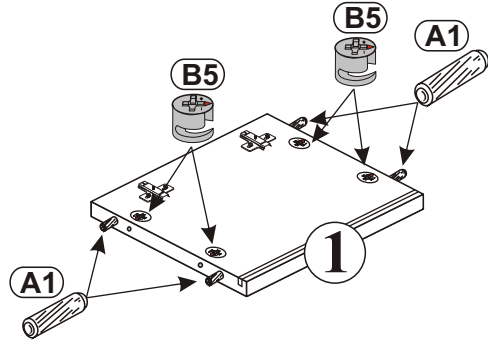
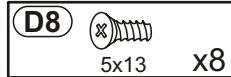
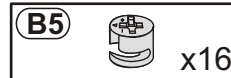
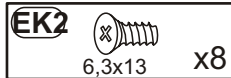
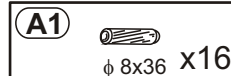
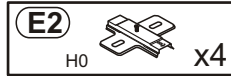
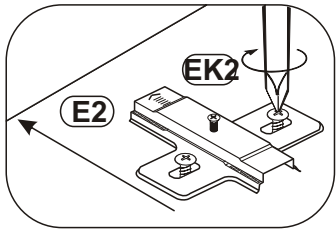
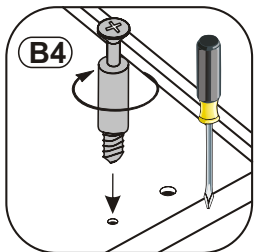
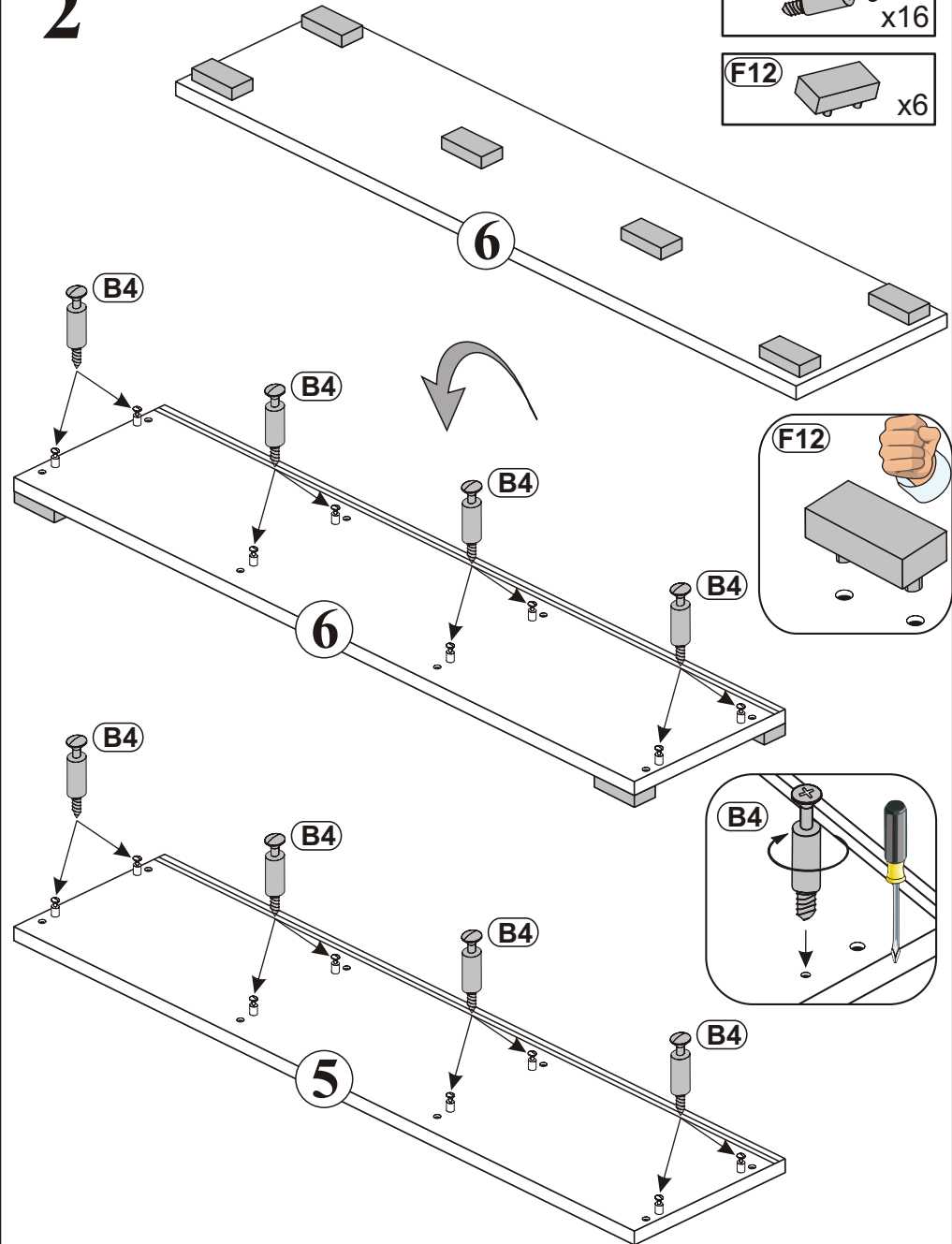
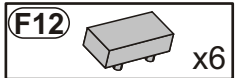
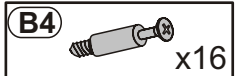


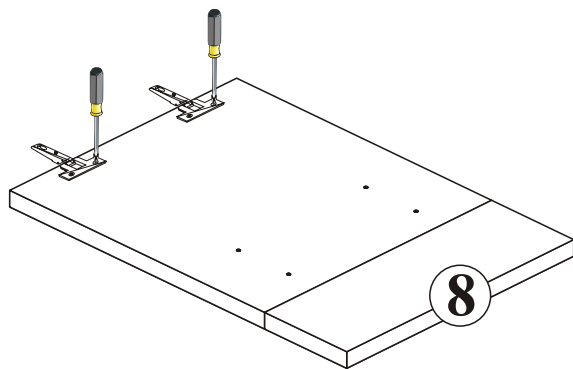
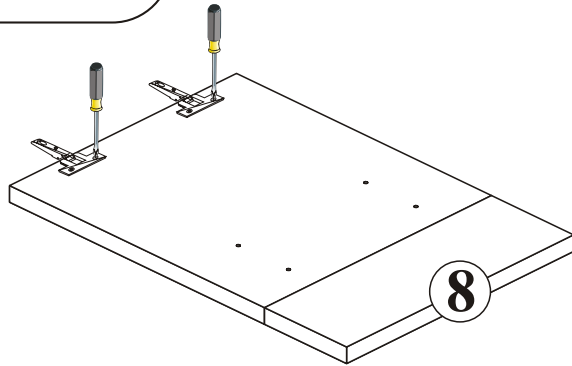
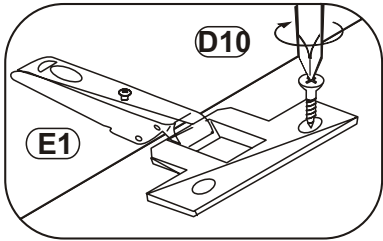
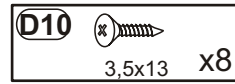
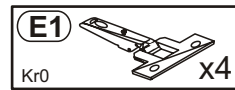
# 1



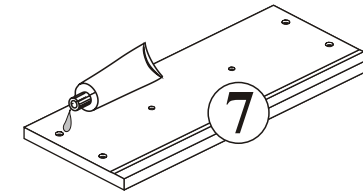
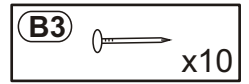
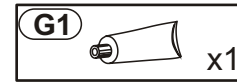
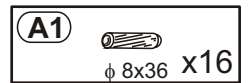
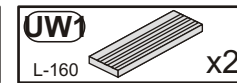
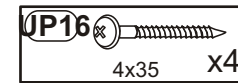
# 2



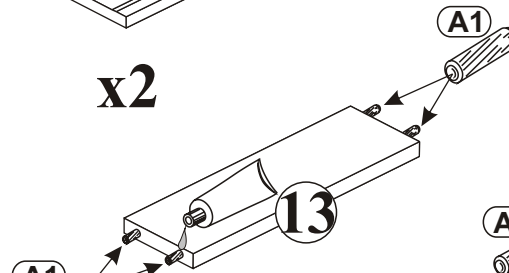
### 3



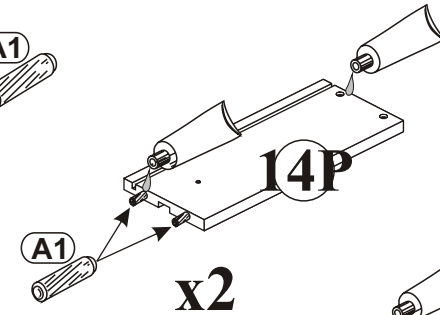
### 4



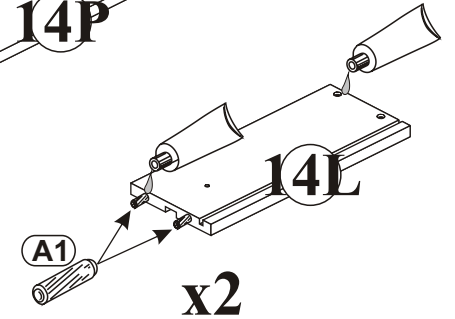
x2



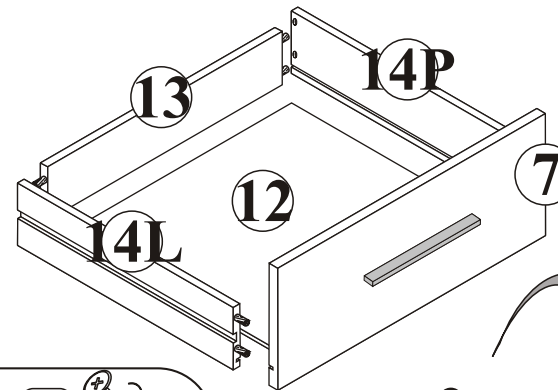
x2



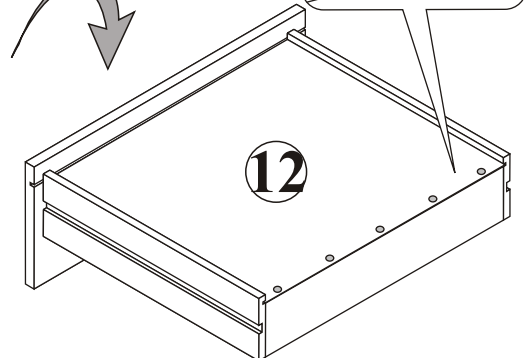
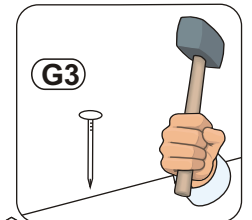
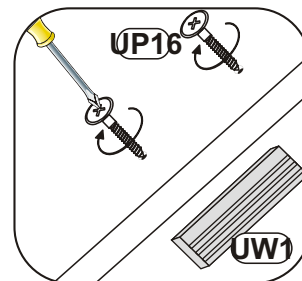
x2



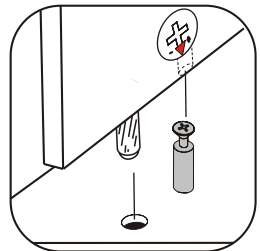
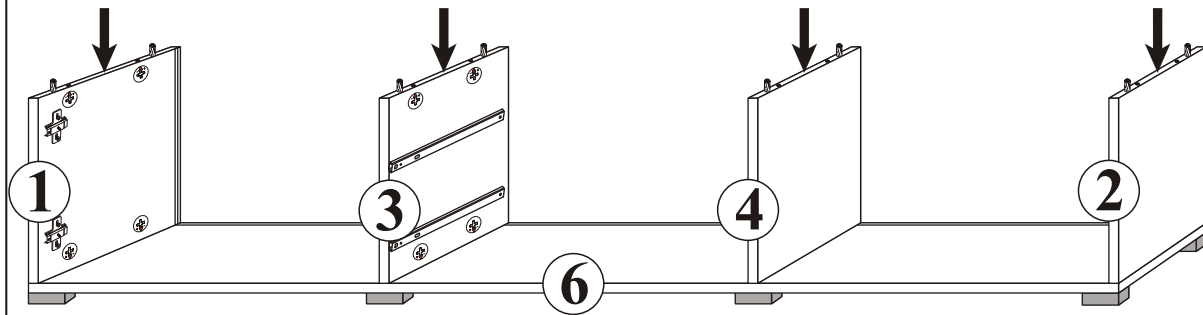
x2



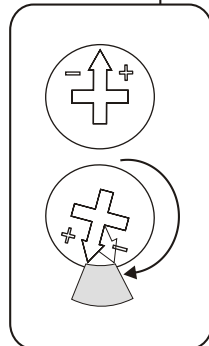
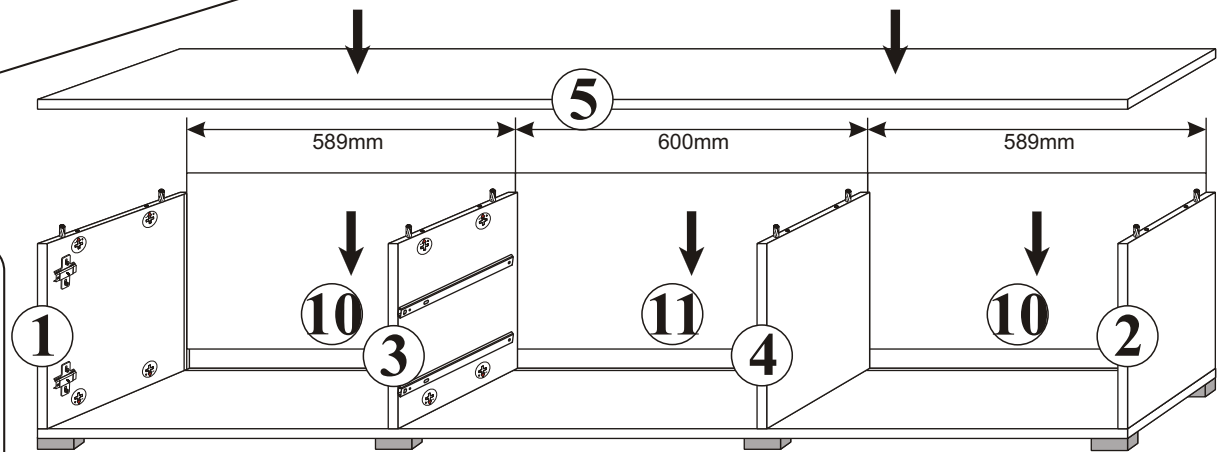
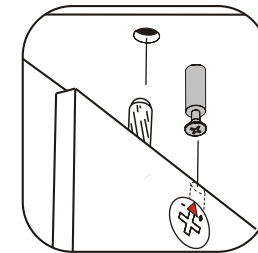
x2



5

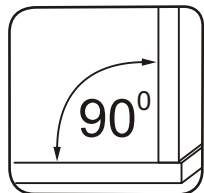
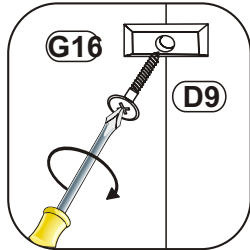
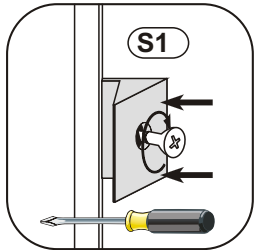
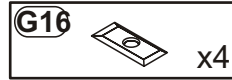
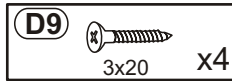
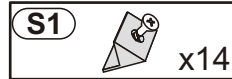
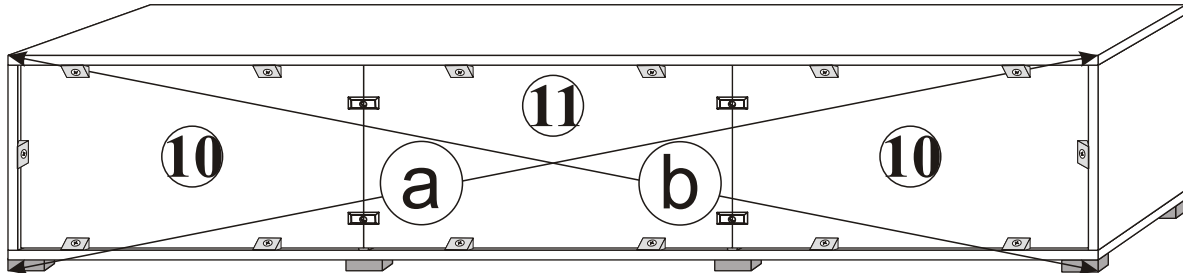


6

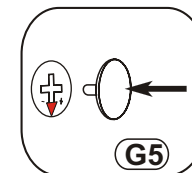
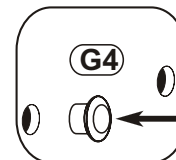
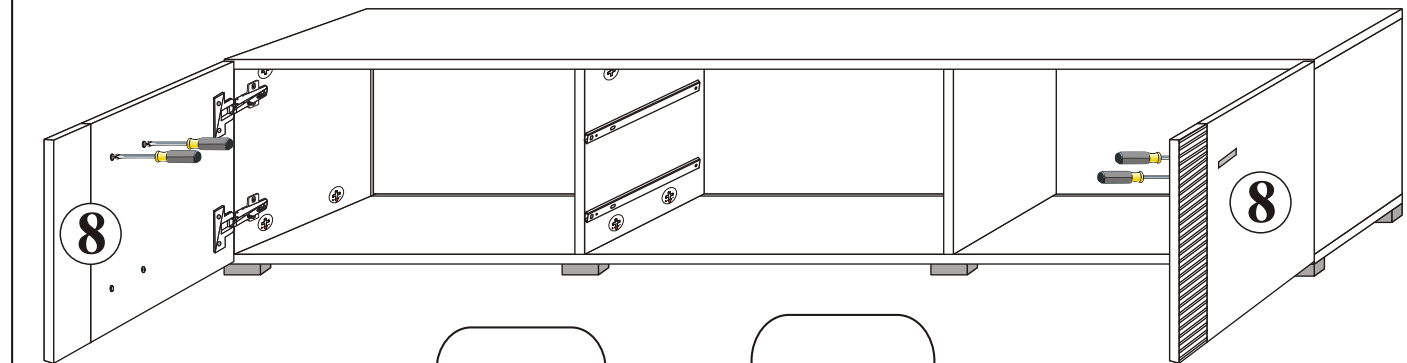
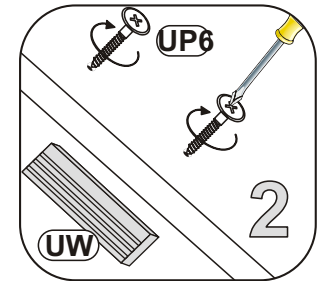
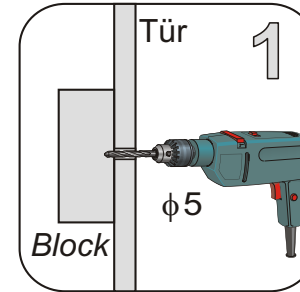
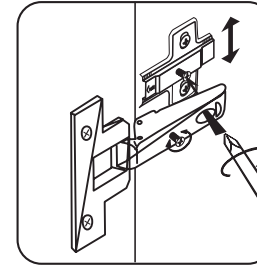
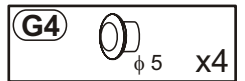
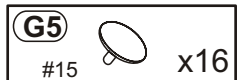
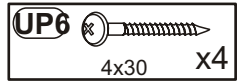
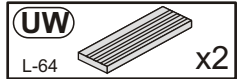


## 7

a=b



## 8



9

D18  
M4x9mm x4

