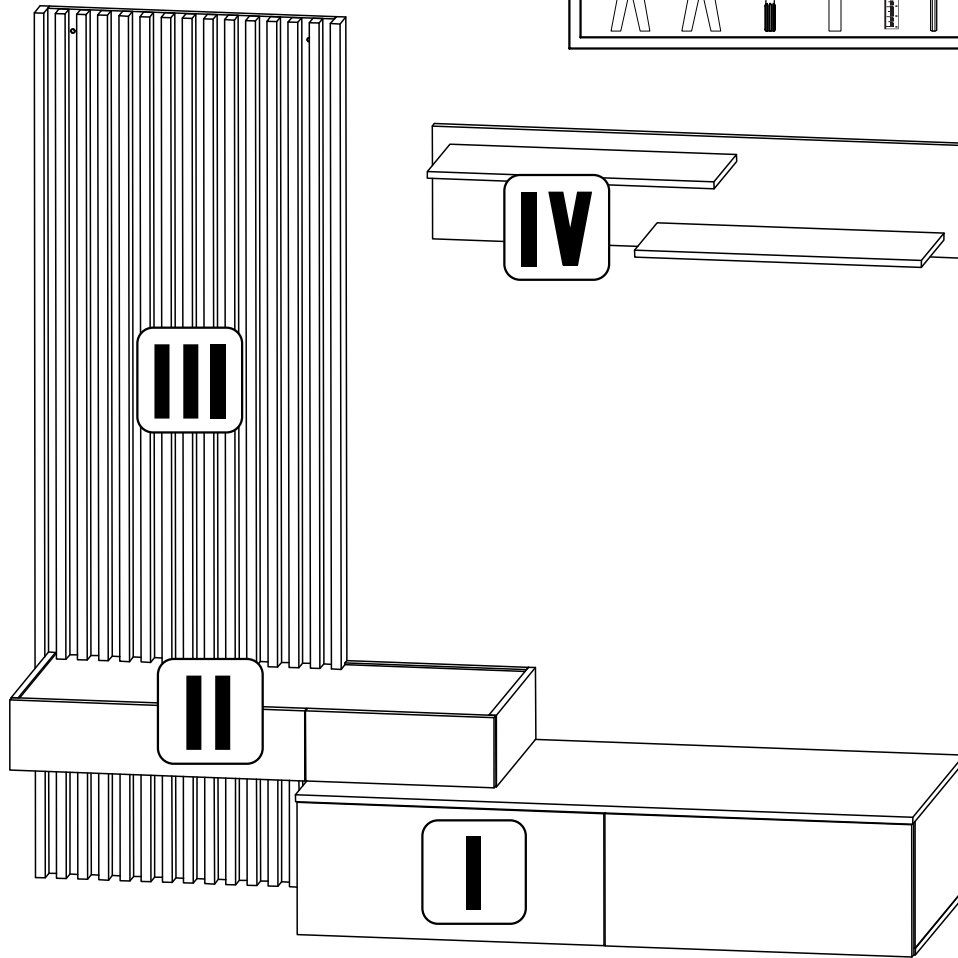
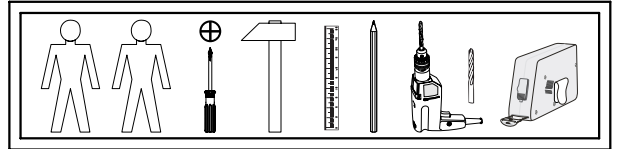
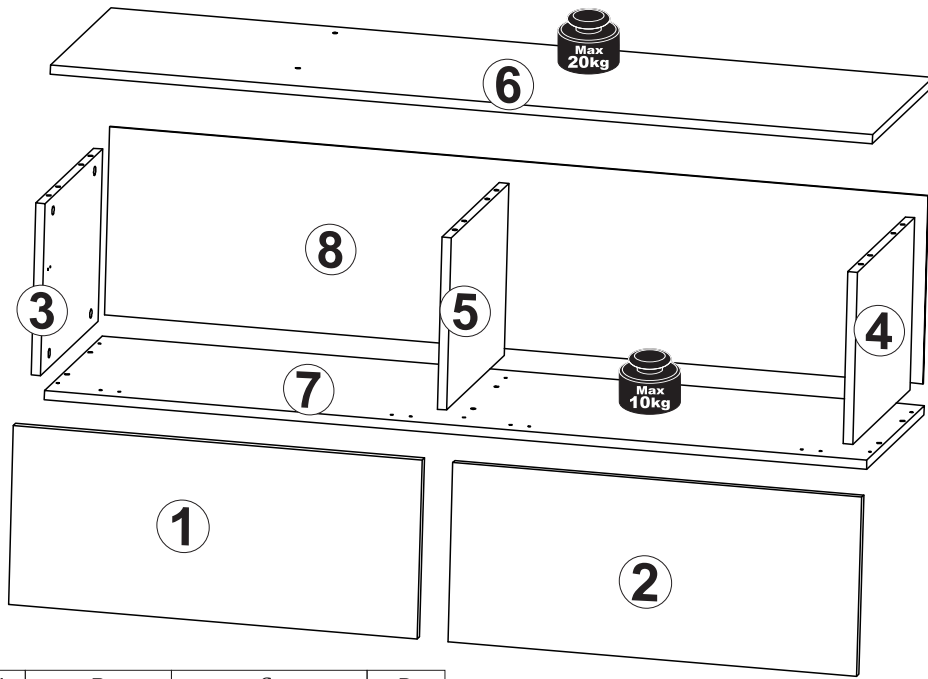


Camino



4x K0 a44	4x D5 b19	18x φ7x50 mm e1	2x k1	8x φ3,5x15 mm p51	20x φ16 s2
26x φ8x30 mm f1	41x φ15x12mm #16 r1	41x 20/9 r16	12x φ3,5x12 mm p140	40x l1	10x φ5x50 mm e32
2x L-230 m48	8x φ3,5x13 mm p1	12x φ6x13 mm e3	4x φ5x11 mm e4	1x z1	2x φ7x35 mm e26
5x 60x60/25 mm k55	4x 300mm w206 ¹	4x 300mm w206 ²	6x φ3x12 mm p54	2x z100/1 ¹	2x z100/1 ²
10x φ4x35 mm p6	2x φ20 самоклейка s100	2x g2	2x z100/1 ³		2x z100/1 ⁴
2x φ6,3x13 mm e2	x2 x2 x2				

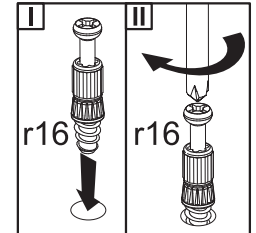
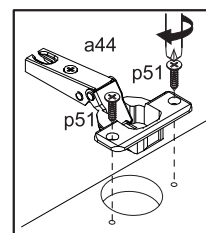
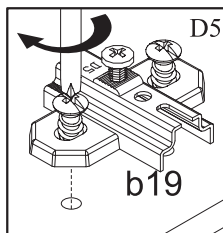
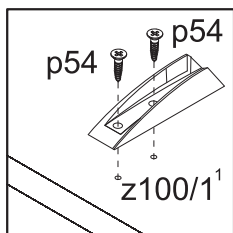
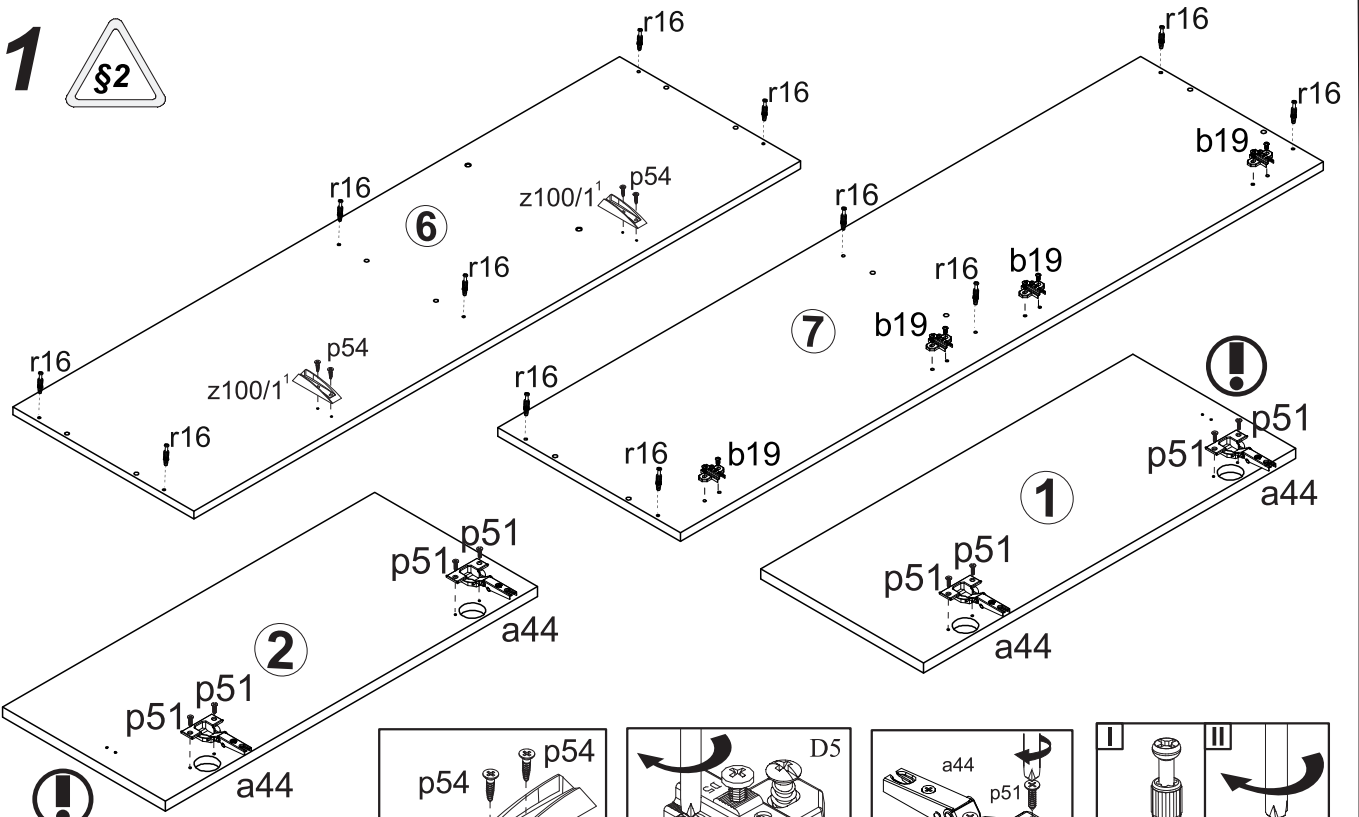
I



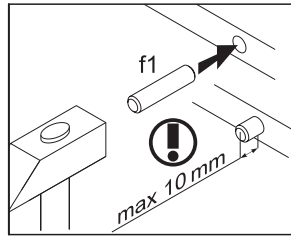
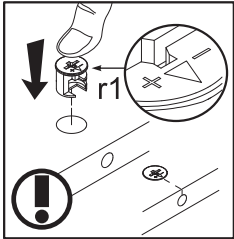
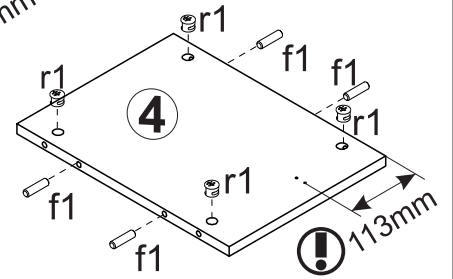
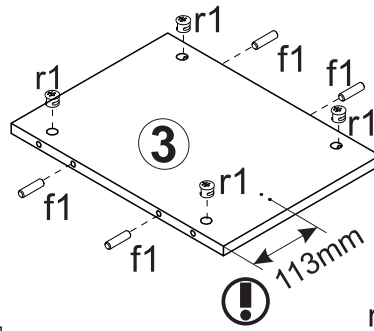
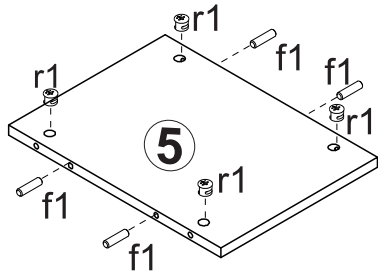
A	B	C	D	
1	RB2-009	696	299	2/3
2	RB2-010	696	299	2/3
3	RB2-111	287	397	2/3
4	RB2-112	287	397	2/3
5	RB2-113	287	397	2/3
6	RB2-206	1400	422	2/3
7	RB2-202	1400	397	2/3
8	RB2-903	1394	320	2/3



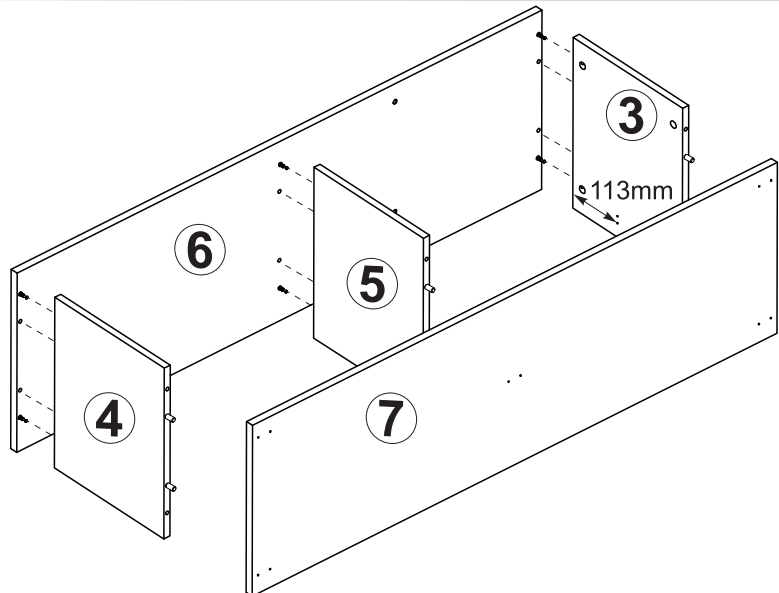
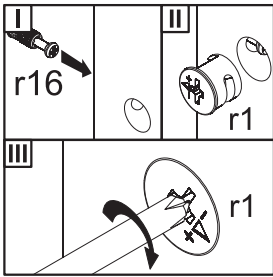
1 §2



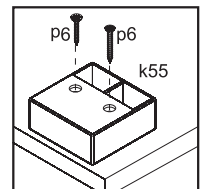
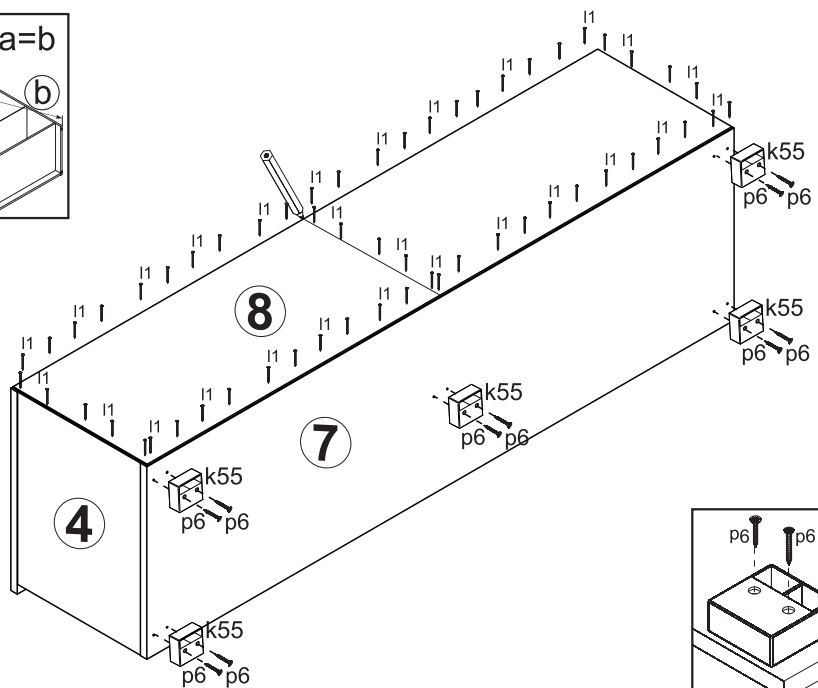
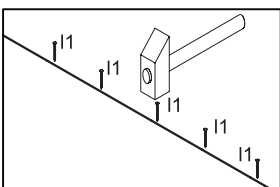
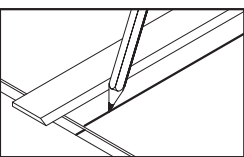
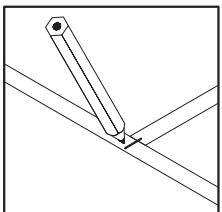
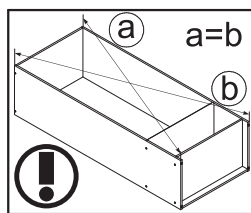
2



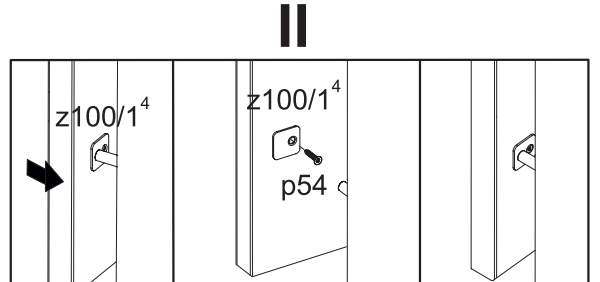
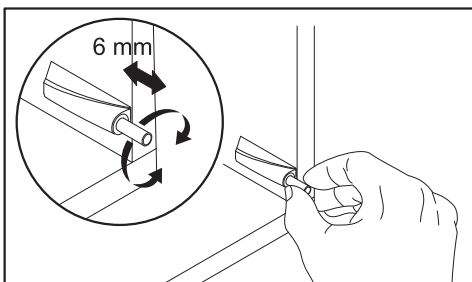
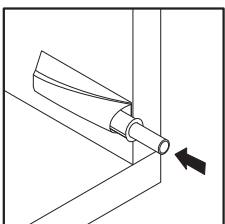
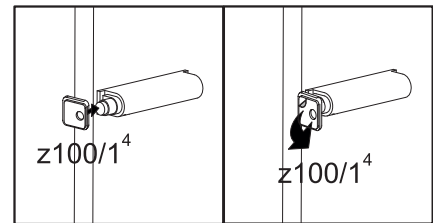
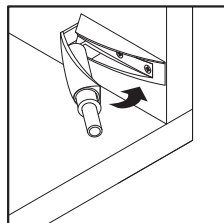
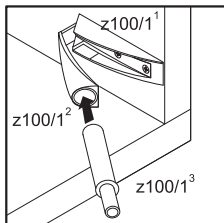
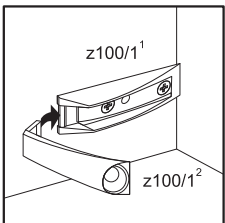
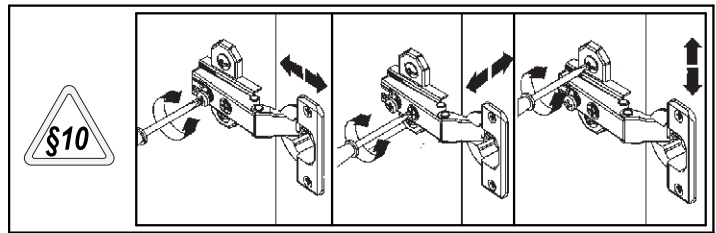
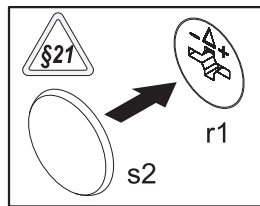
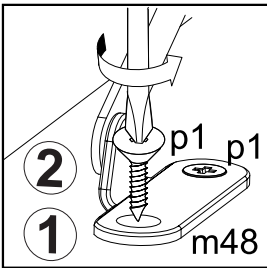
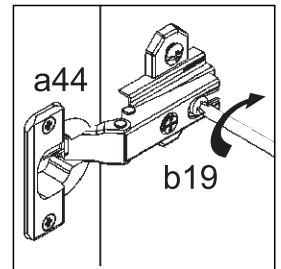
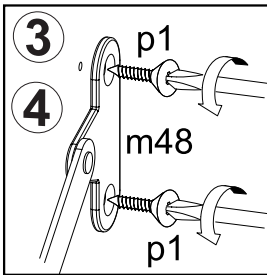
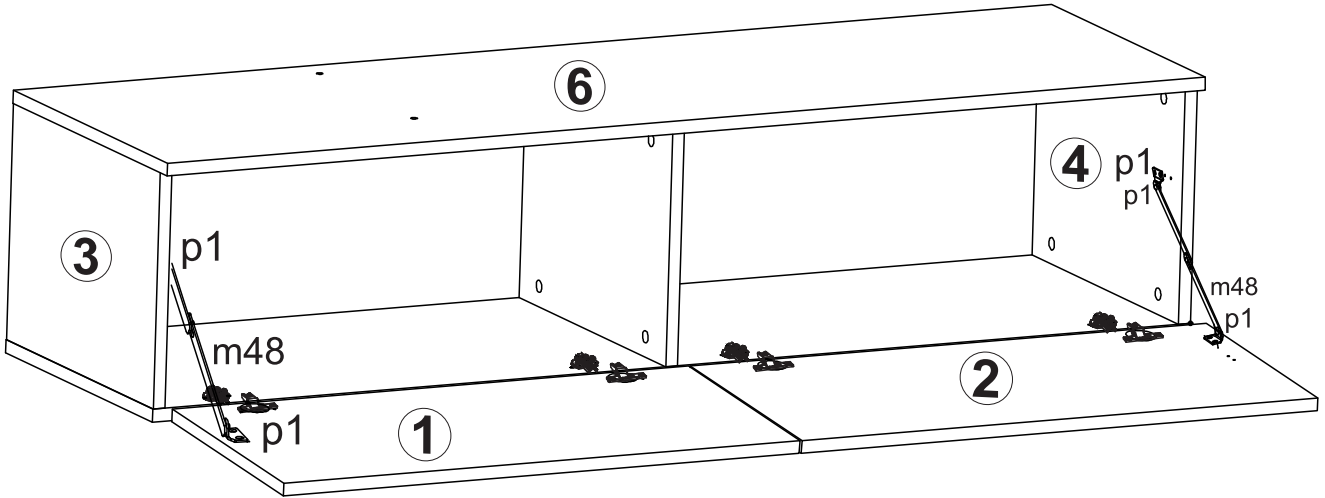
3



4

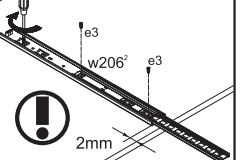
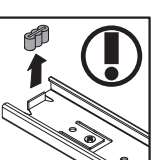
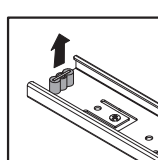
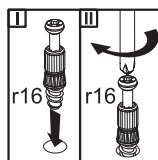
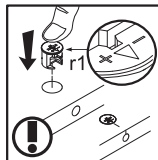
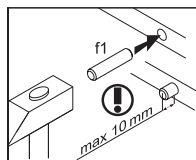
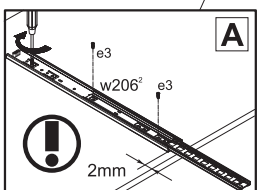
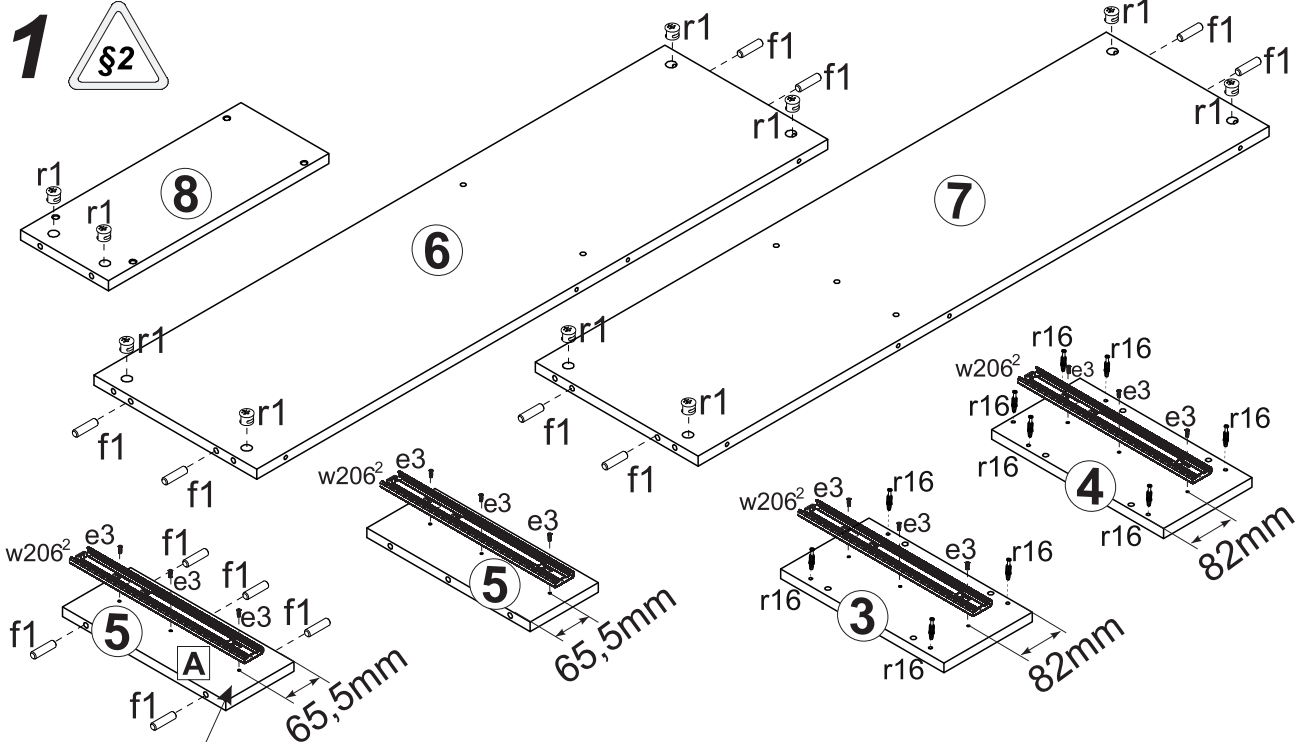
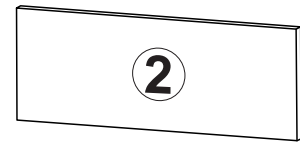
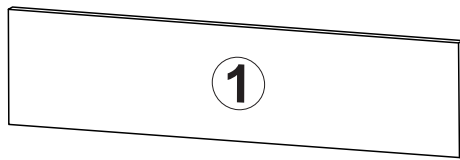
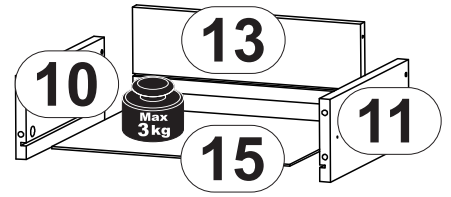
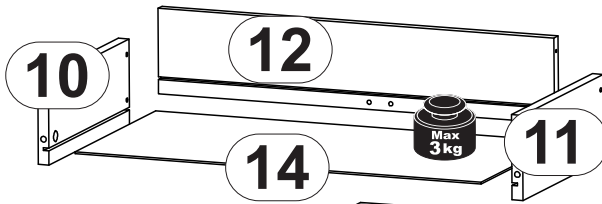
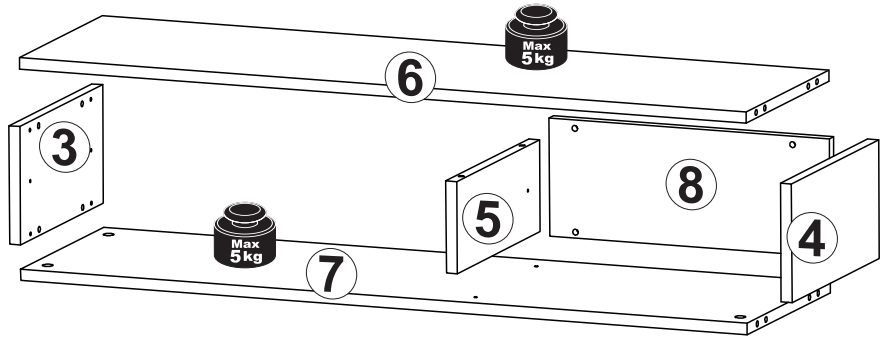


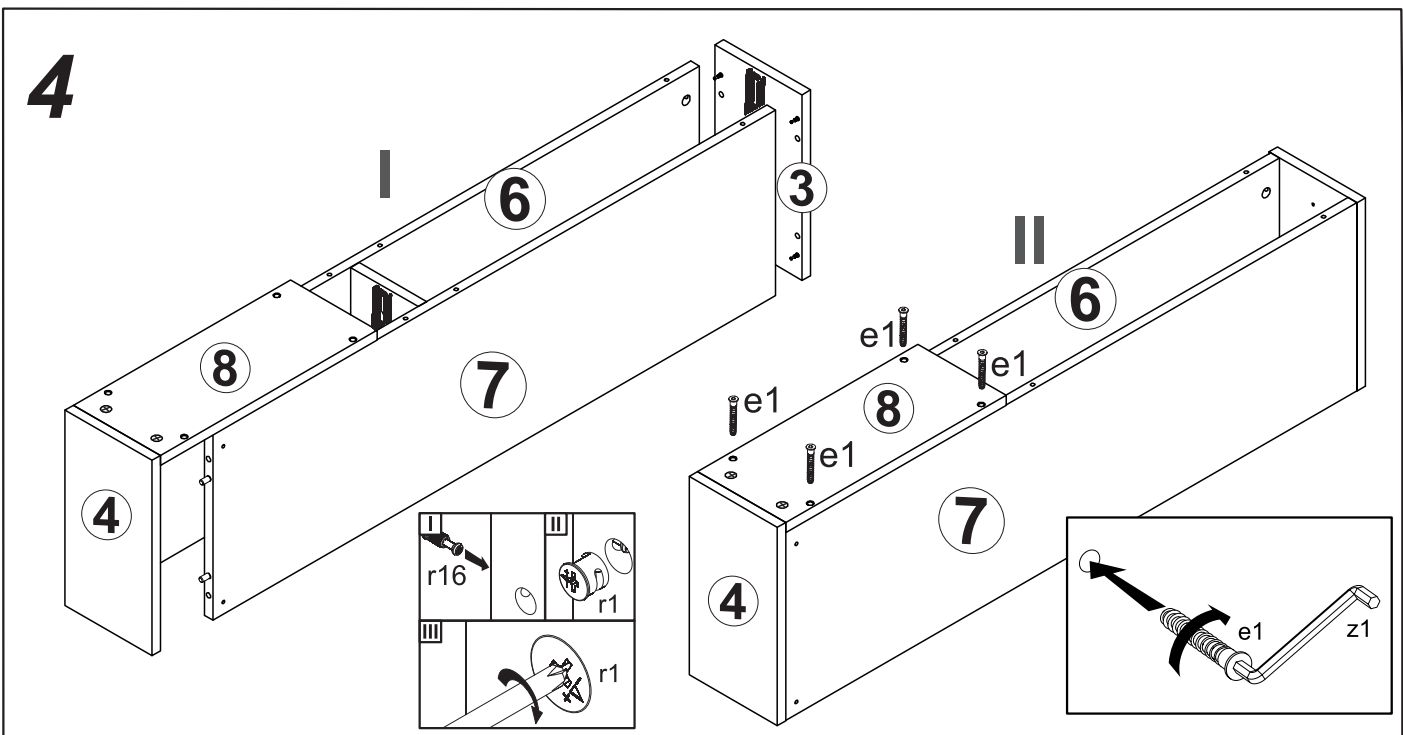
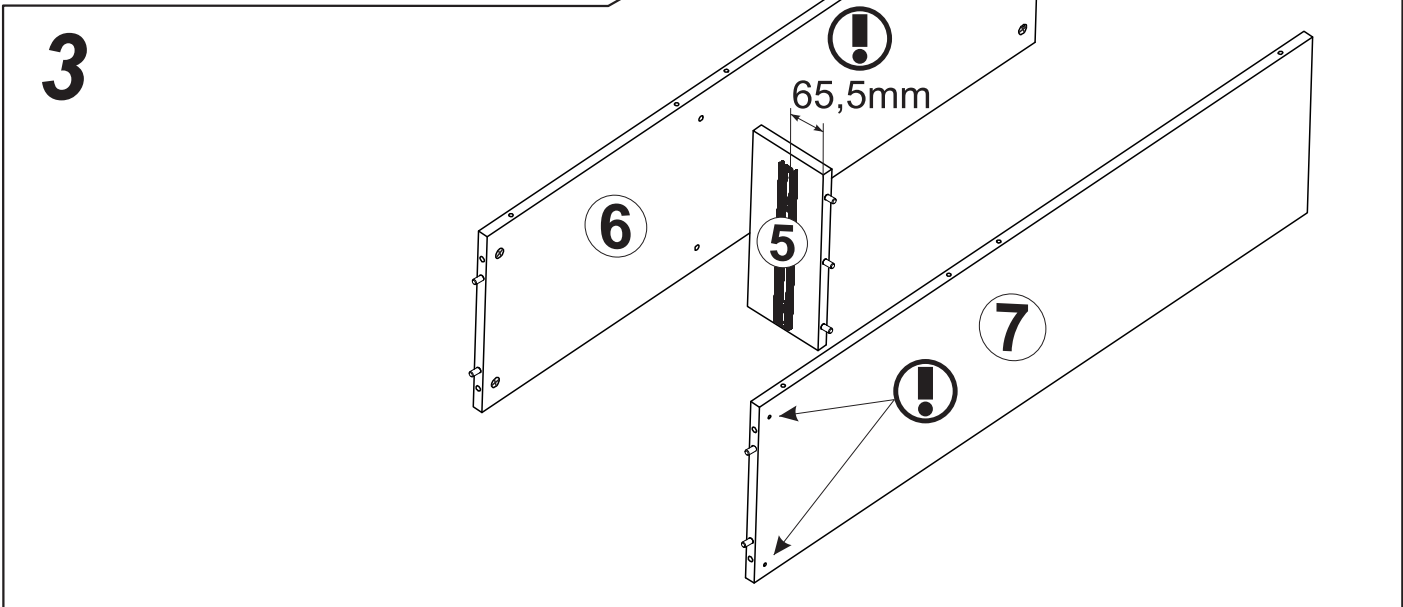
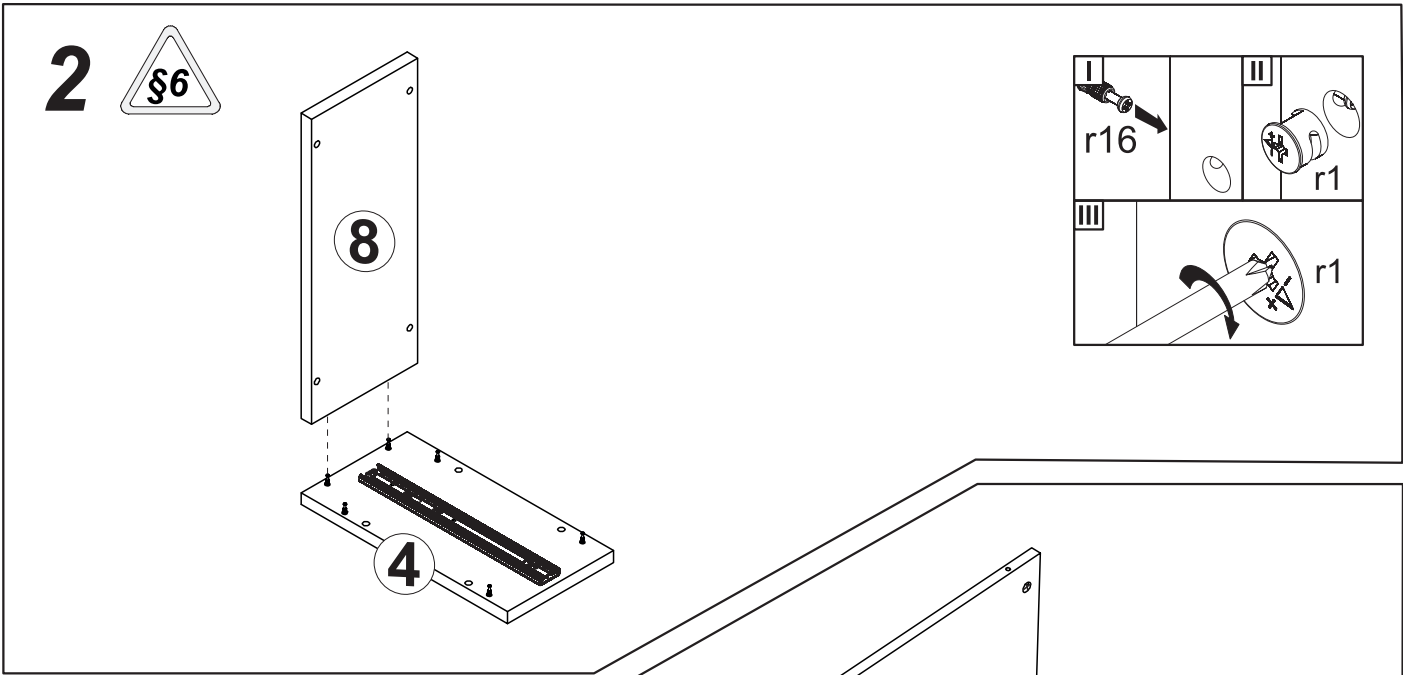
5



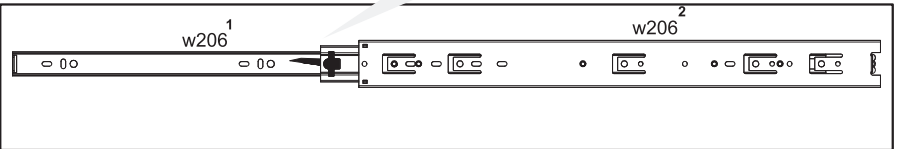
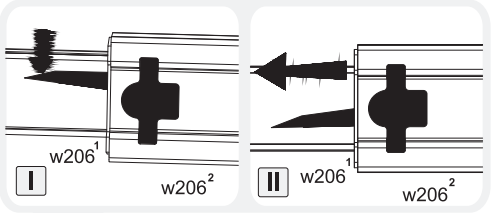
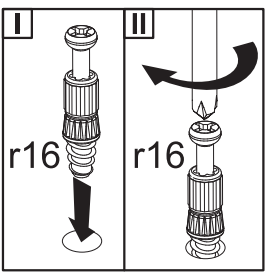
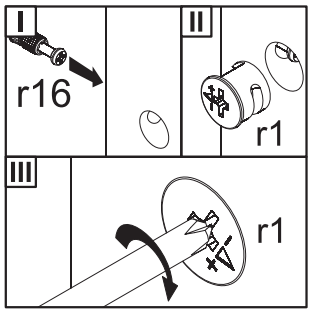
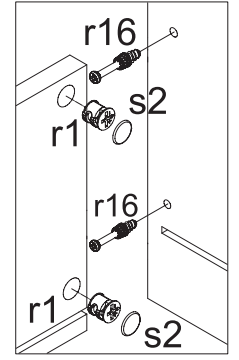
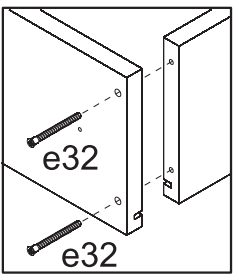
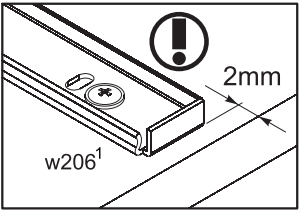
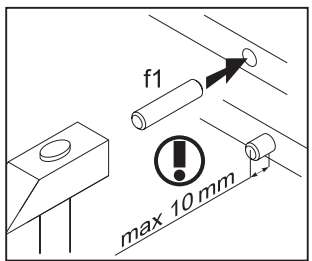
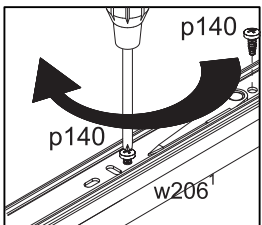
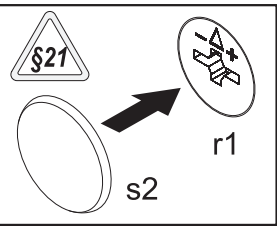
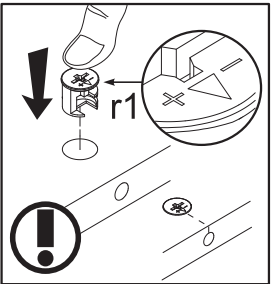
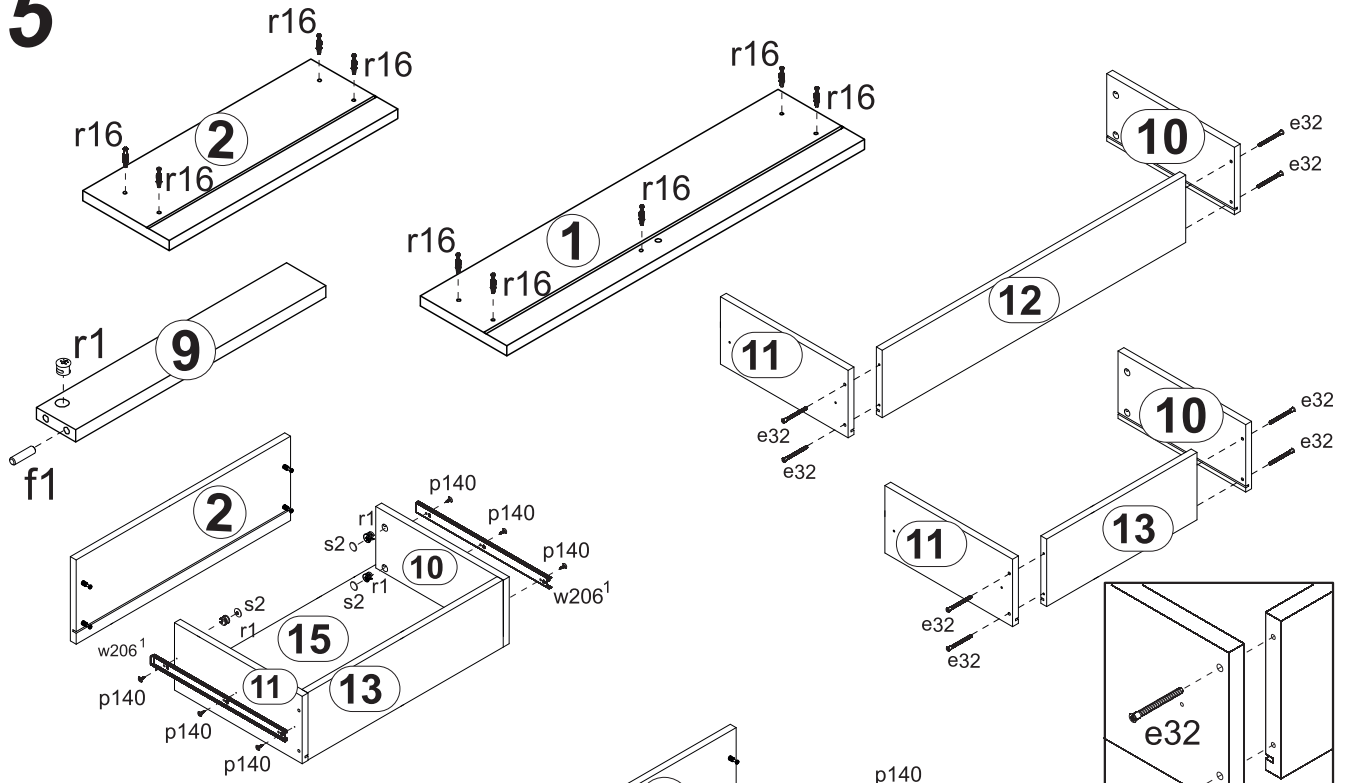
II

A	B	C		D
1	RB2-001	669	161	3/3
2	RB2-002	427	161	3/3
3	RB2-101	305	165	3/3
4	RB2-102	321	165	3/3
5	RB2-103	305	128	3/3
6	RB2-301	1068	305	3/3
7	RB2-302	1068	305	3/3
8	RB2-401	412	165	3/3
9	RB2-402	283	60	3/3
10	RB2-551	300	120	3/3
11	RB2-552	300	120	3/3
12	RB2-553	588	120	3/3
13	RB2-554	348	120	3/3
14	RB2-901	299	603	3/3
15	RB2-902	299	363	3/3



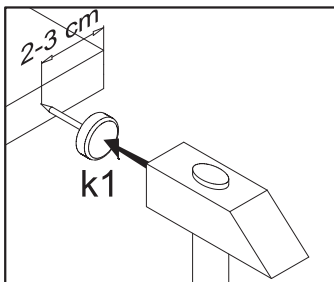
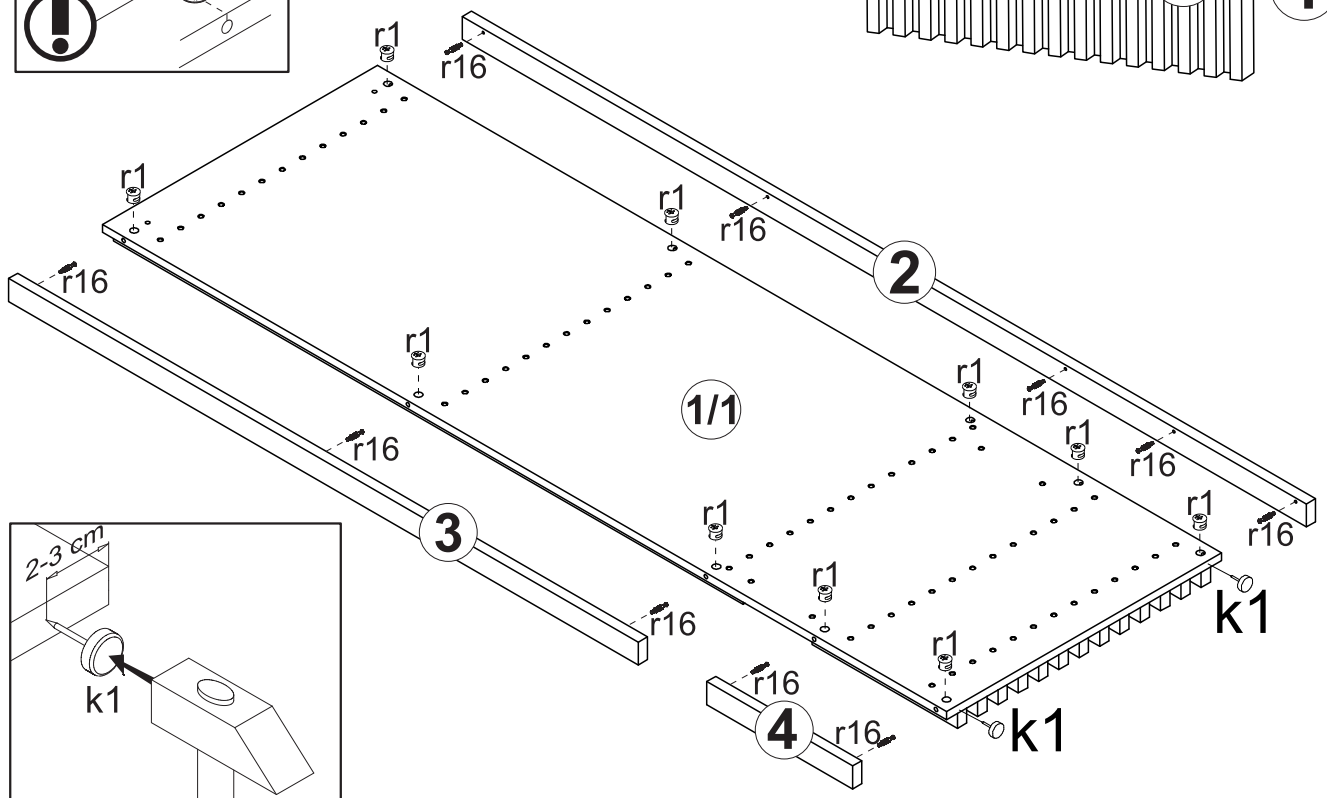
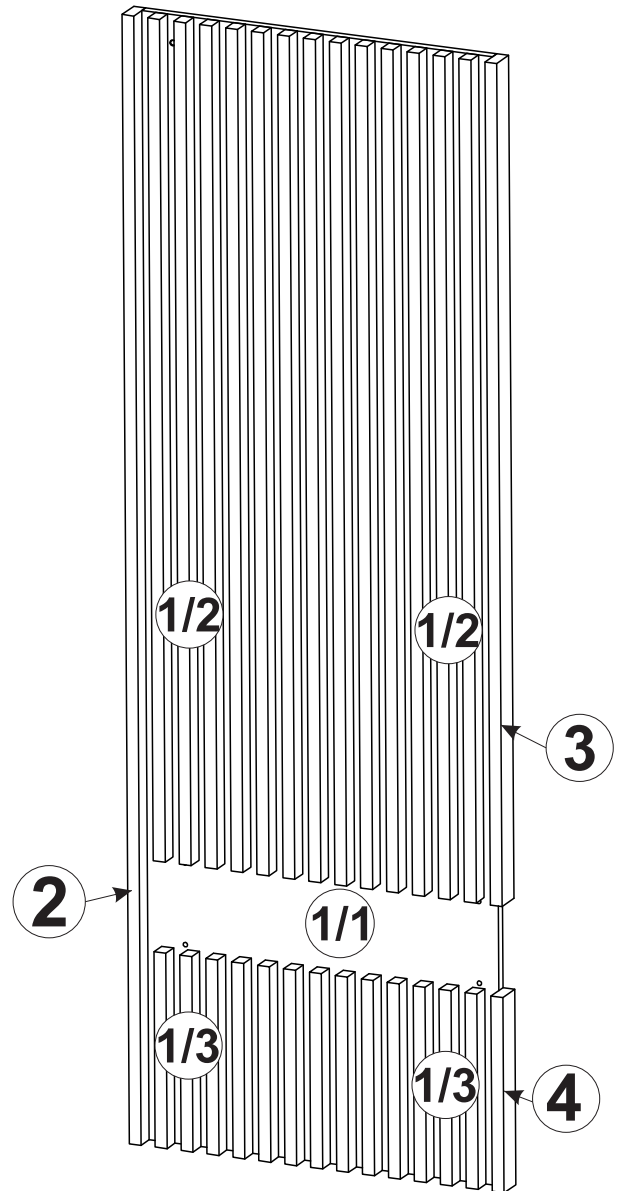
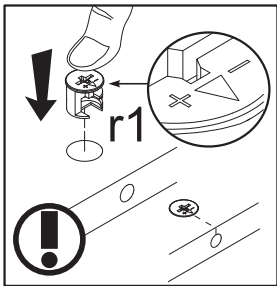
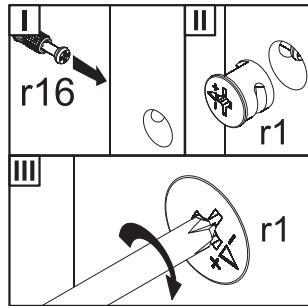
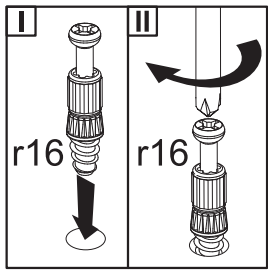


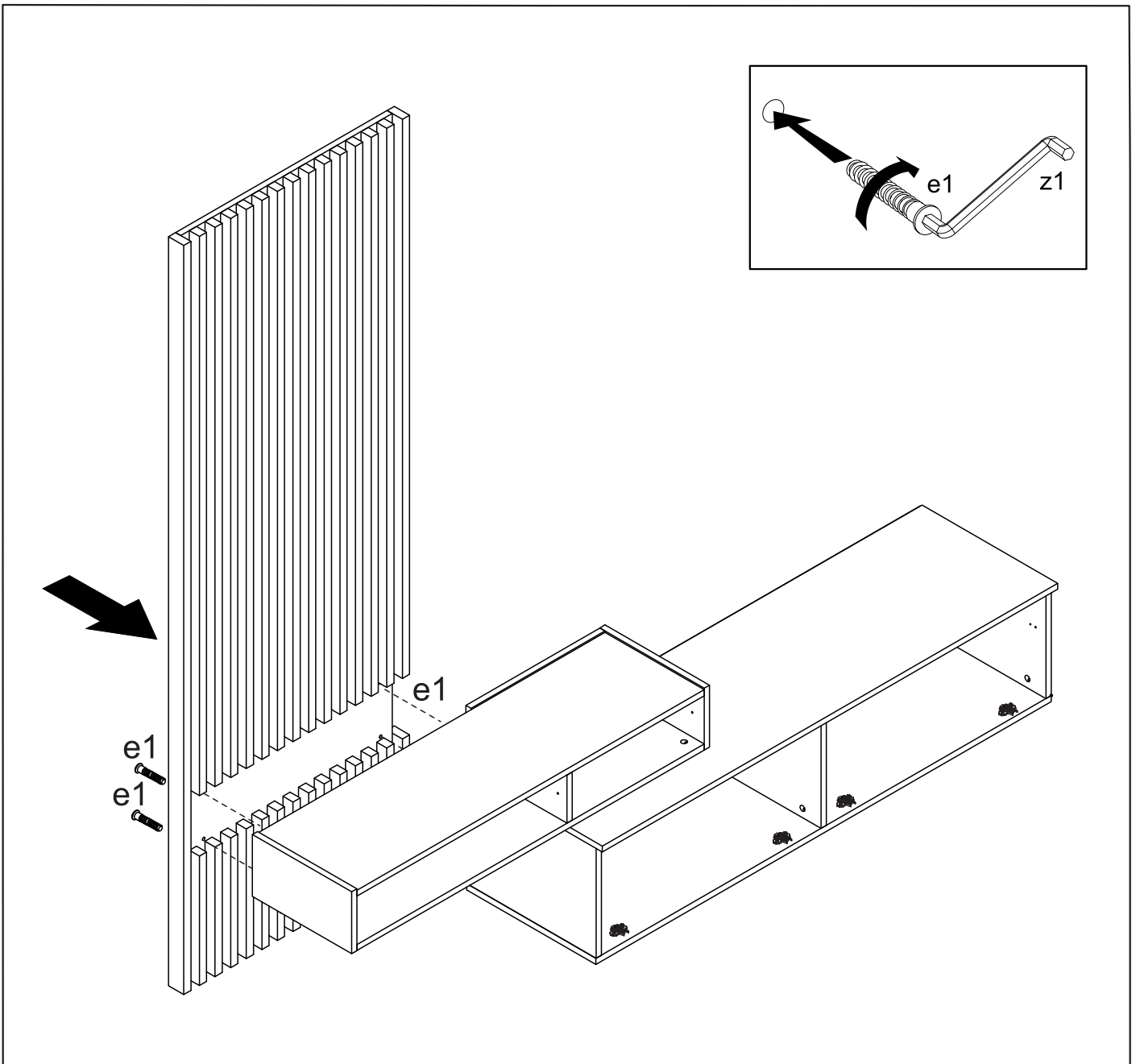
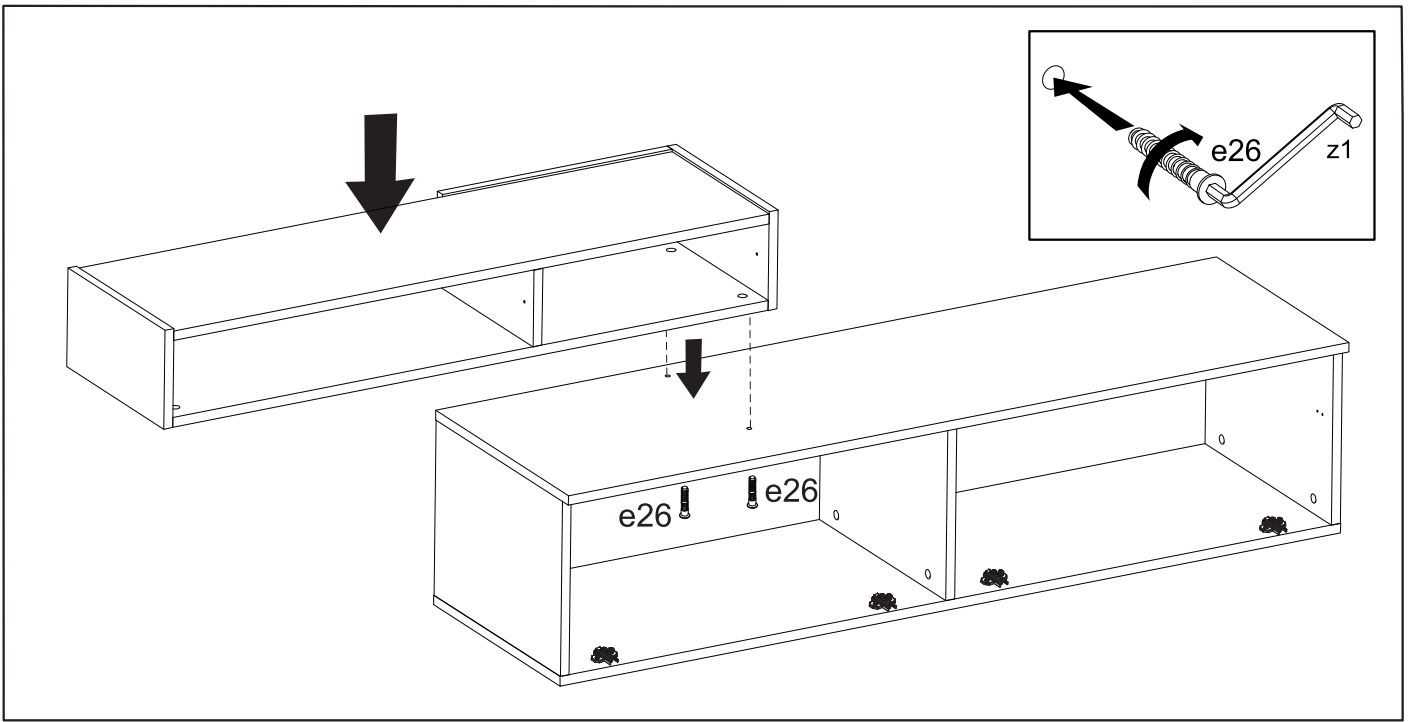
5

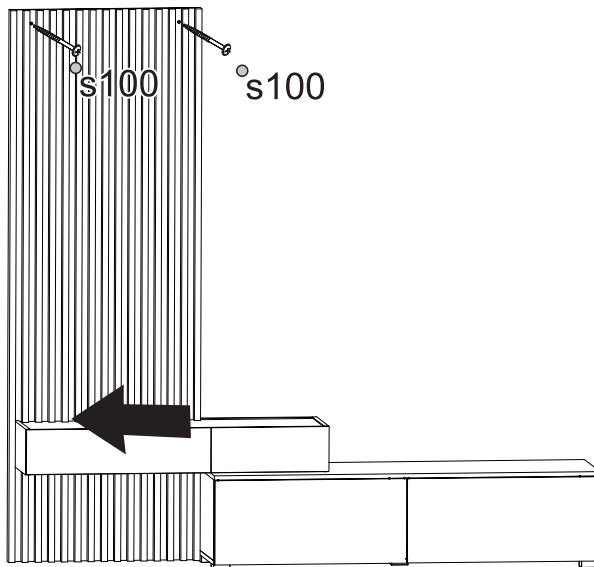
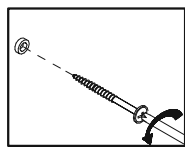
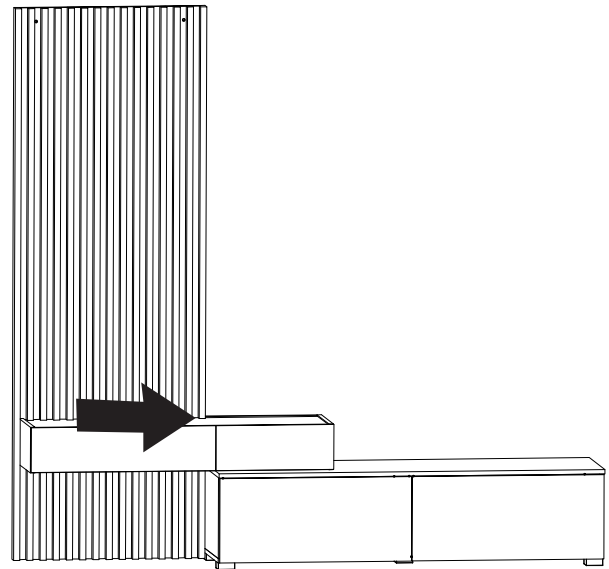
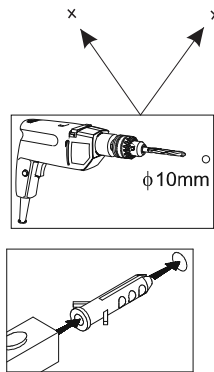
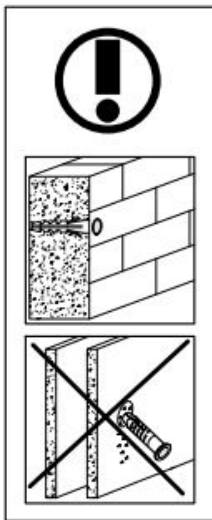
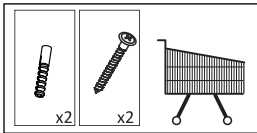
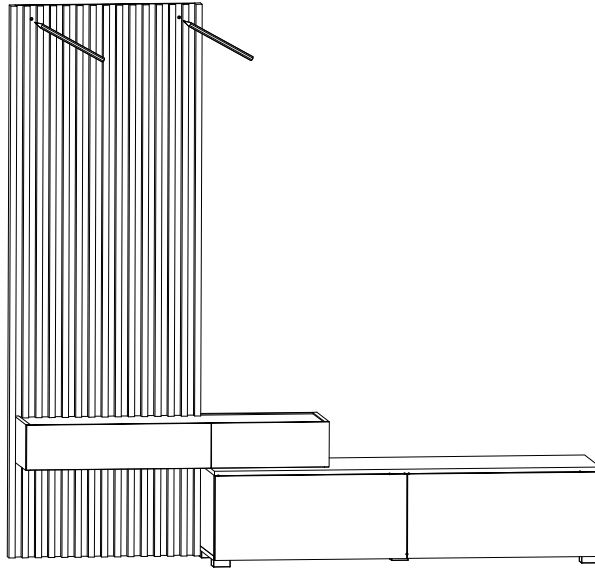




A	B	C		D
1	RB2- 501	1995	650	1/3
▼				
1/1	RB2- 403	1995	650	1/3
1/2	RB2- 405	1488	31	1/3
1/3	RB2- 406	345	31	1/3
2	RB2- 404	1995	47	1/3
3	RB2- 407	1488	47	1/3
4	RB2- 408	345	47	1/3

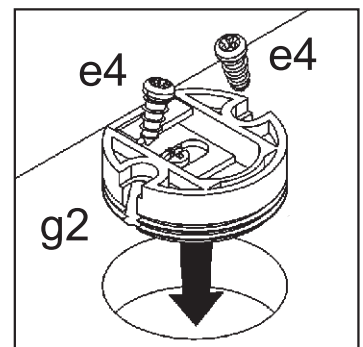
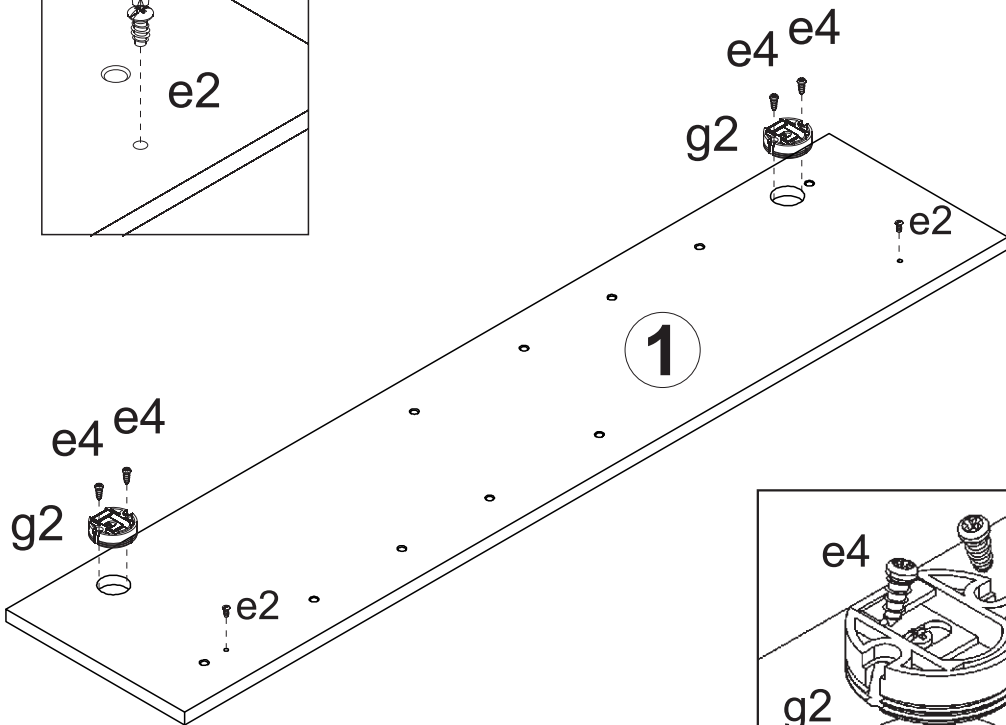
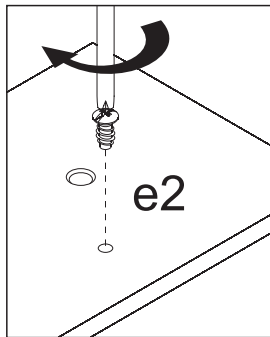
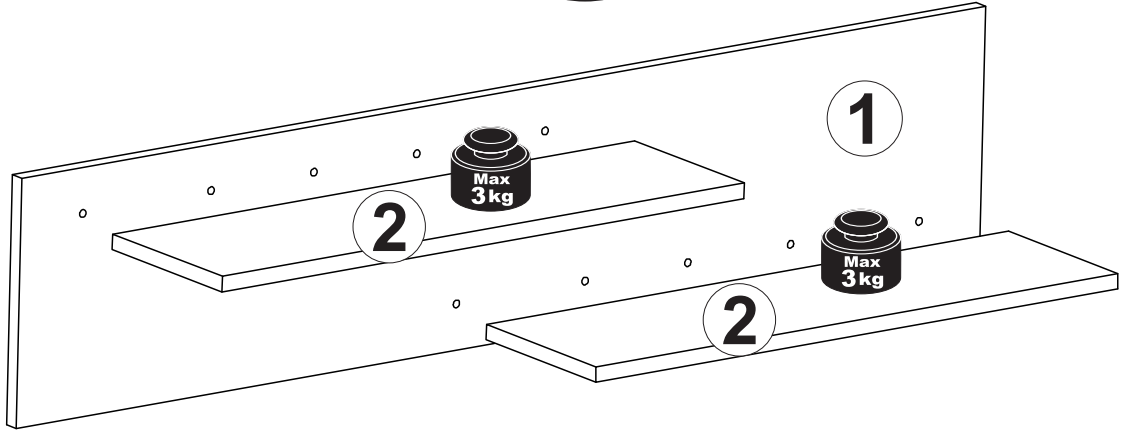




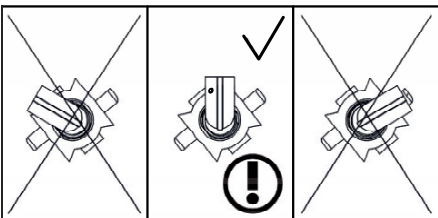
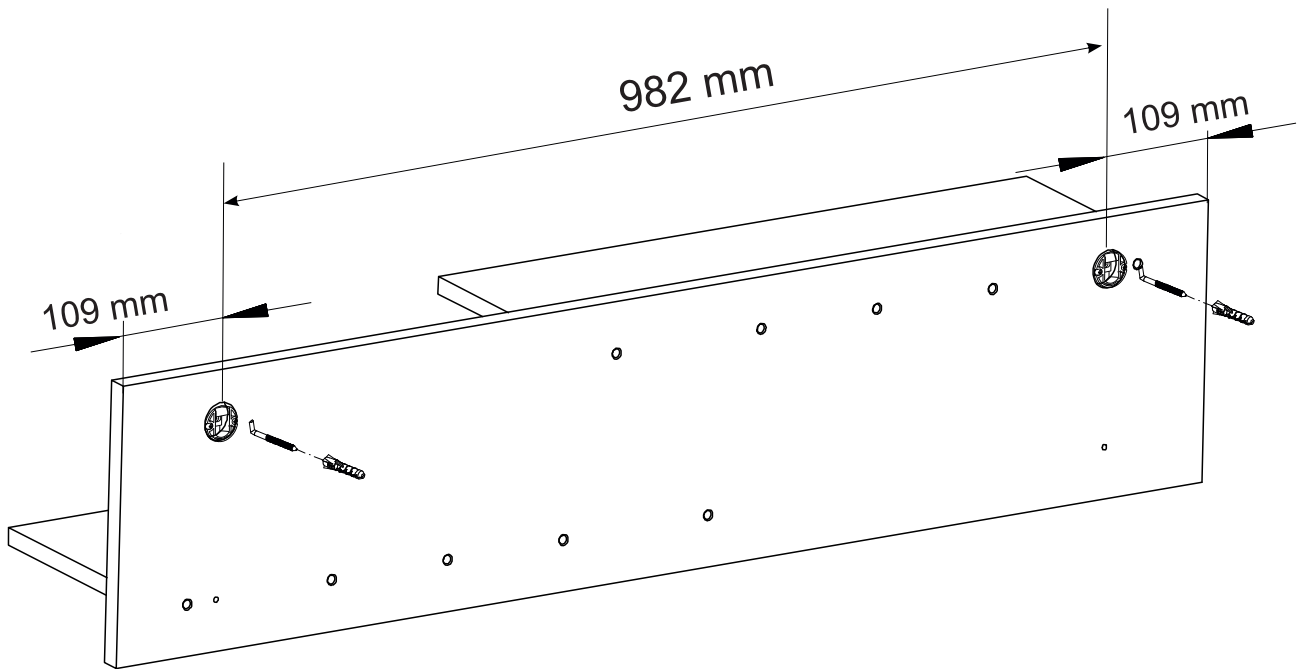
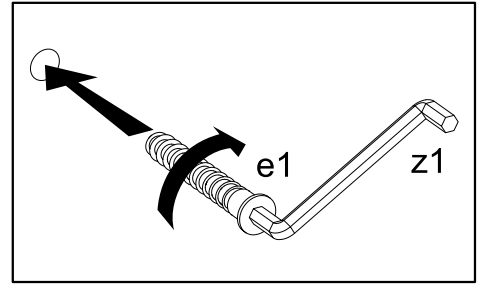
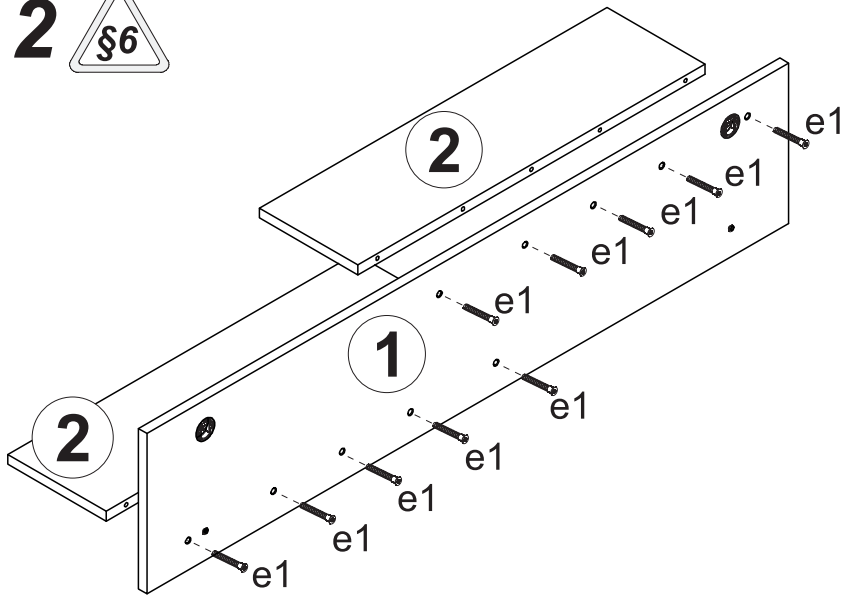


IV

A	B	C		D
1	RB2 -409	1200	260	2/3
2	RB2 -303	650	184	3/3



2 §6



§10

