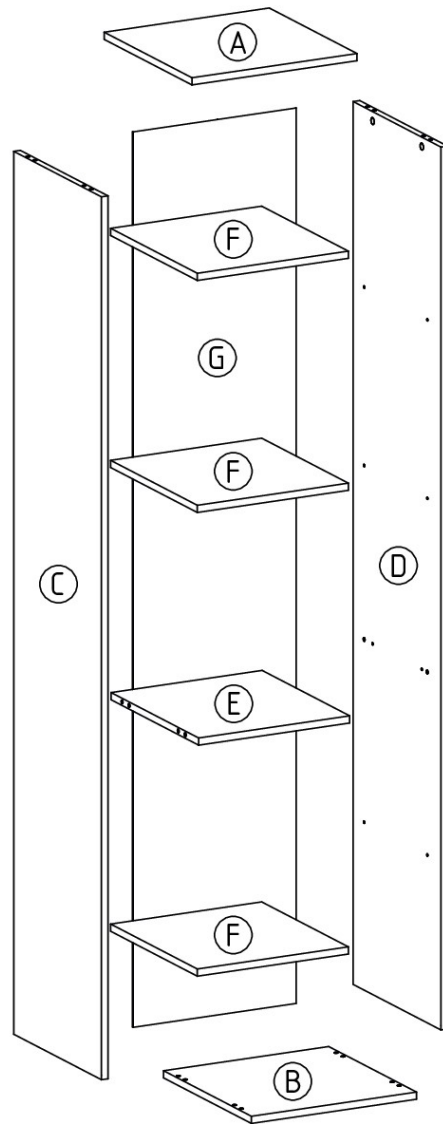
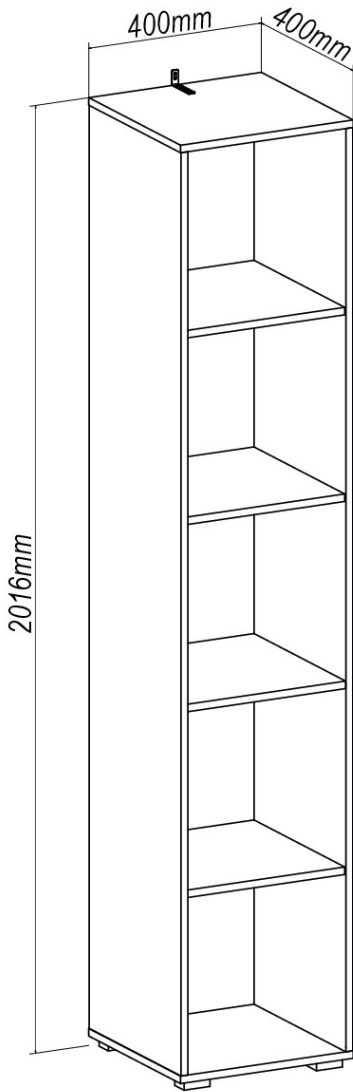


LIMA SL-1

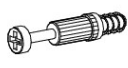






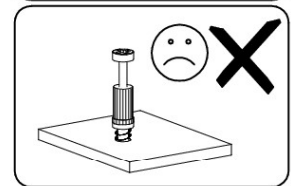
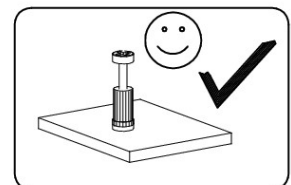
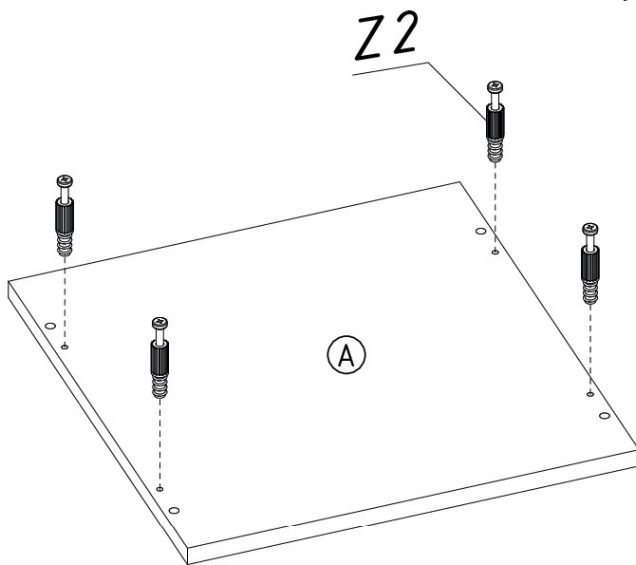
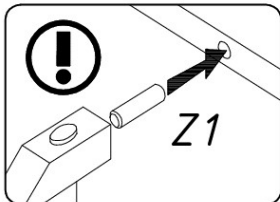
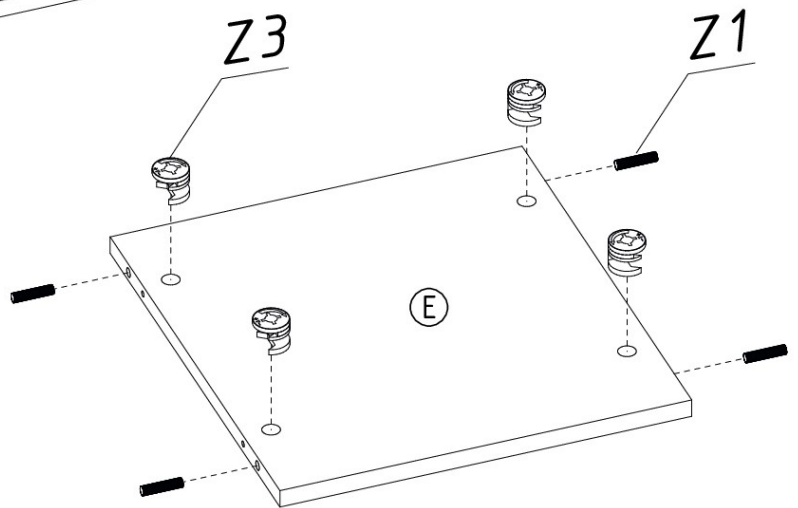
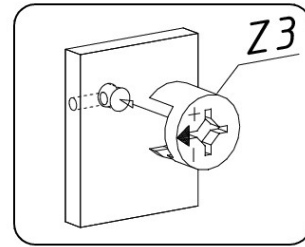
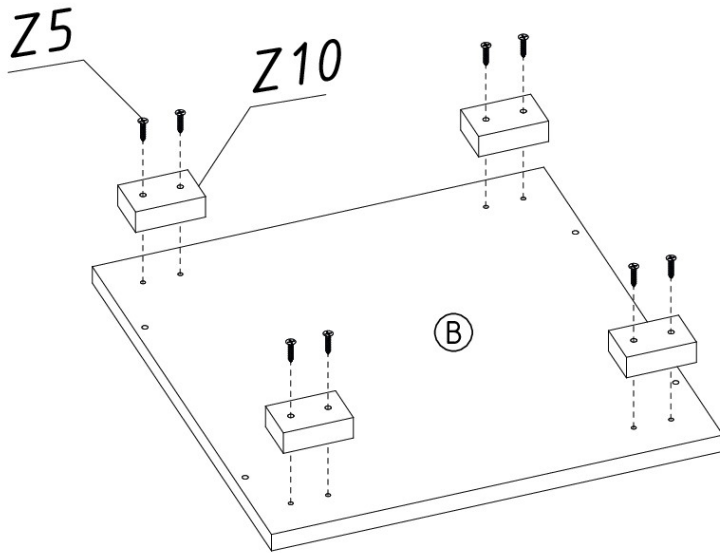
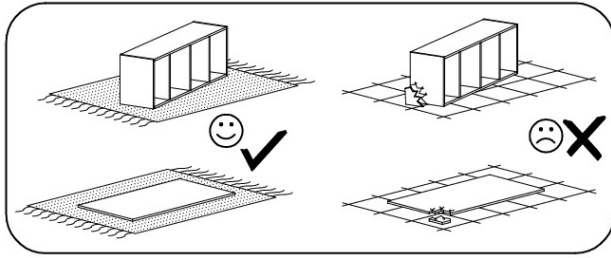
HALMAR Sp. z o.o., ul. Centralnego Okręgu Przemysłowego 2,
37-450 Stalowa Wola, POLSKA / POLAND
tel. + 48 15 843 28 10, fax: +48 15 842 19 57, e-mail: office@halmar.com.pl



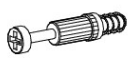


		 Z1 $\phi 8 \times 30$ 12 x		 Z2 6.3x50 4 x	
 Z3 $\phi 15 \times 12$ 8 x		 Z4 4x20 8 x		 Z5 3.5x16 2 x	
 Z6 3.5x16 2 x		 Z7 6.3x50 4 x		 Z8 1 x	
 Z9 1 x		 Z10 4x20 4 x		 Z11 2x20 50 x	
 Z12 $\phi 16$ 8 x		 Z13 $\phi 12$ 4 x			

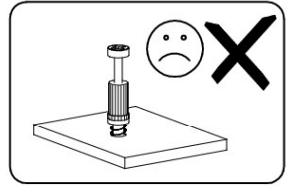
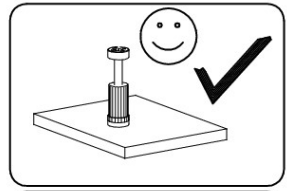
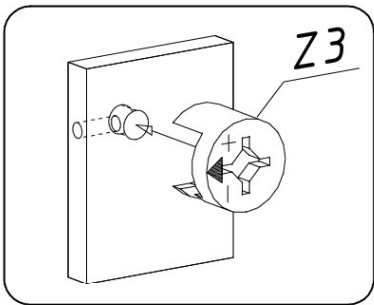
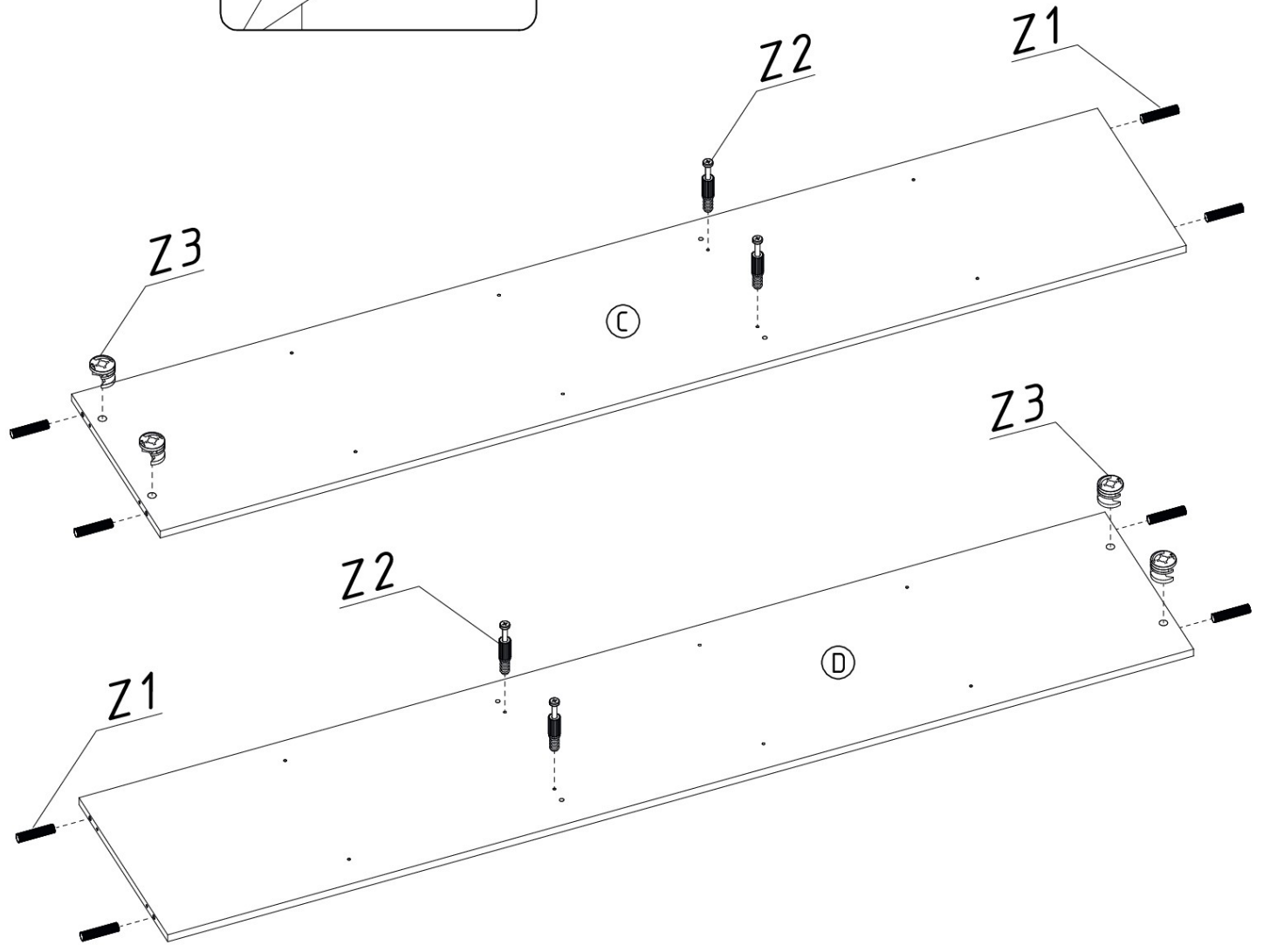
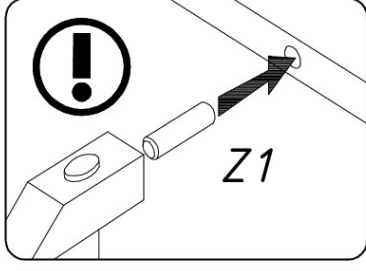
1

Z2  4 x	Z5 4x20  8 x	Z10  4 x
Z1 ø8x30  4 x	Z3 ø15x12  4 x	

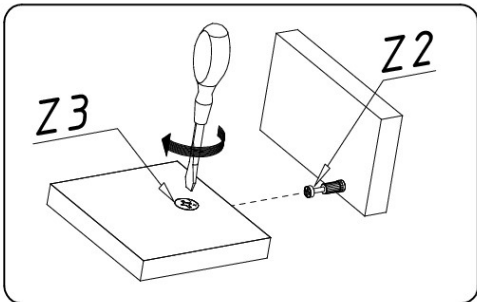
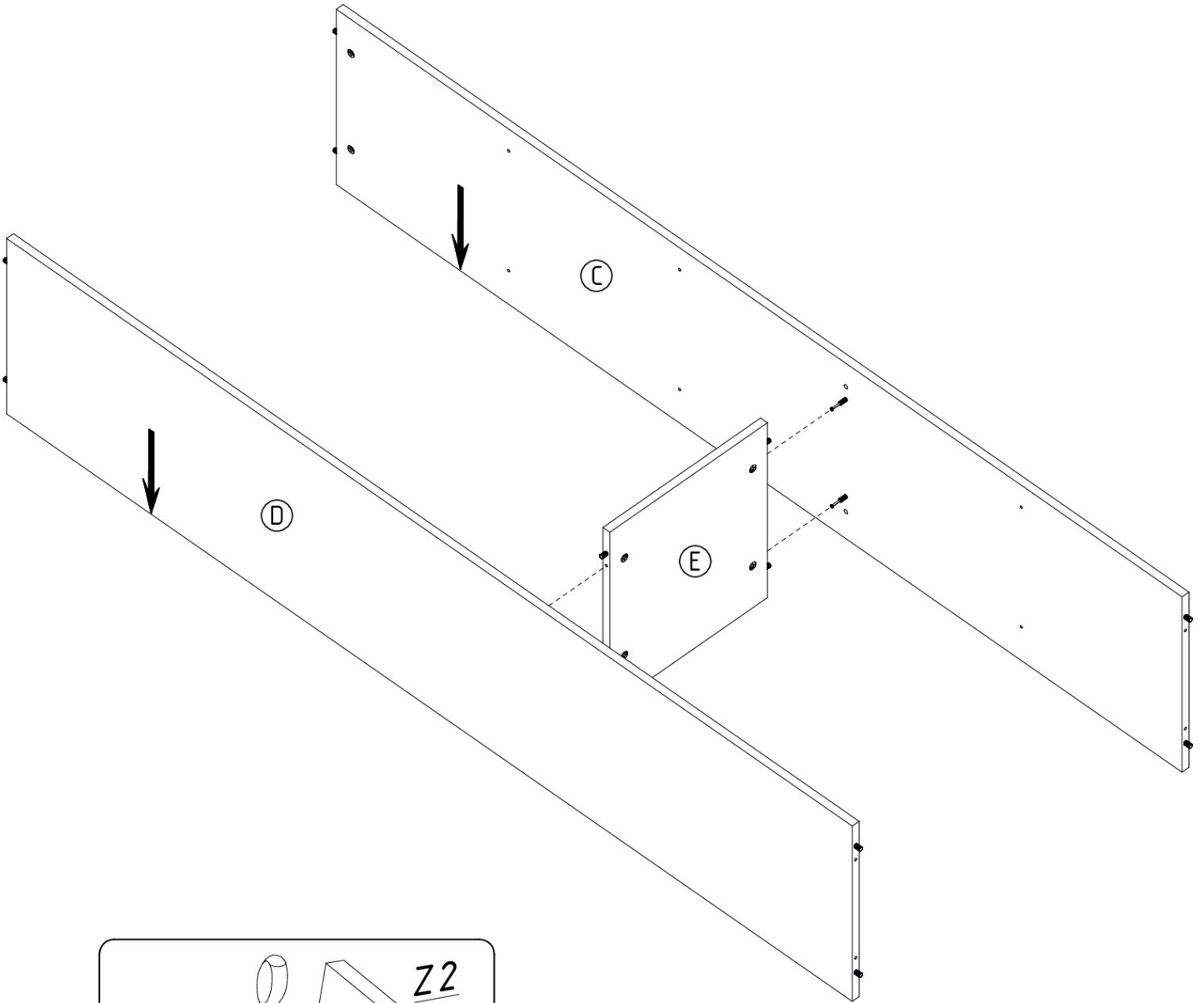


2

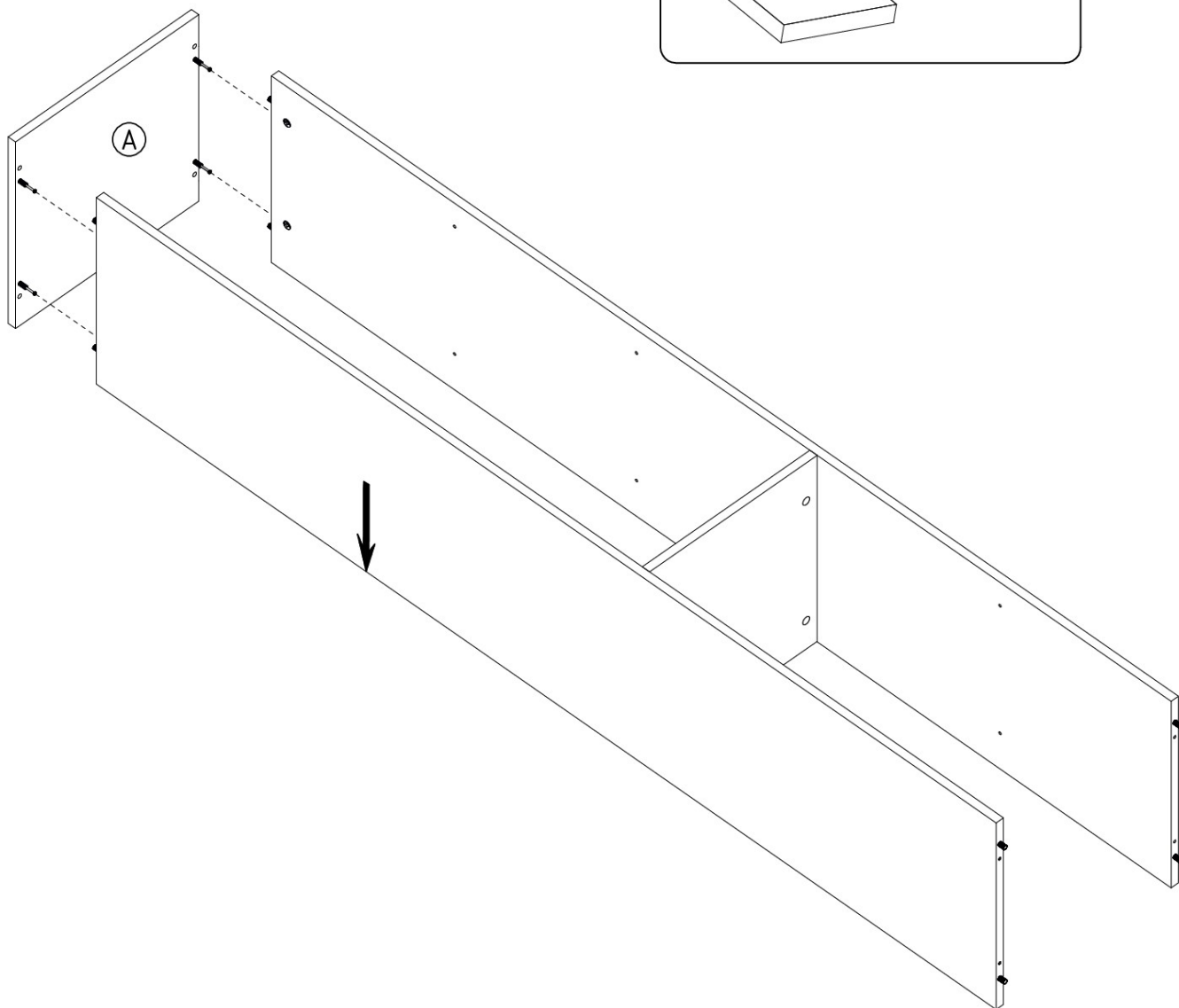
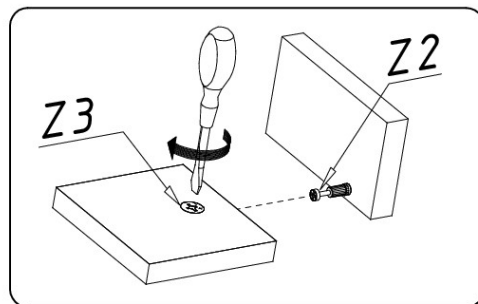
Z2		Z1		Z3	
4 x	$\phi 8 \times 30$	8 x	$\phi 15 \times 12$	4 x	




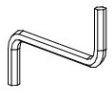
3

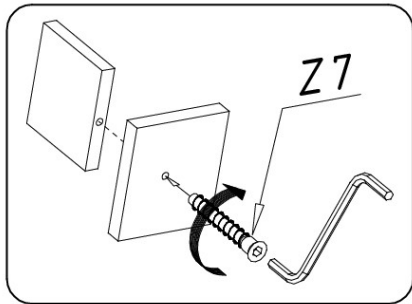
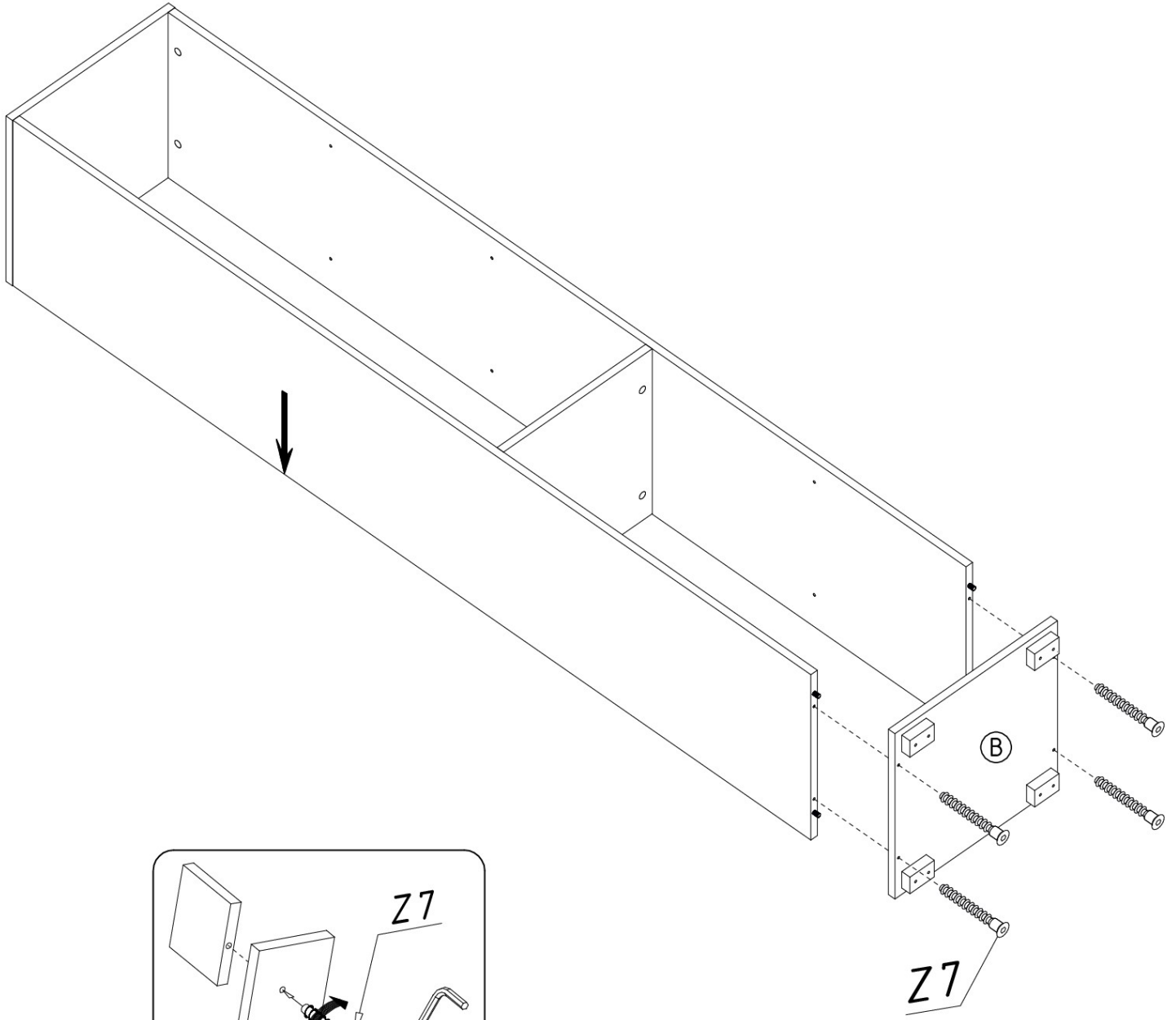


4



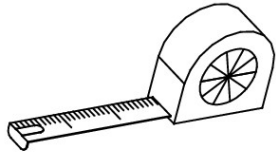
5

Z7	
6.3x50	4 x
Z8	
	1 x

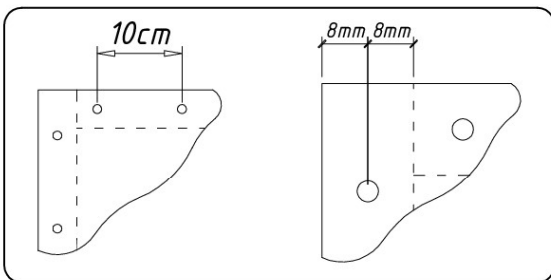
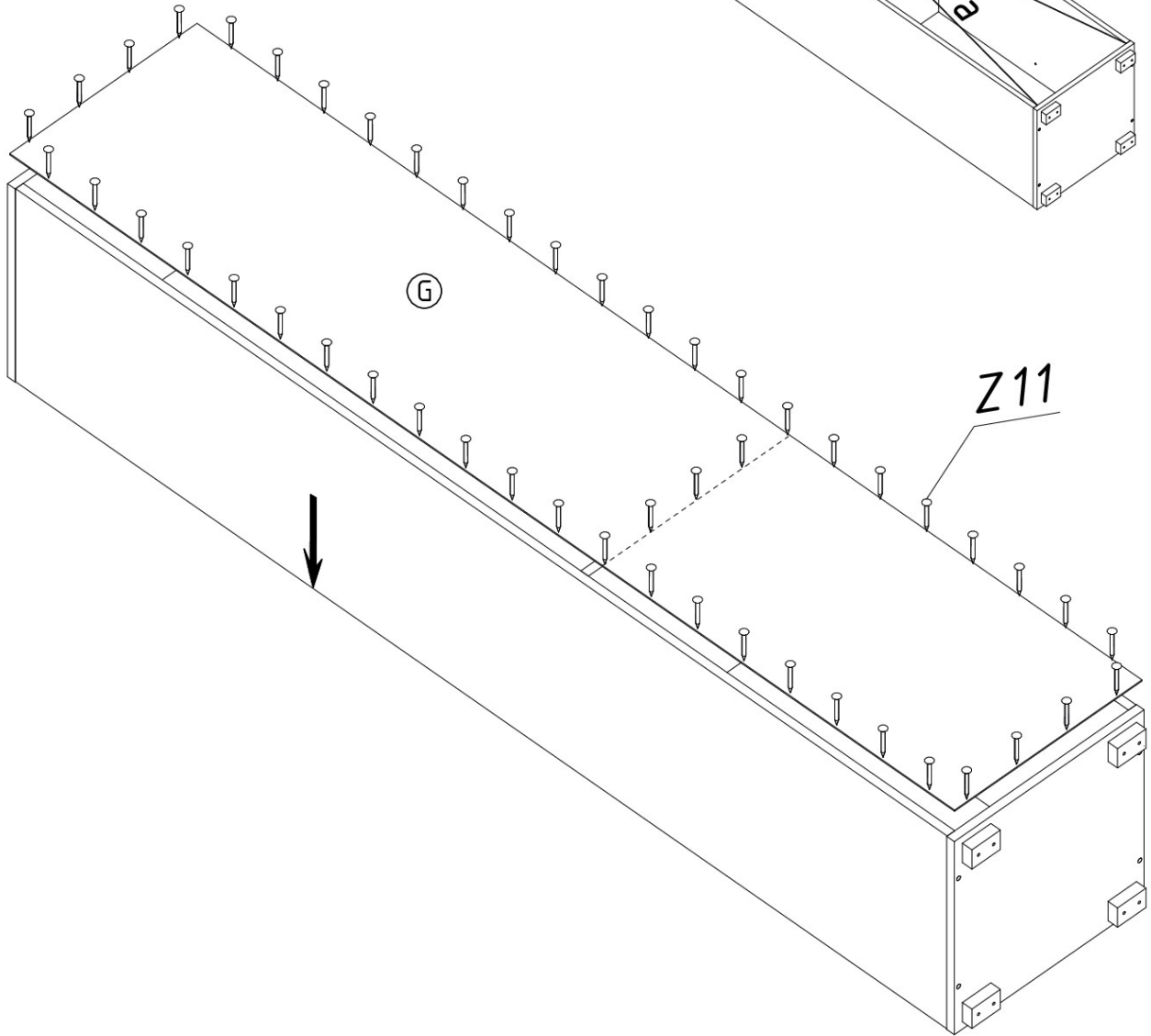
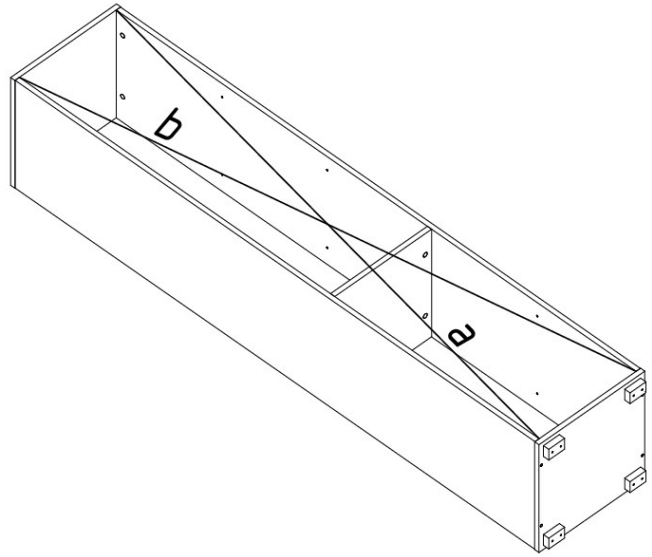


6

Z11
2x20 50x



$a=b$



7

Z4



12 x

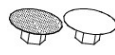
φ16

Z12



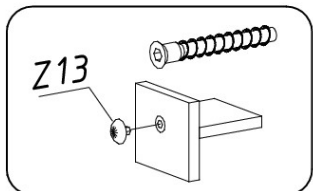
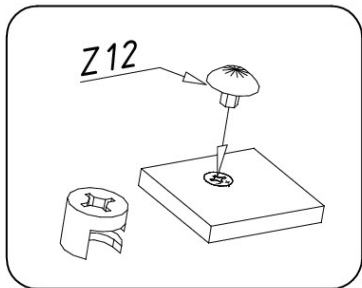
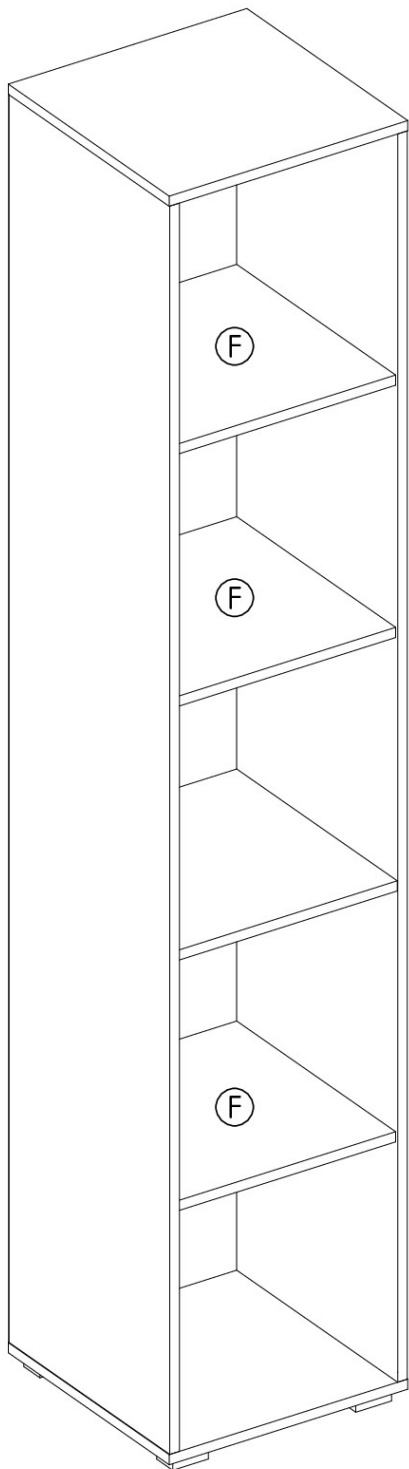
8 x

Z13

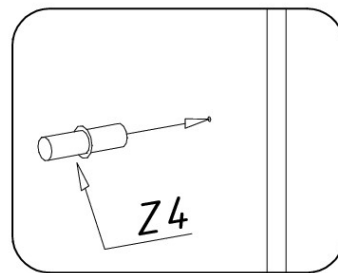


4 x

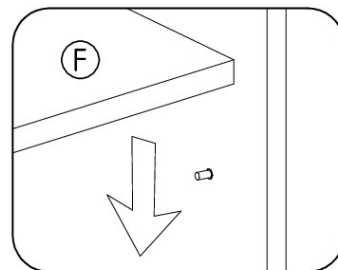
φ12



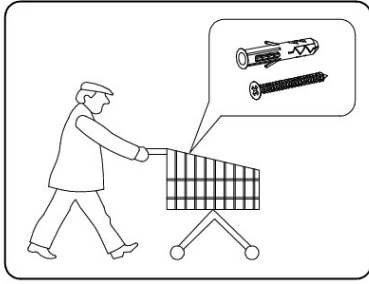
1



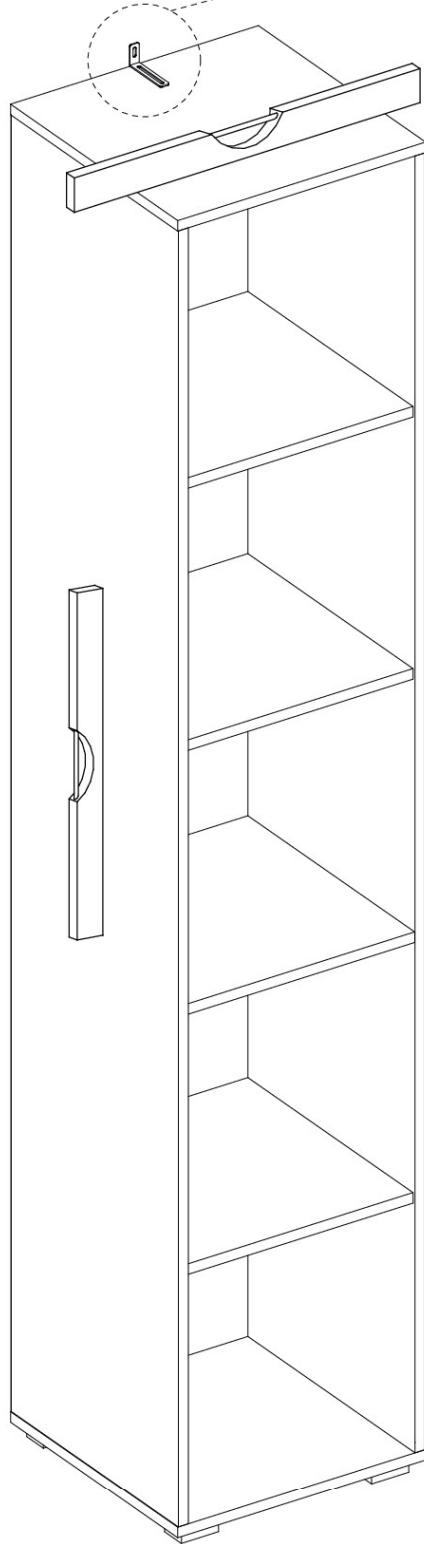
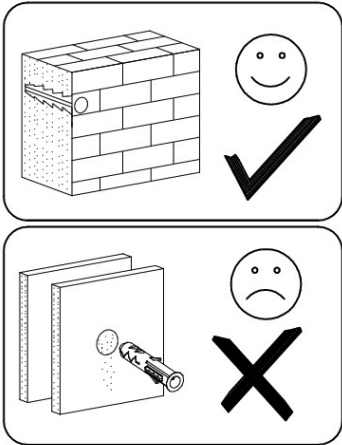
2



8



Z6		Z9	
3.5x16	2x		1x



1. Attach the Z9 bracket to the top edge of the shelf using two Z6 screws. (80% complete)
2. Insert the shelf support pin into the Z9 bracket.
3. Use a power drill to tighten the Z6 screws.
4. Insert the shelf support pin into the Z9 bracket.
5. Tighten the Z6 screws with a power drill.
6. Final tightening of the Z6 screws. (100% complete)