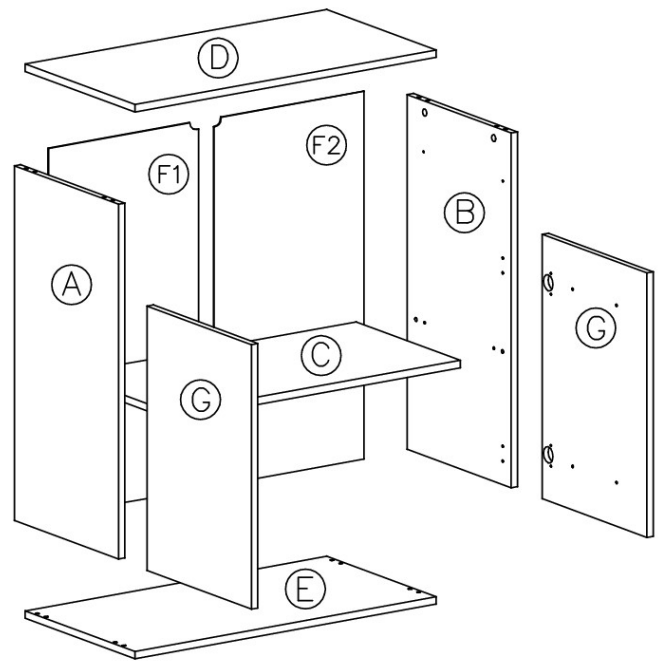
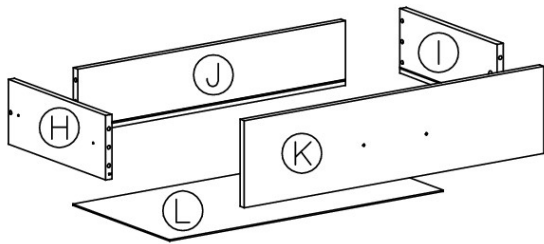
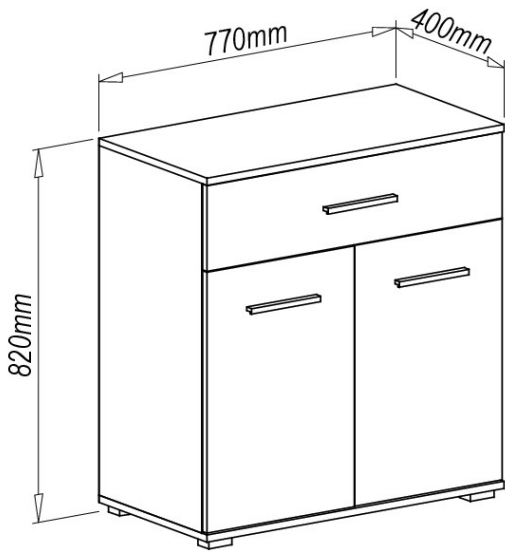


LIMA KM-1






HALMAR

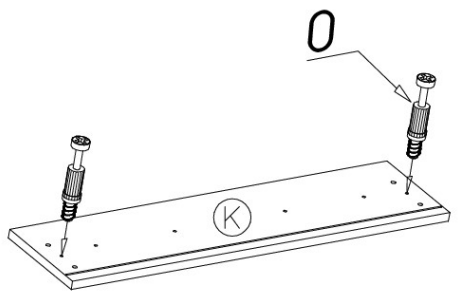
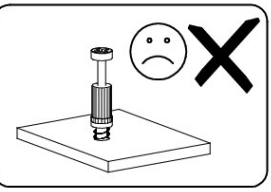
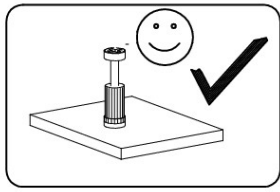
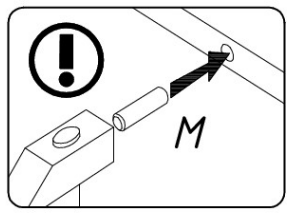
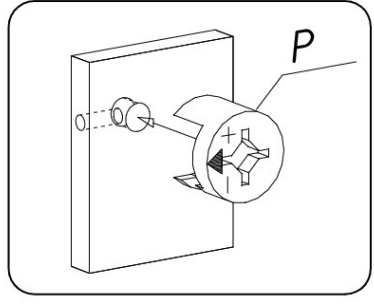
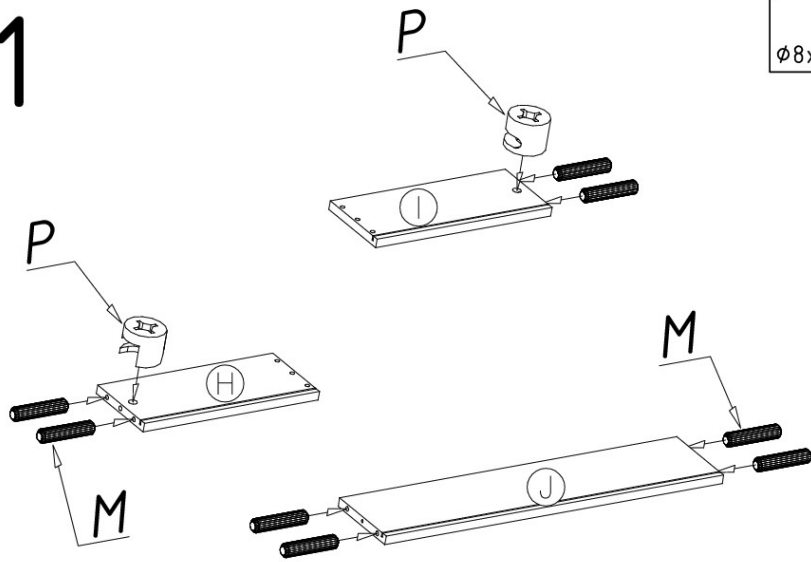
HALMAR Sp. z o.o., ul. Centralnego Okręgu Przemysłowego 2,
37-450 Stalowa Wola, POLSKA / POLAND
tel. + 48 15 843 28 10, fax: +48 15 842 19 57, e-mail: office@halmar.com.pl





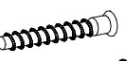
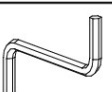
M ø8x30 20x	N 6.3x50 6x	O 10x	P ø15x12 10x	R 2x20 30x
S 4x	T 3.5x16 8x	U+W 4x	Z L=350 1x	Z1 3.5x16 10x
Z2 190mm 3x	Z3 4x30 6x	Z4 4x	Z5 4x20 8x	Z6 ø16 6x
Z7 ø12 6x	Z8 1x	Z9 1x	Z10 1x	

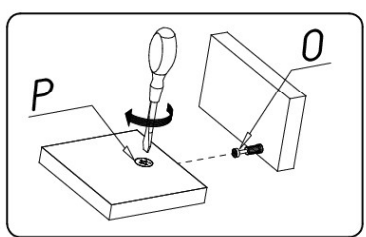
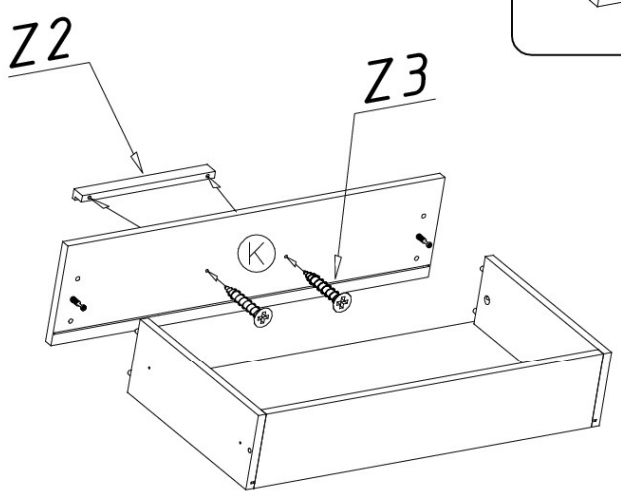
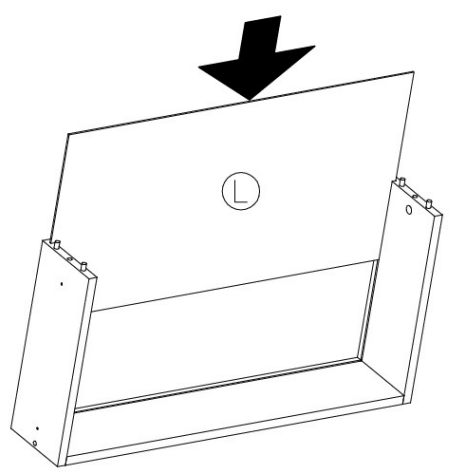
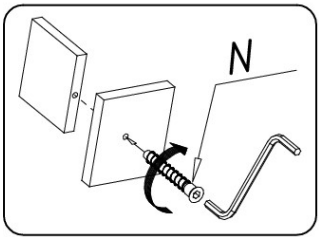
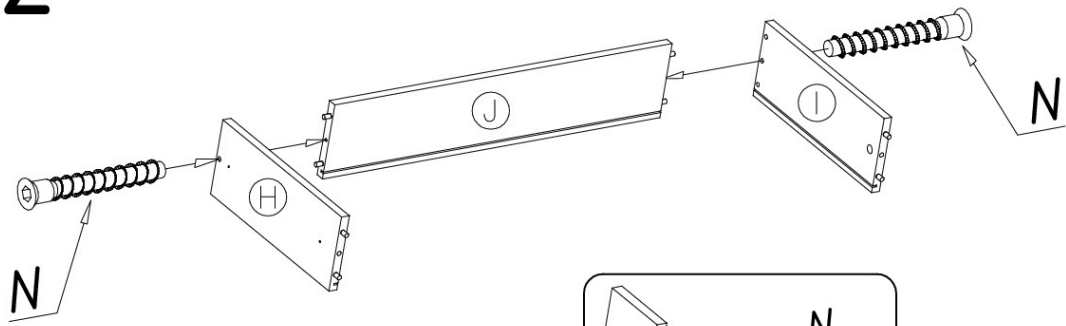
1

M		Ø8x30	8x	O		2x	P		2x	Ø15x12
---	---	-------	----	---	---	----	---	--	----	--------

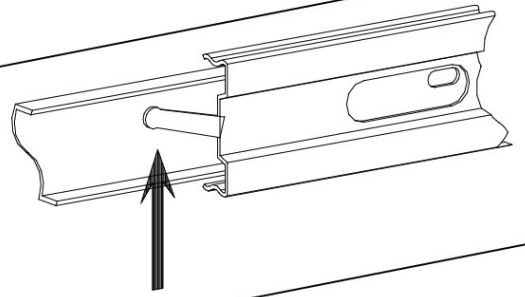
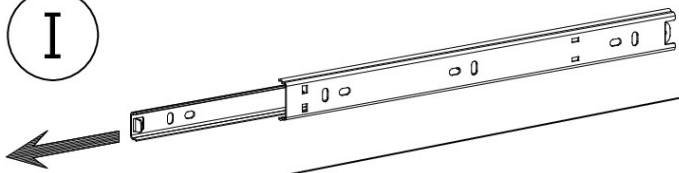


2

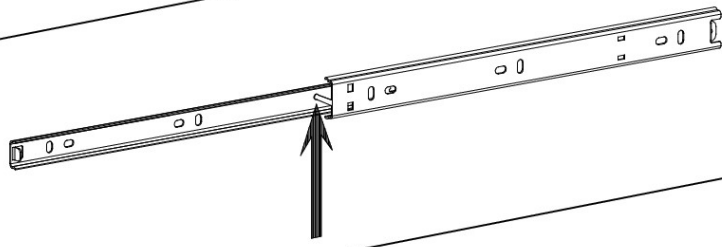
Z2		190mm	1x	Z3		4x30	2x
N		6.3x50	2x	Z8			1x



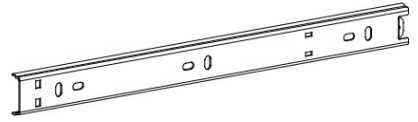
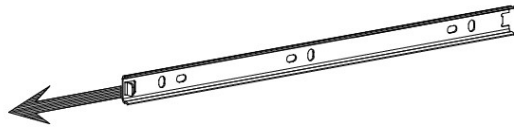
I



II



III



3

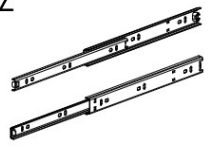
Z1



3.5x16

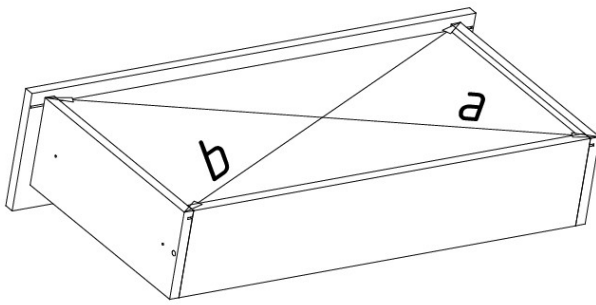
4 x

Z

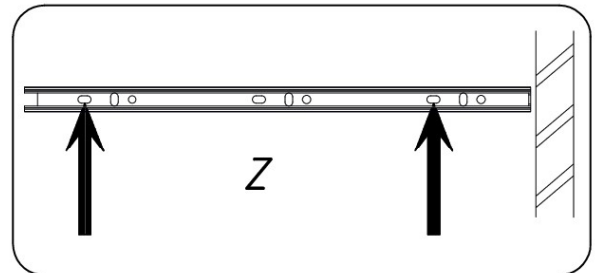
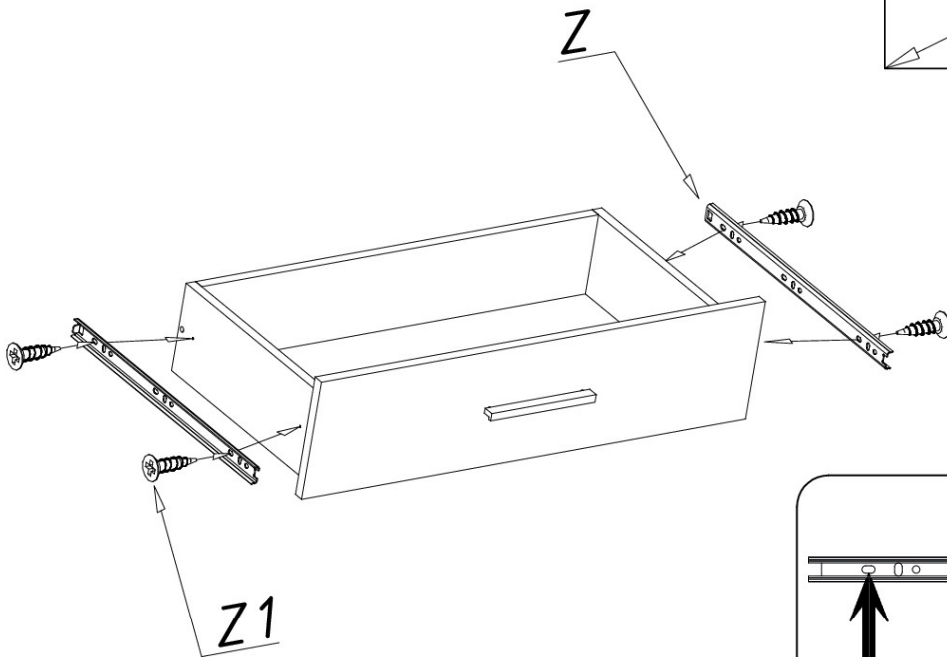
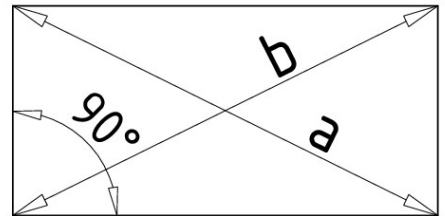
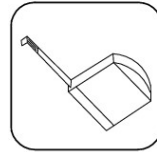


L=350

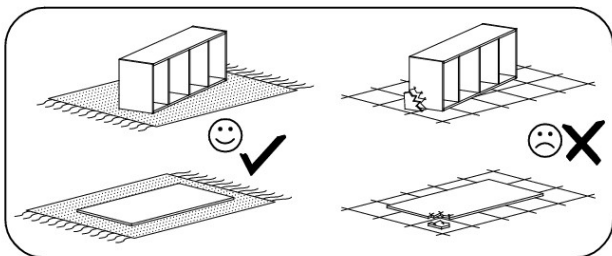
1x








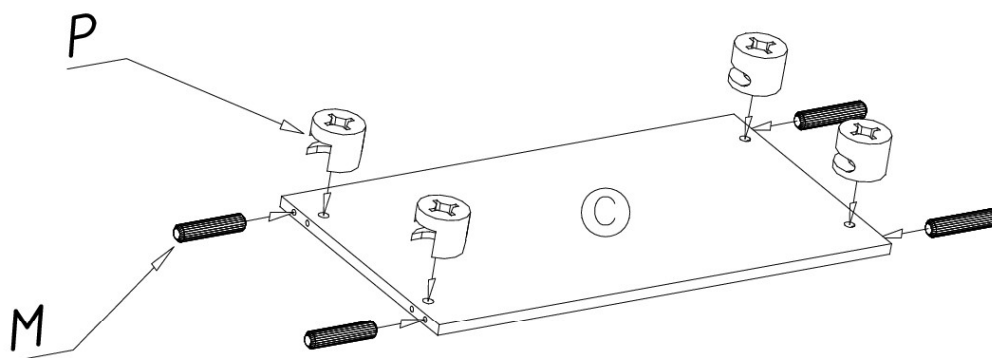
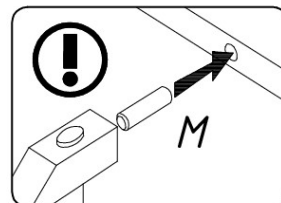
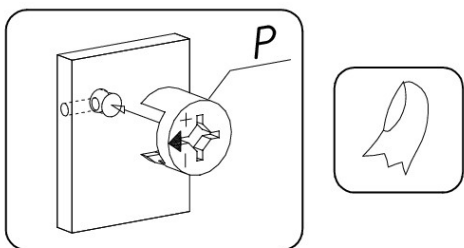
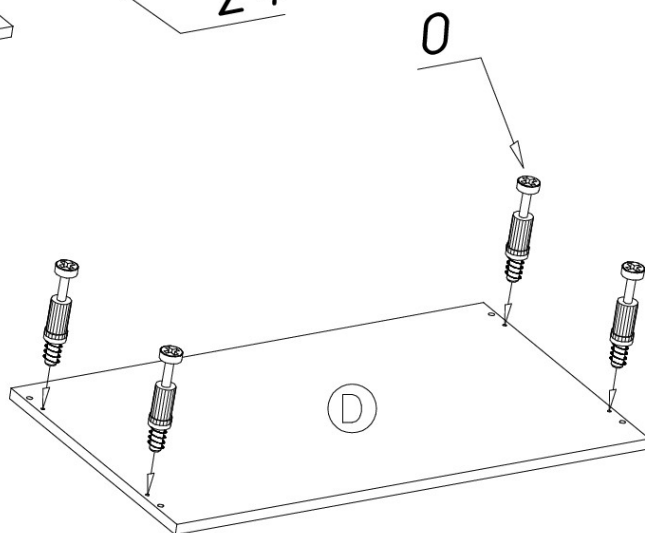
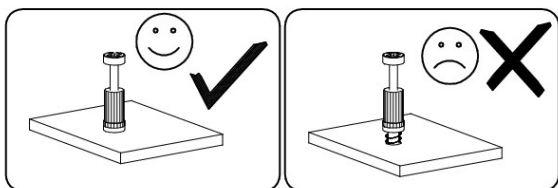
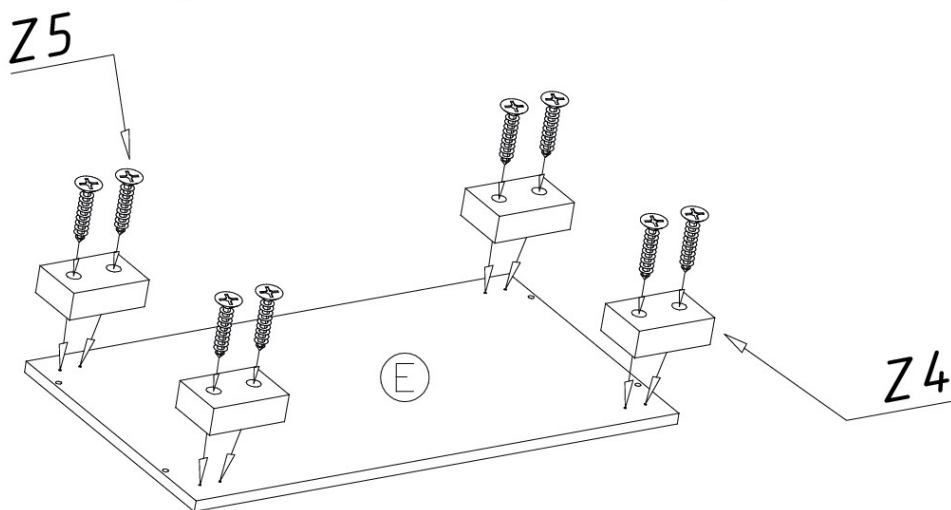
a=b



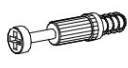



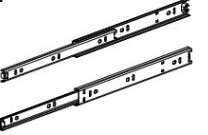

4

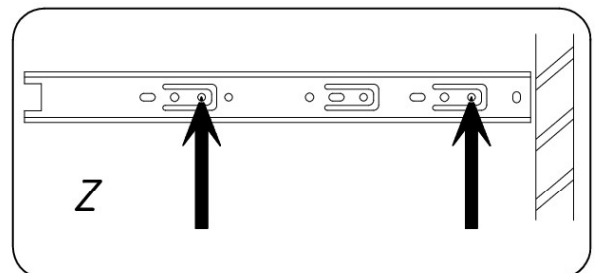
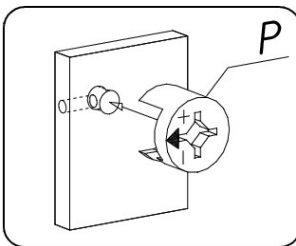
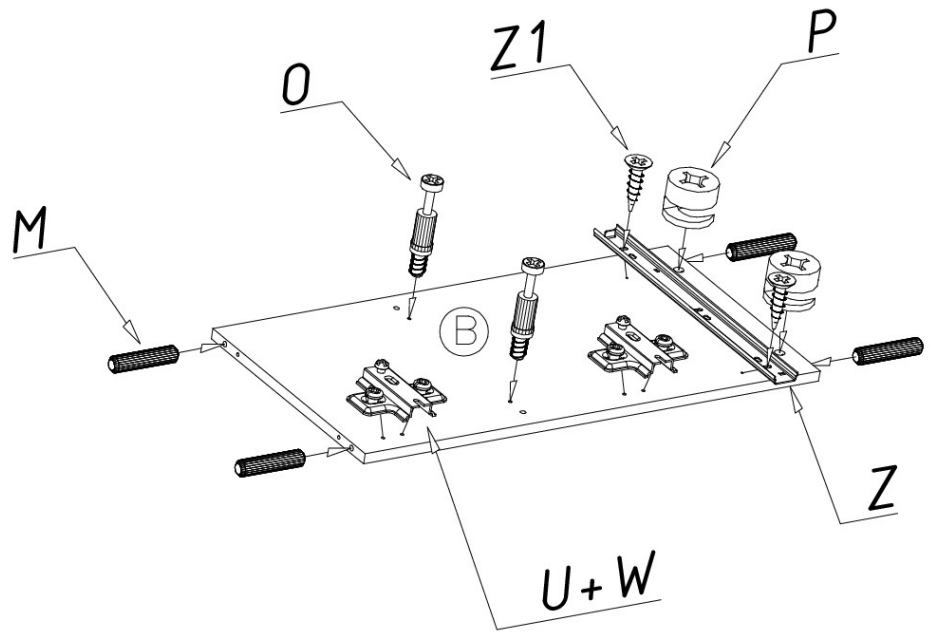
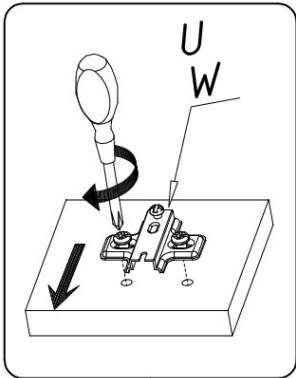
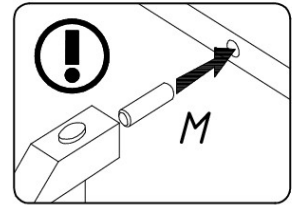
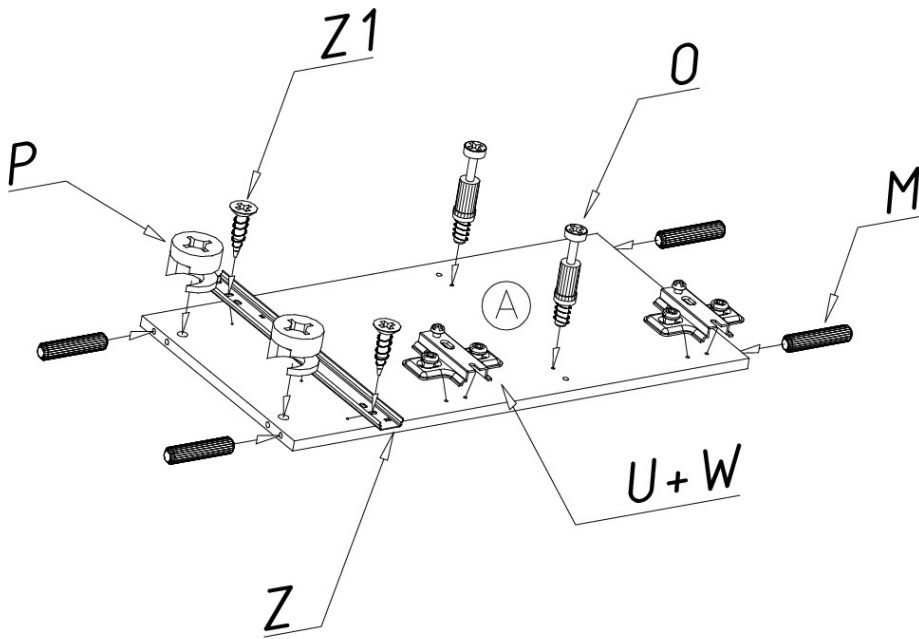


Z5 4x20	 8 x	Z4 4 x	 4 x
M φ8x30	 4 x	P φ15x12	 4 x
		O	 4 x

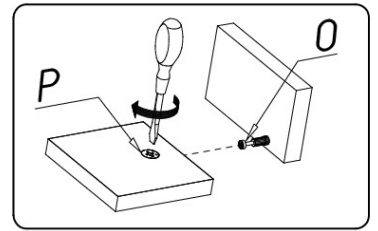
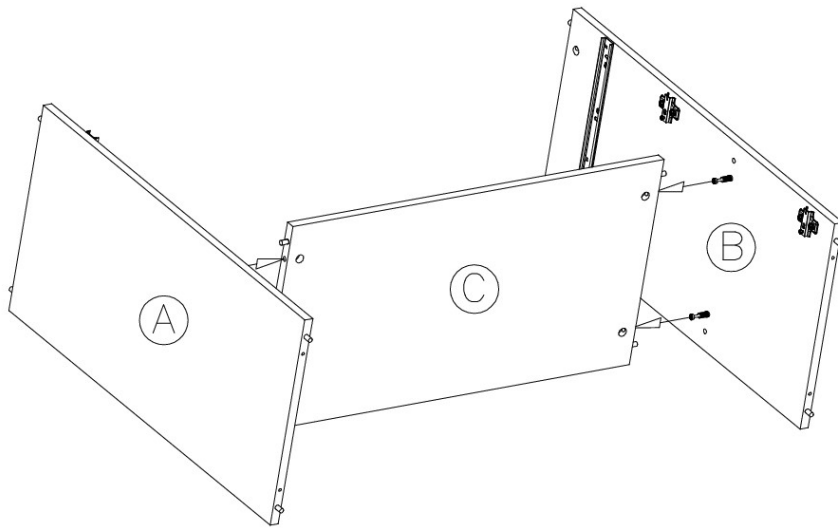


5

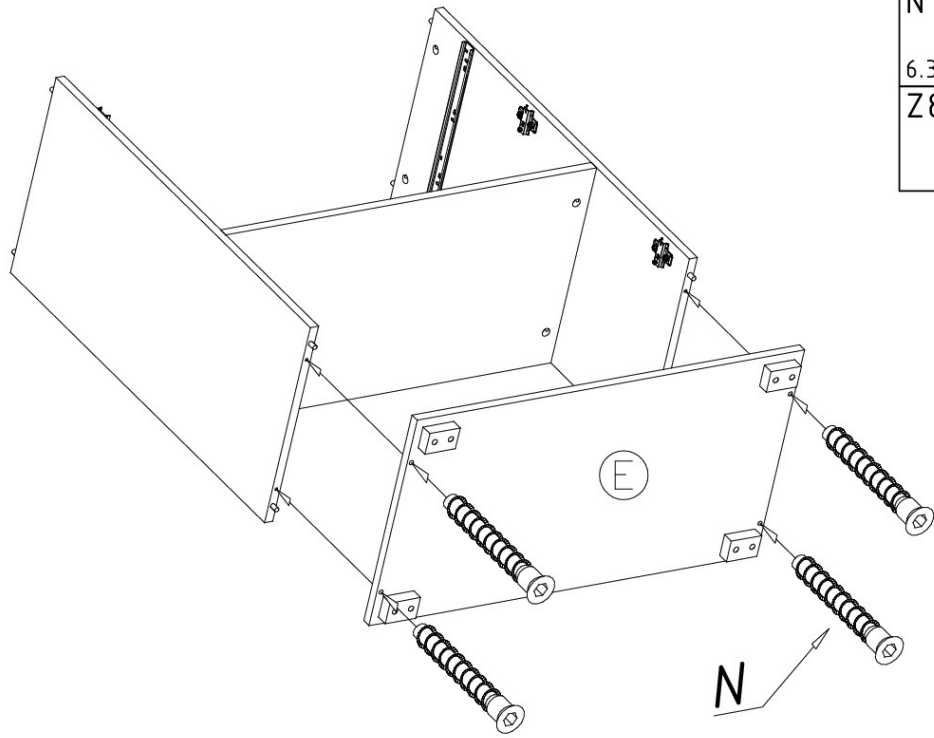
0	 4 x	M	 ø8x30 8 x	P	 ø15x12 4 x
		Z1	 3.5x16 4 x	Z	 L=350 1 x
		U+W	 4 x		

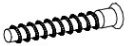



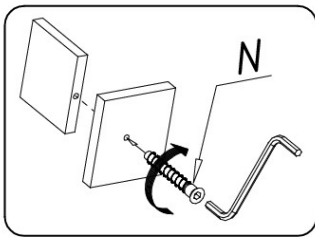
6



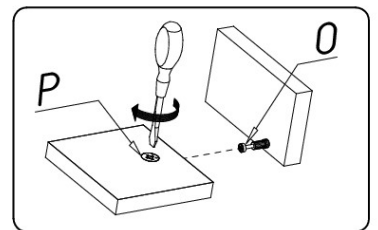
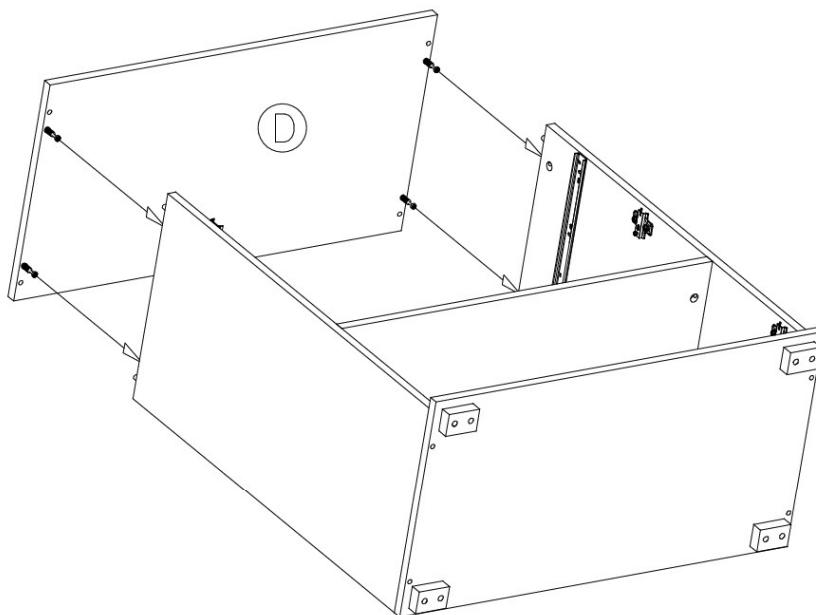
7





N		
6.3x50		4 x
Z8		1 x

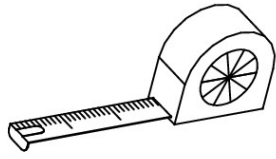


8

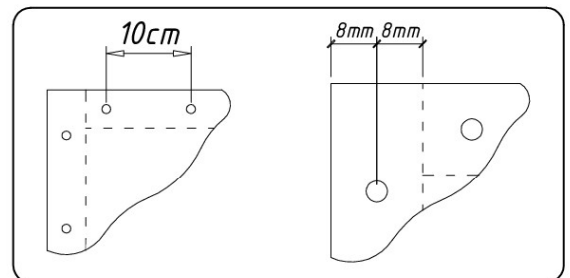
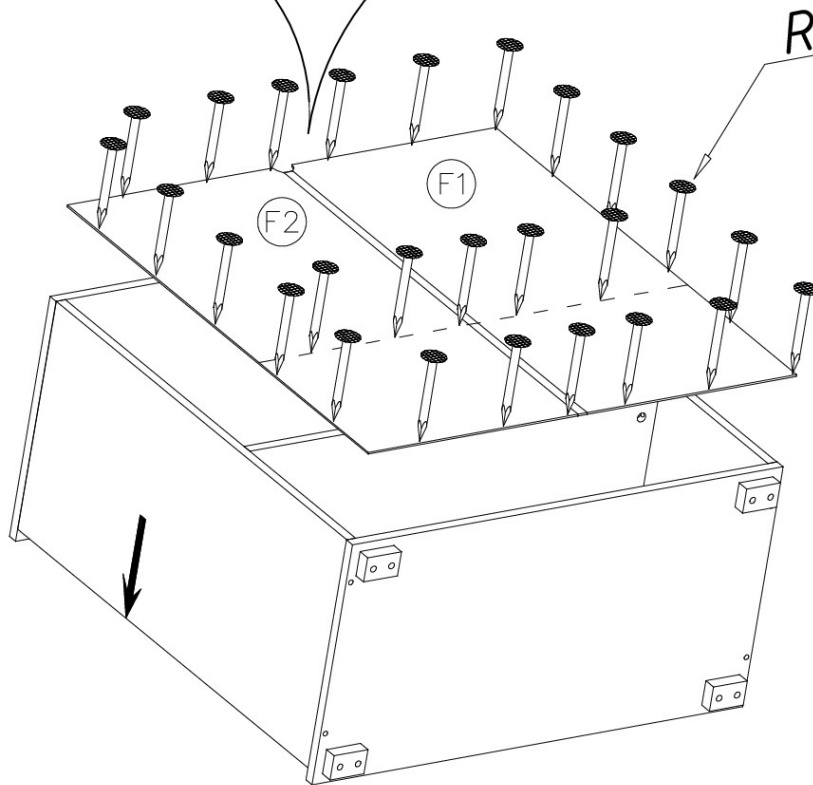
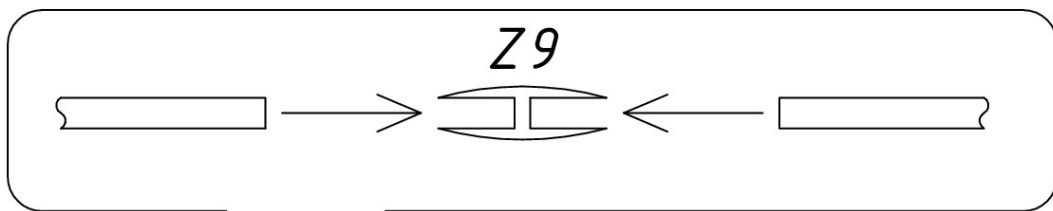
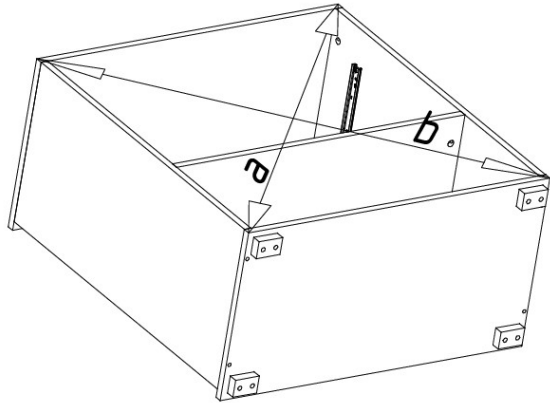


9



Z9	R
	
1x	2x20 30x

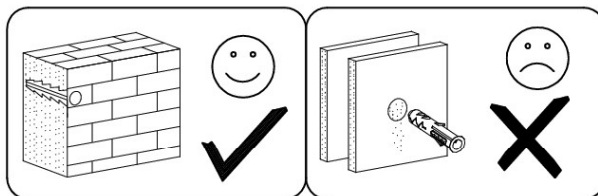
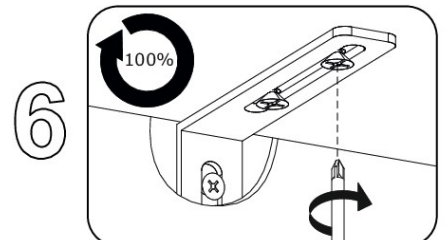
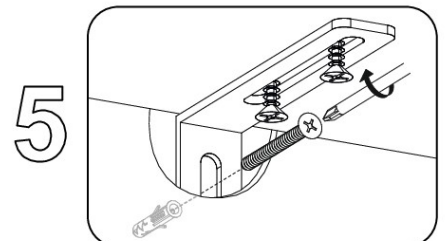
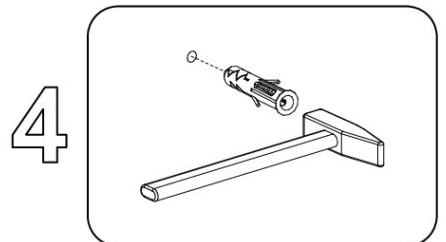
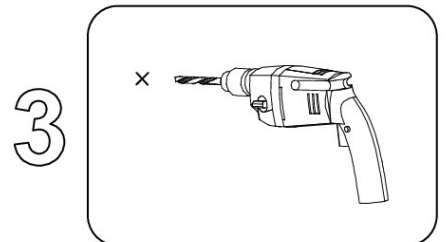
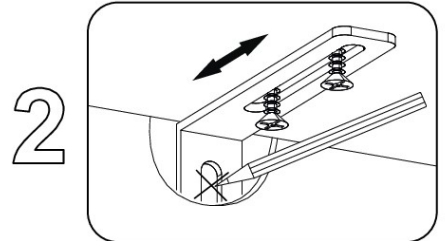
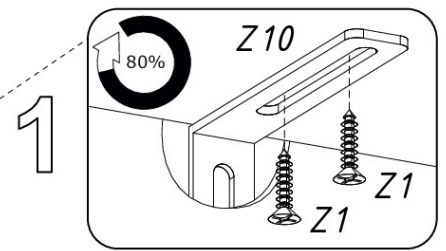
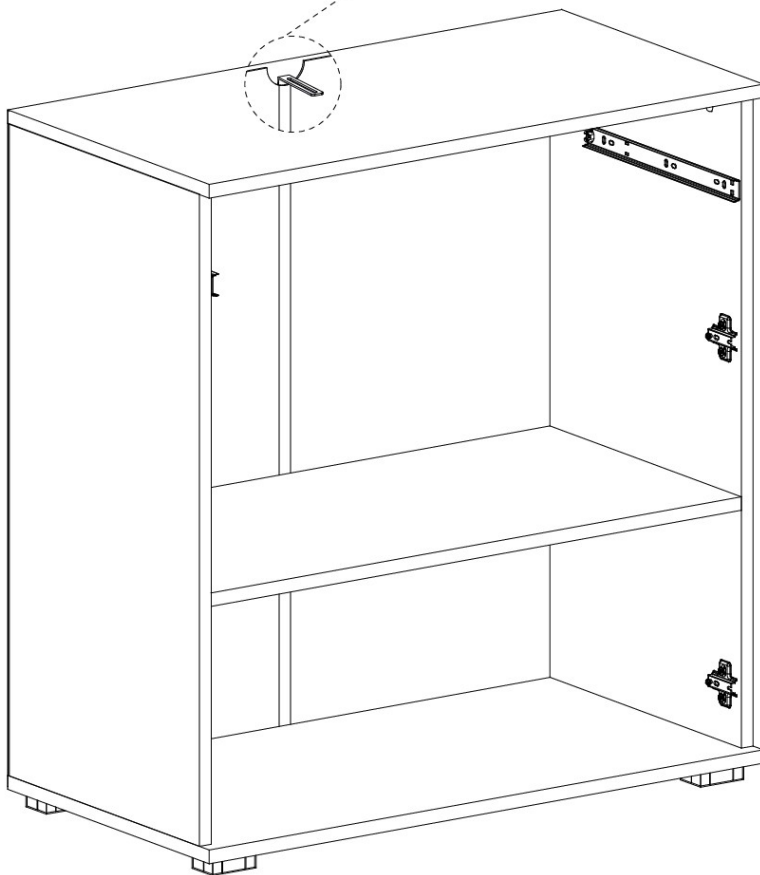
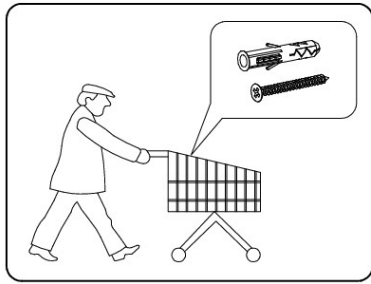


$a=b$

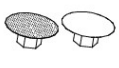
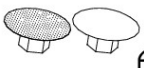


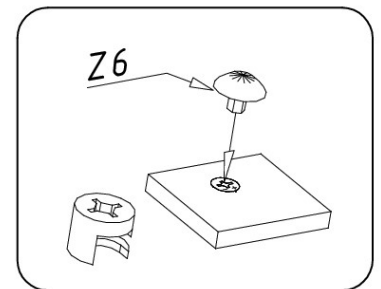
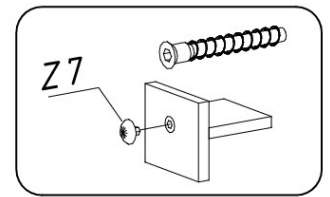
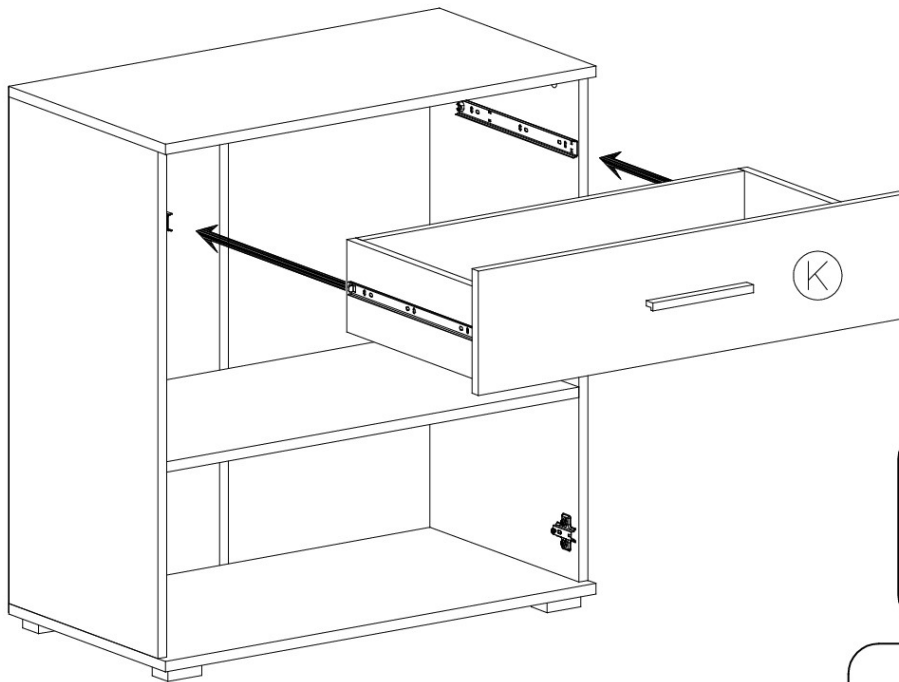
10

Z1		Z10	
3.5x16	2x		1x


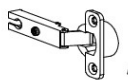


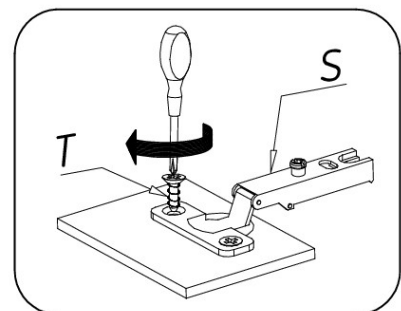
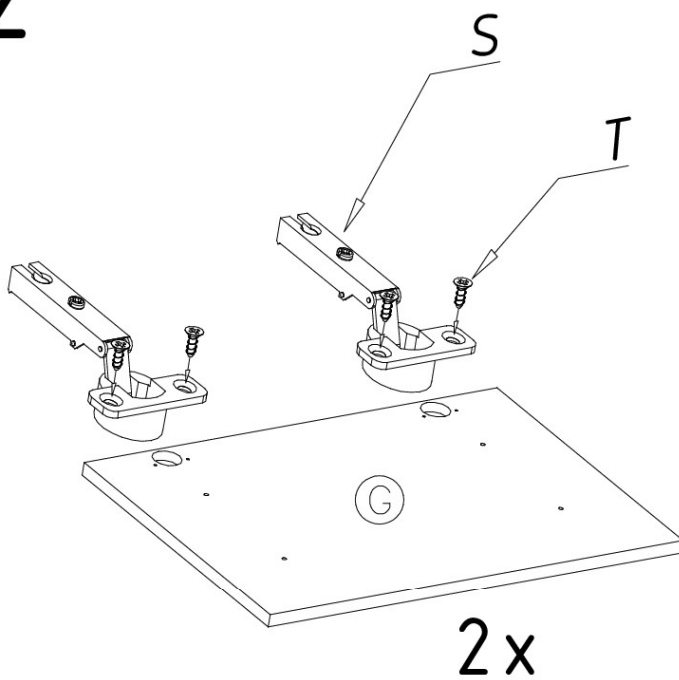
11

Z7		Z6			
φ12		6 x	φ16		6 x





12

T		S		
3.5x16		8 x		4 x



13

Z3		Z2	
4x30	4 x	190mm	2 x

