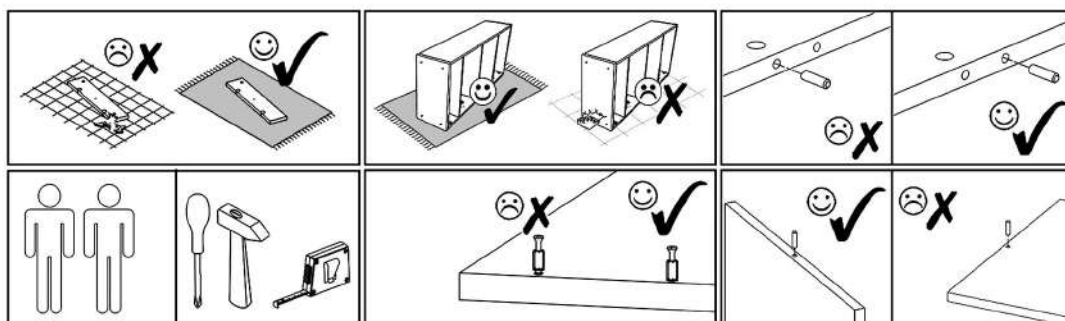
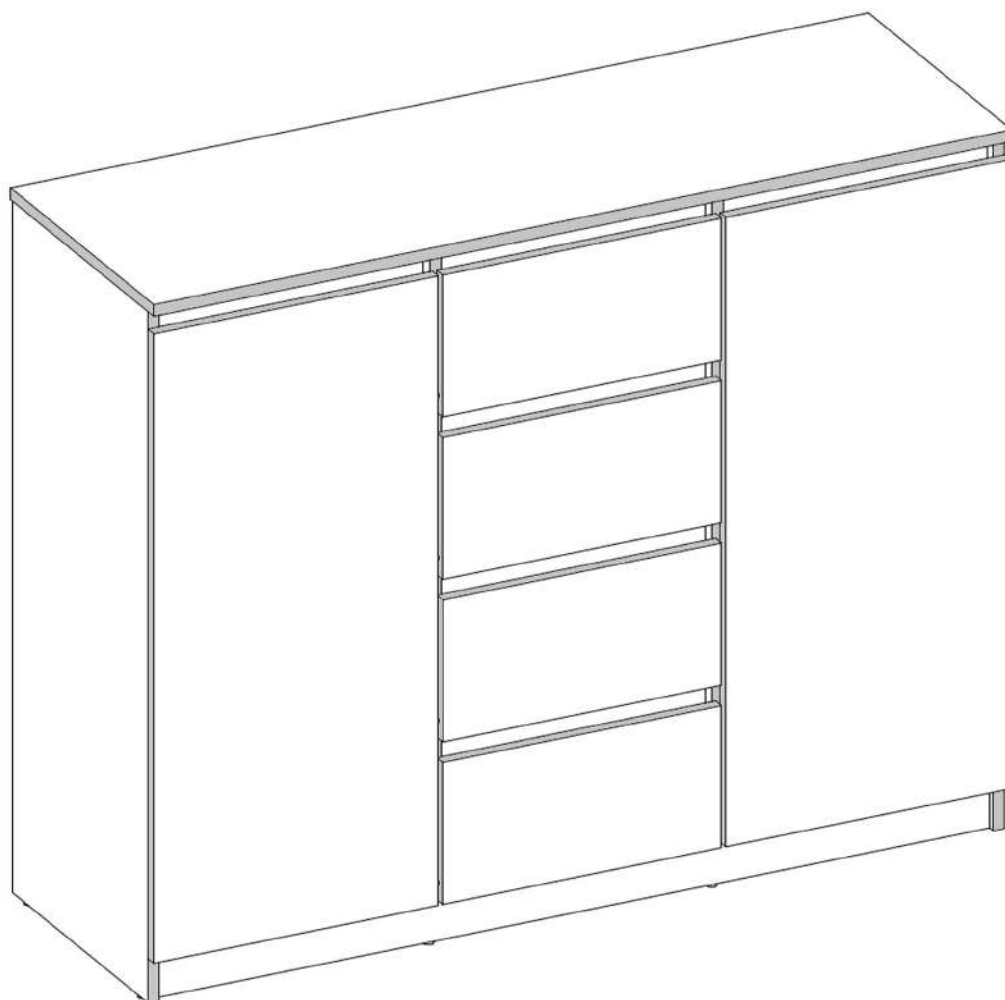

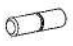






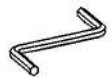





2D4S


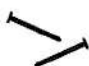





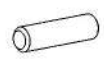
PRODUCTION DATE

PACKING CODE



S1  3,5x16mm x24	V16  5x16mm x8	A1  ZP x4	B1  ø17/4mm x8
---	--	---	--

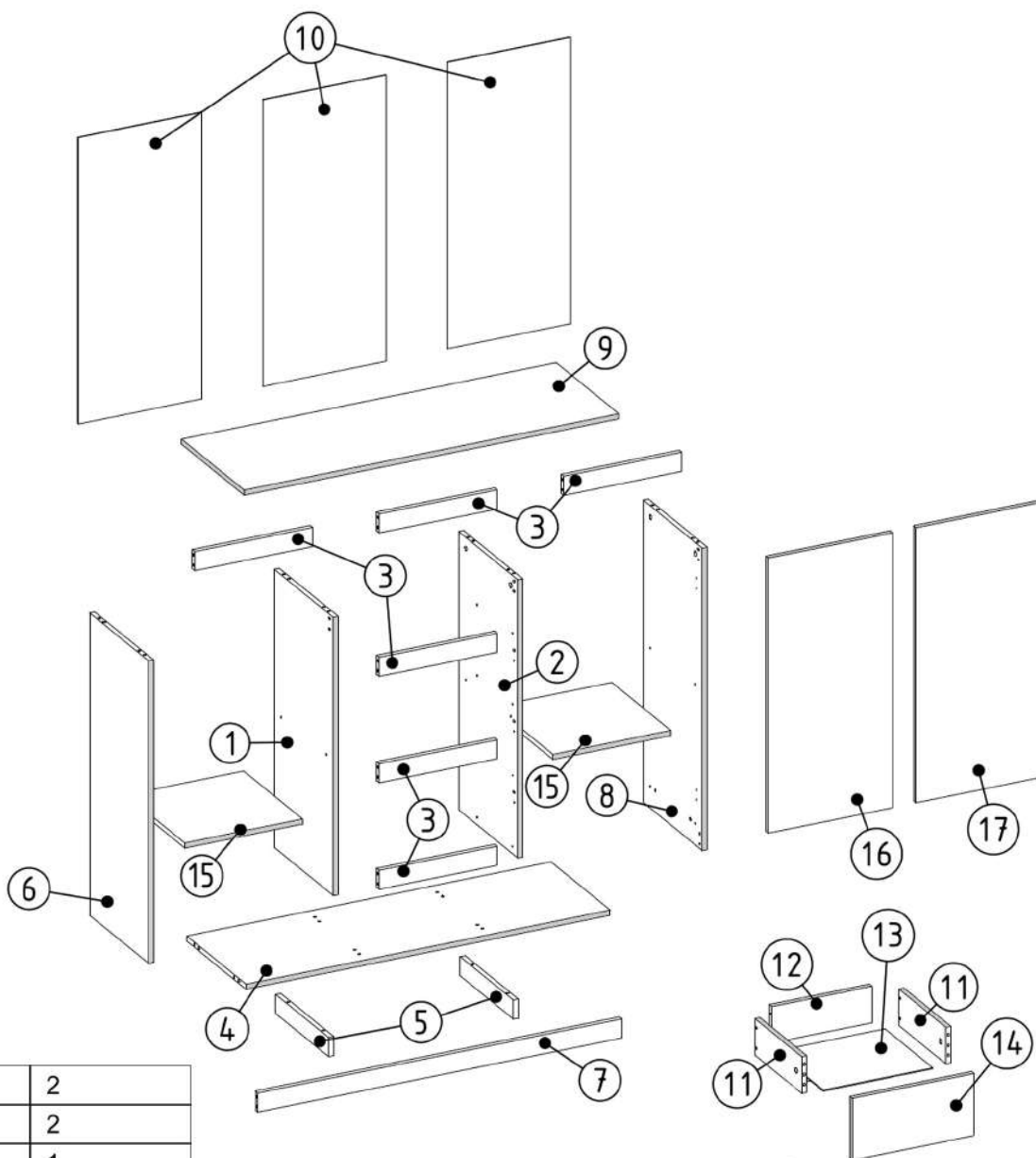
S6  2,5x20mm x10	F1  7x50mm x4	F3  Hex 4mm x1	N2  L=45mm x30	V15  x10	V12  x1	M1  12x15mm x34	Z2  x16
---	---	--	--	--	--	---	---

T1  x8	Z1  x80	P3  L=350mm x4	R1  6x8mm x16	E4  8x70mm x6	V13  x1	N6  L=82mm x2	E1  8x30mm x38
---	---	--	---	---	--	---	--





2D4S



PRODUCTION DATE

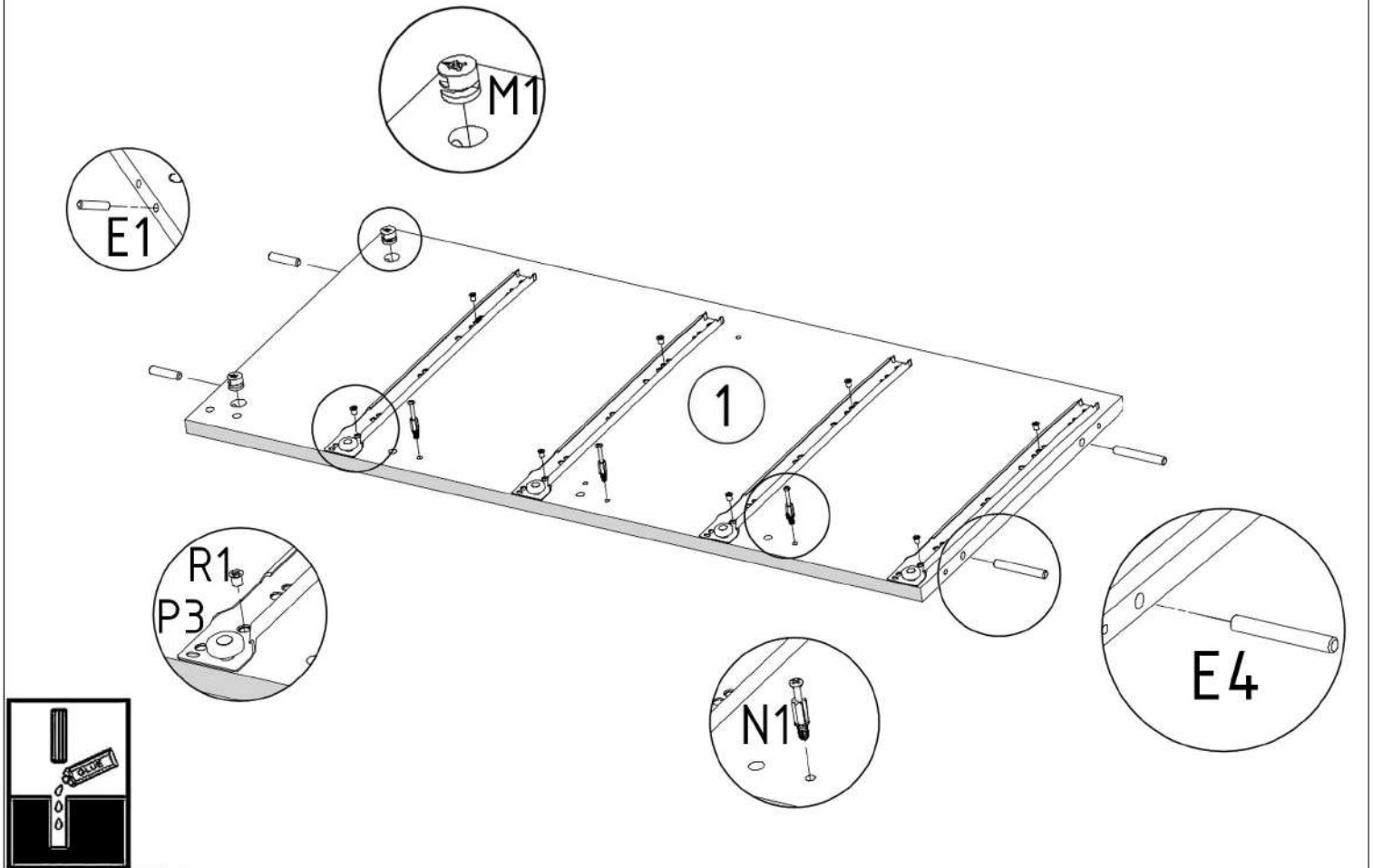
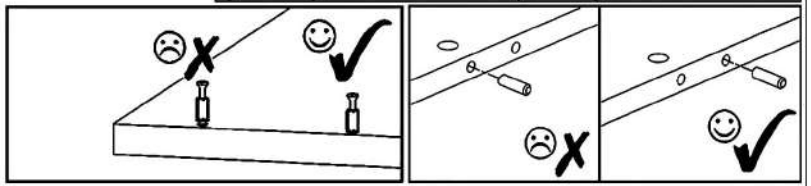
PACKING CODE



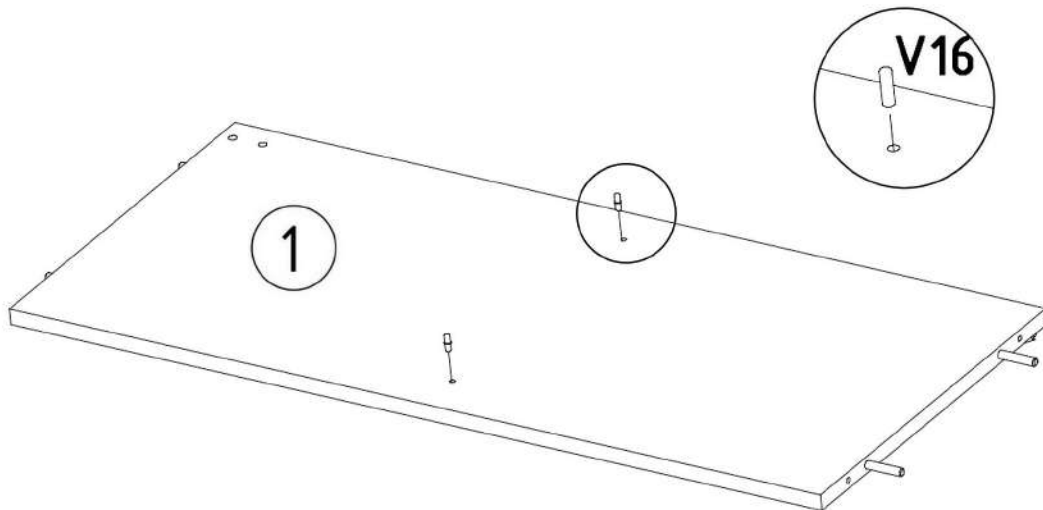
000081	16	2
000072	15	2
000075	14	1
000057	13	1
000039	12	1
000055	11	2
000217	10	3
000245	9	1
000278	8	1
000241	7	1
000277	6	1
000045	5	2
000242	4	1
000271	3	6
000206	2	1
000205	1	1
ID	NUMBER	QUANTITY





N2  L=45mm x3	M1  12x15mm x2	P3  L=350mm x4	R1  6x8mm x8
--	--	--	--



E1  8x30mm x2	E4  8x70mm x2
--	---

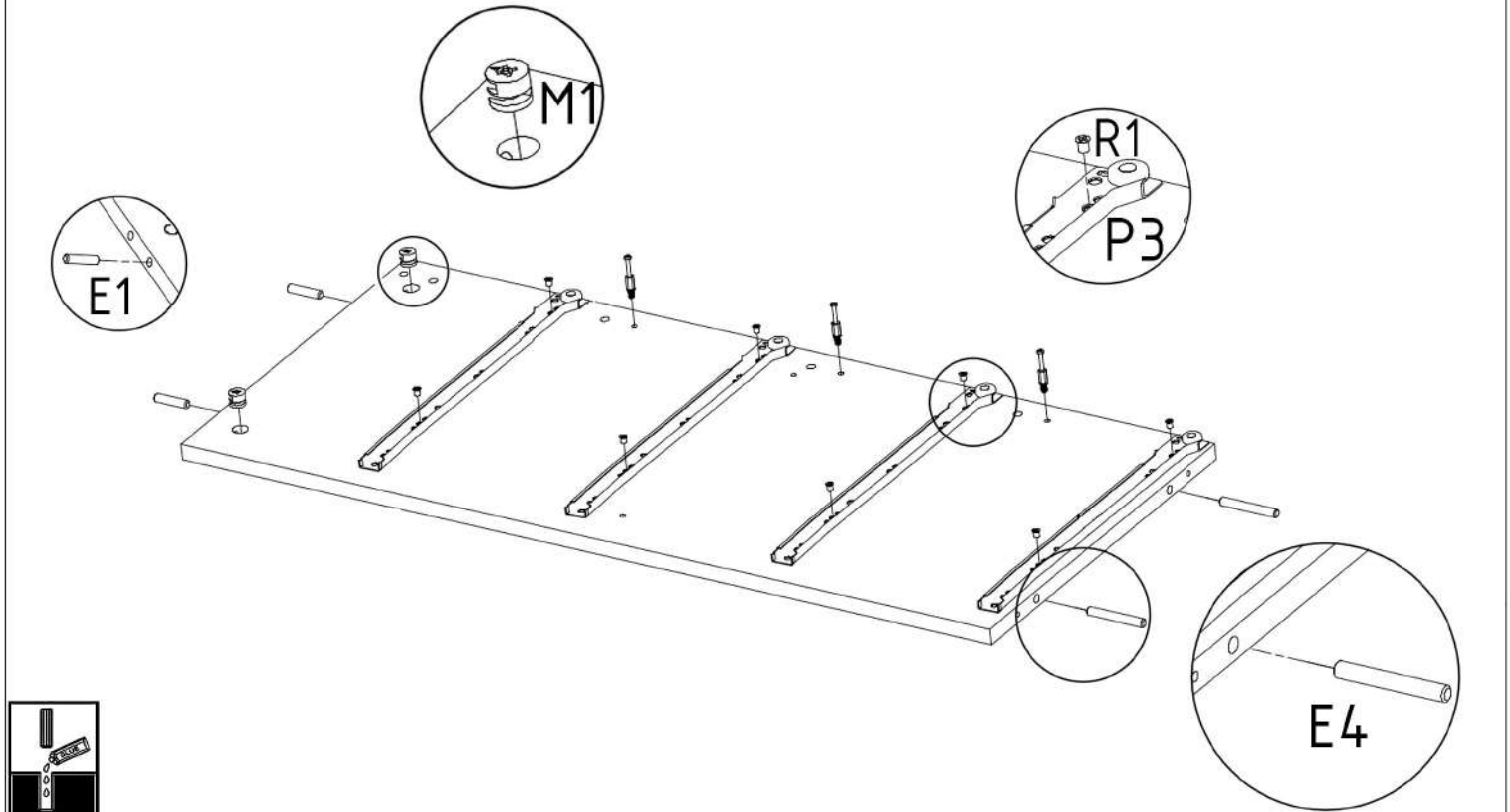
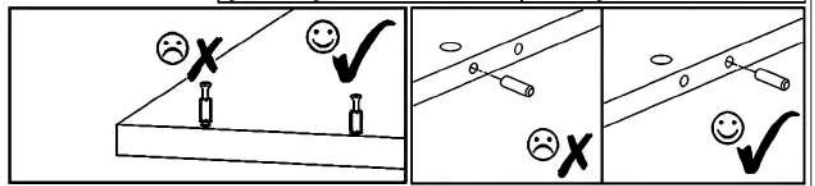


V16  5x16mm x2

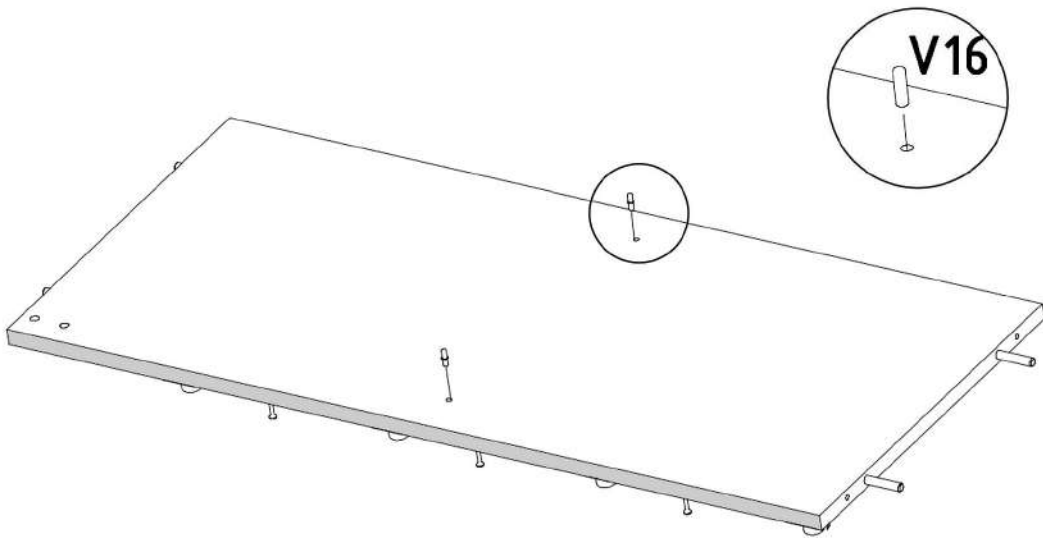


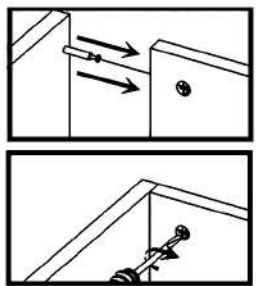
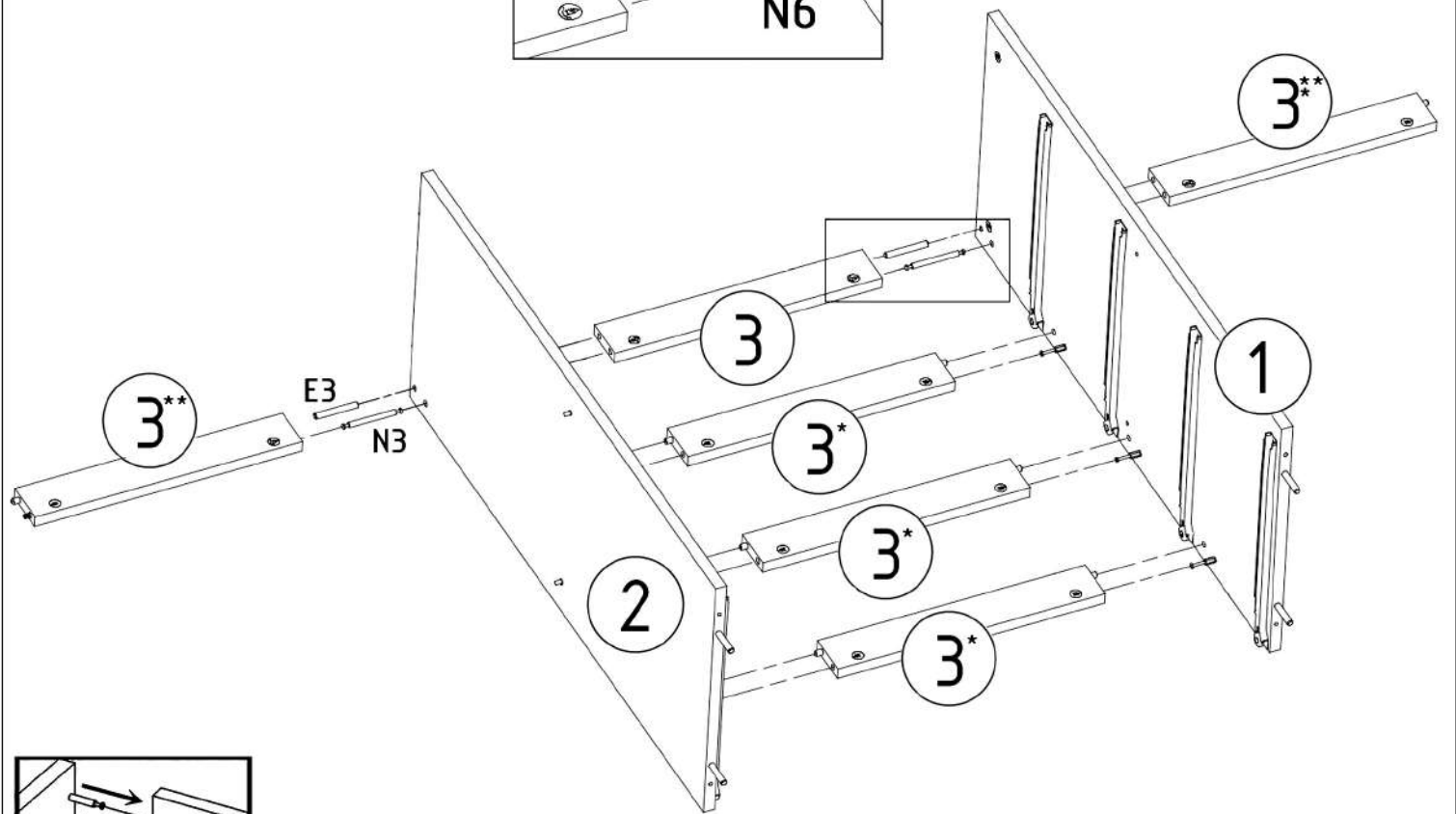
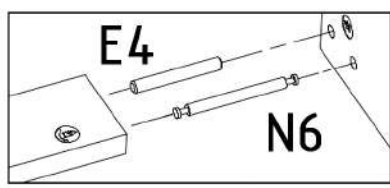
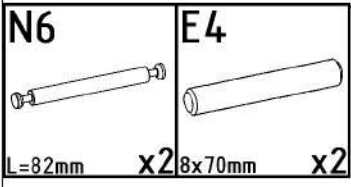
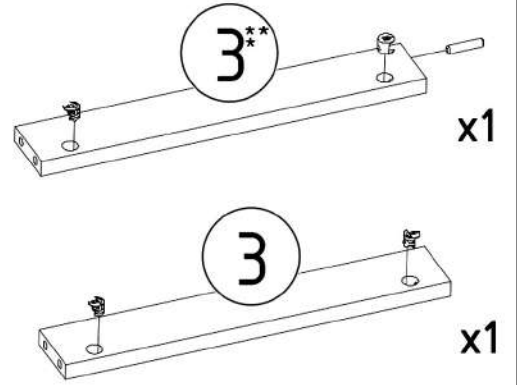
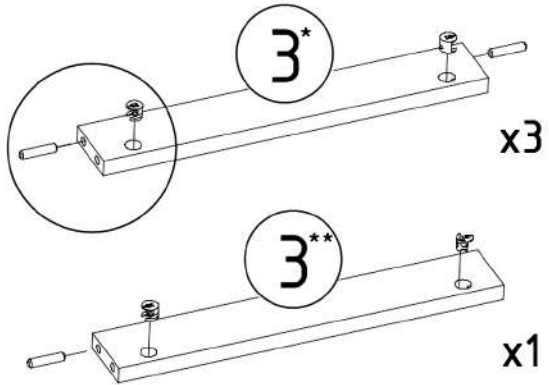
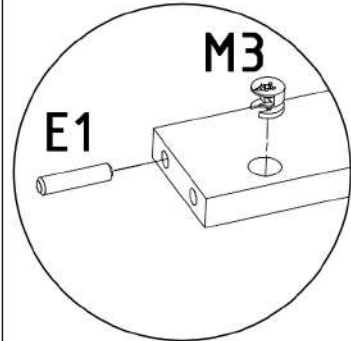
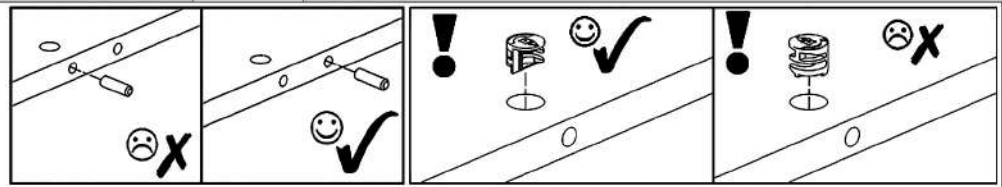
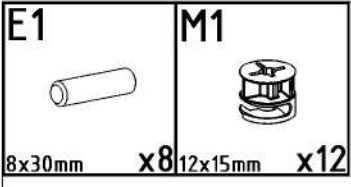
N2  L=45mm x3	M1  12x15mm x2	P3  L=350mm x4	R1  6x8mm x8
--	--	--	--

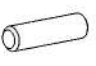

E4  8x70mm x2	E1  8x30mm x2
--	---

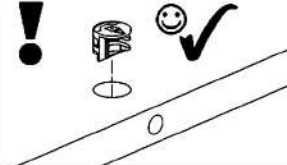




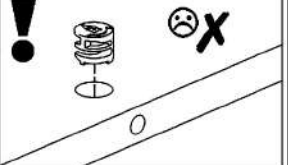





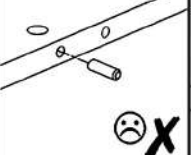


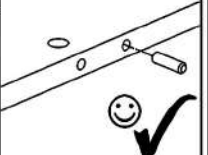


V16  5x16mm x2

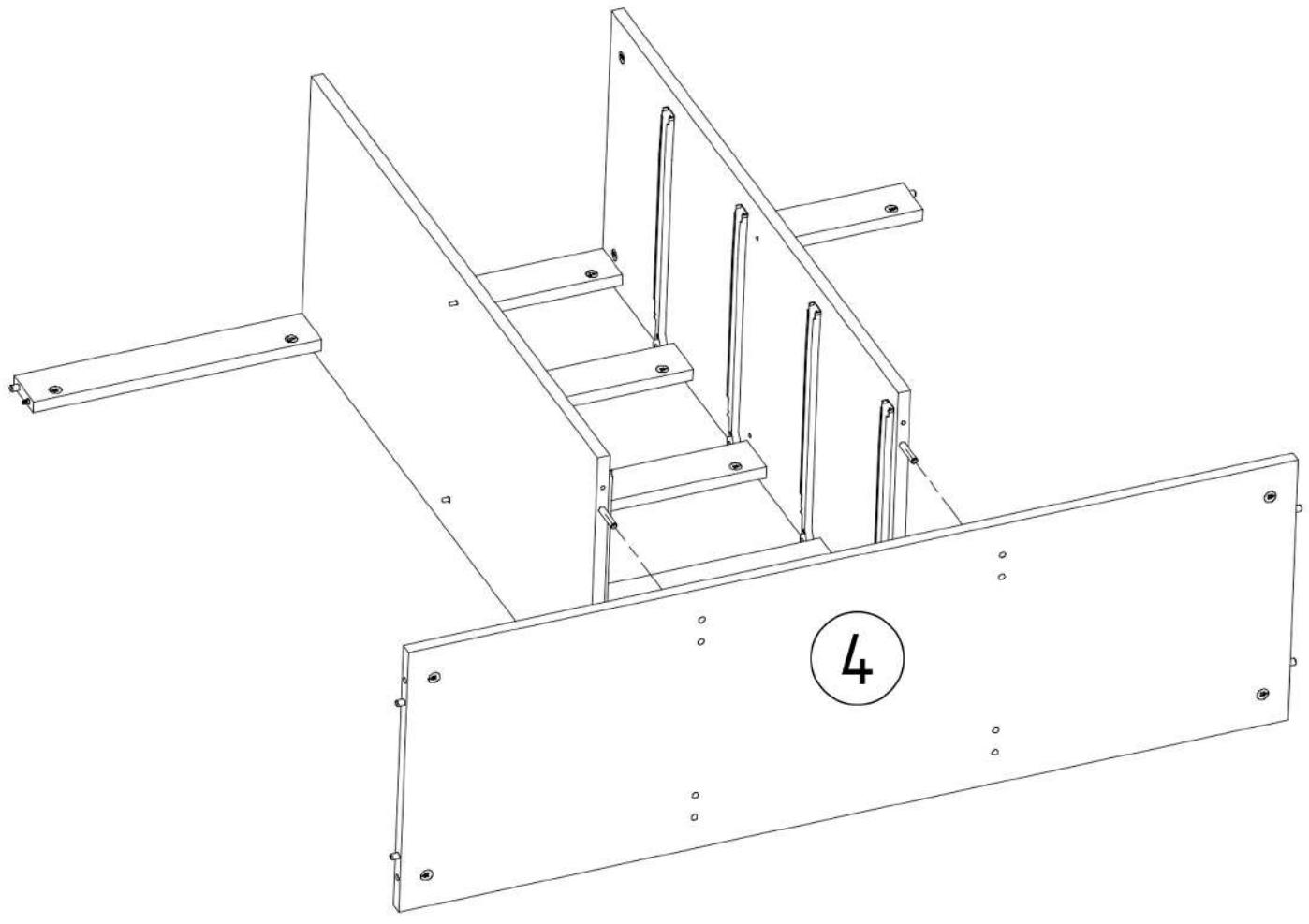
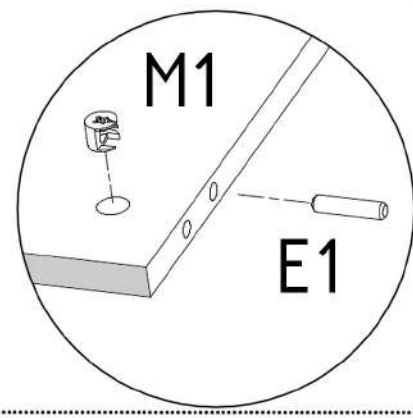
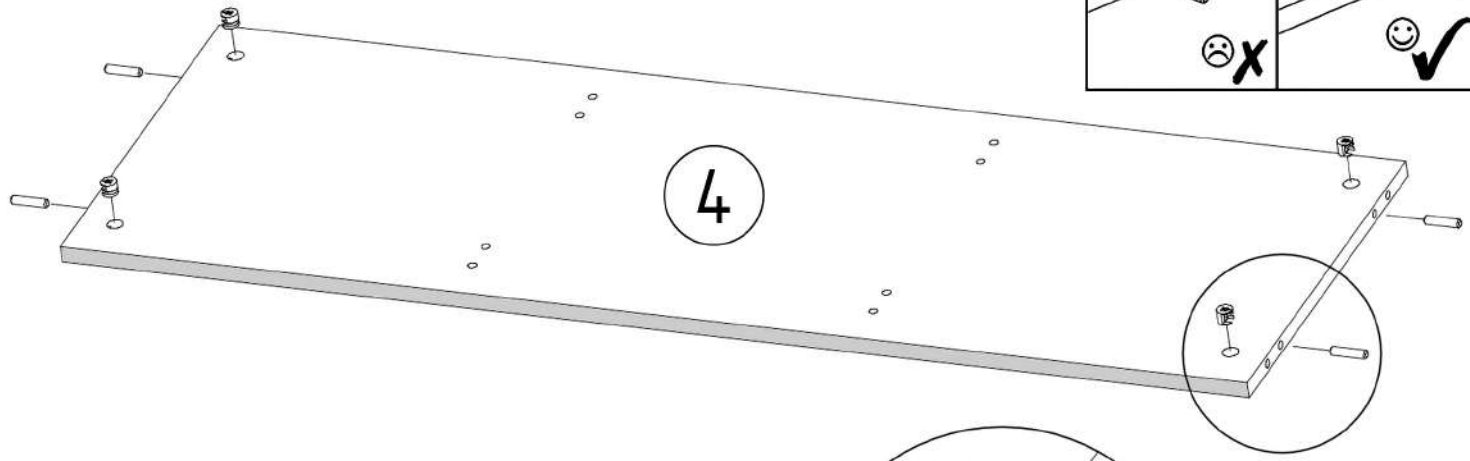




E1  8x30mm X4	M1  12x15mm X4
---	---

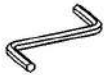
 !    	 !   
---	--

  	  
--	--

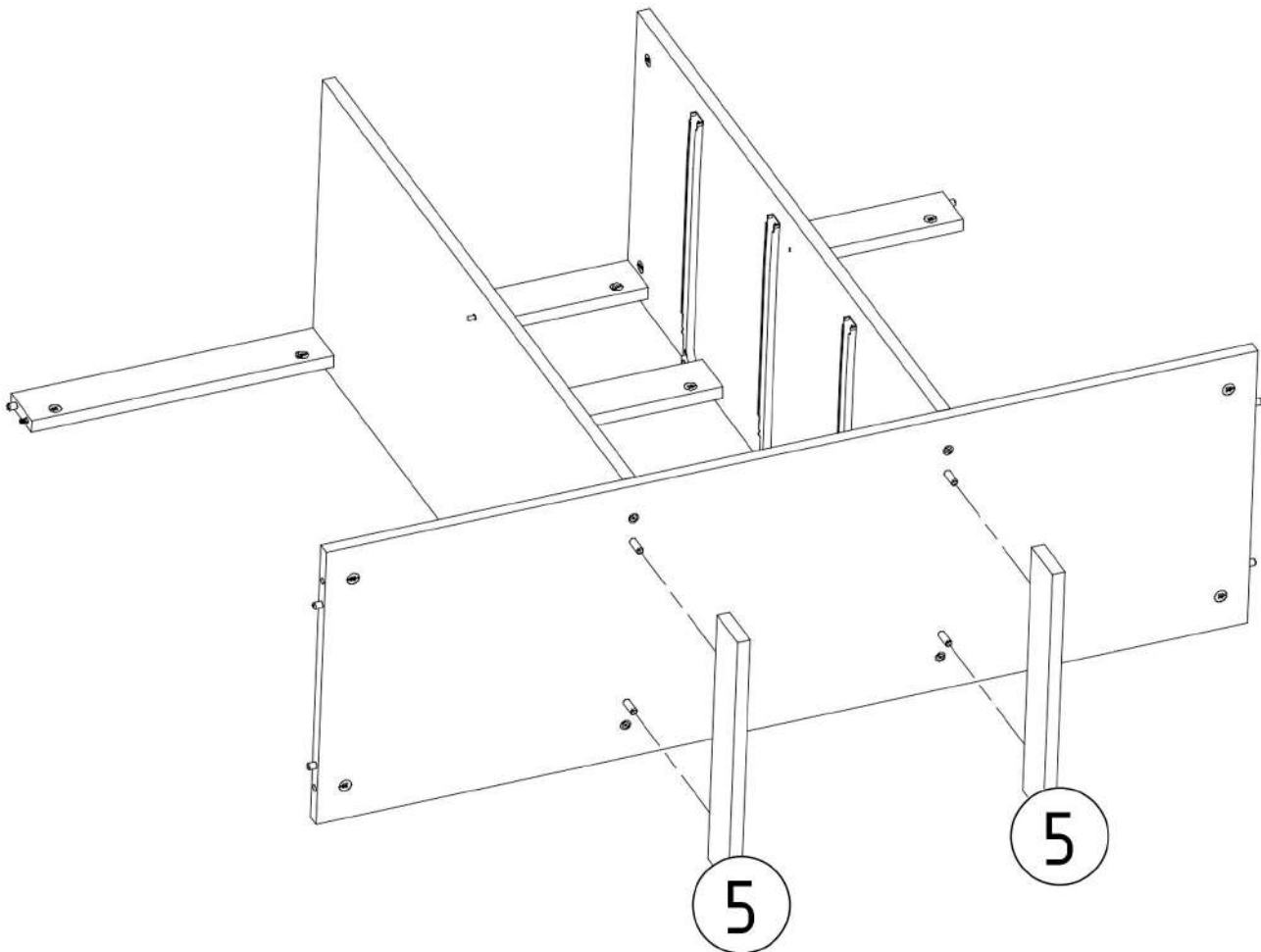
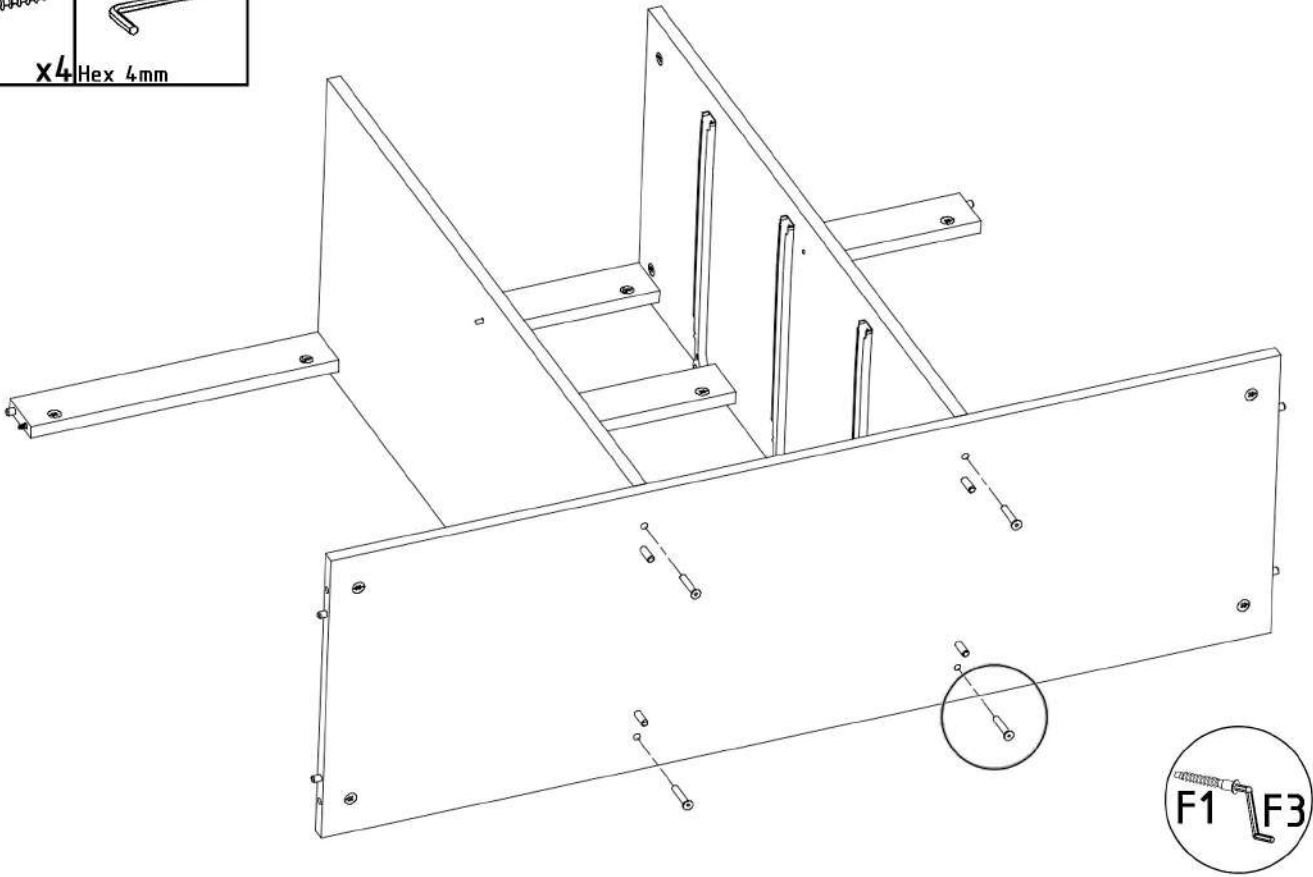


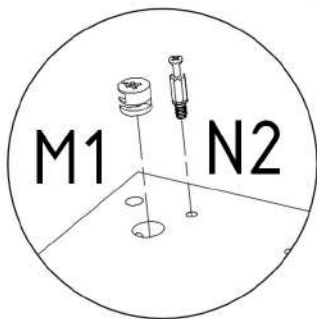
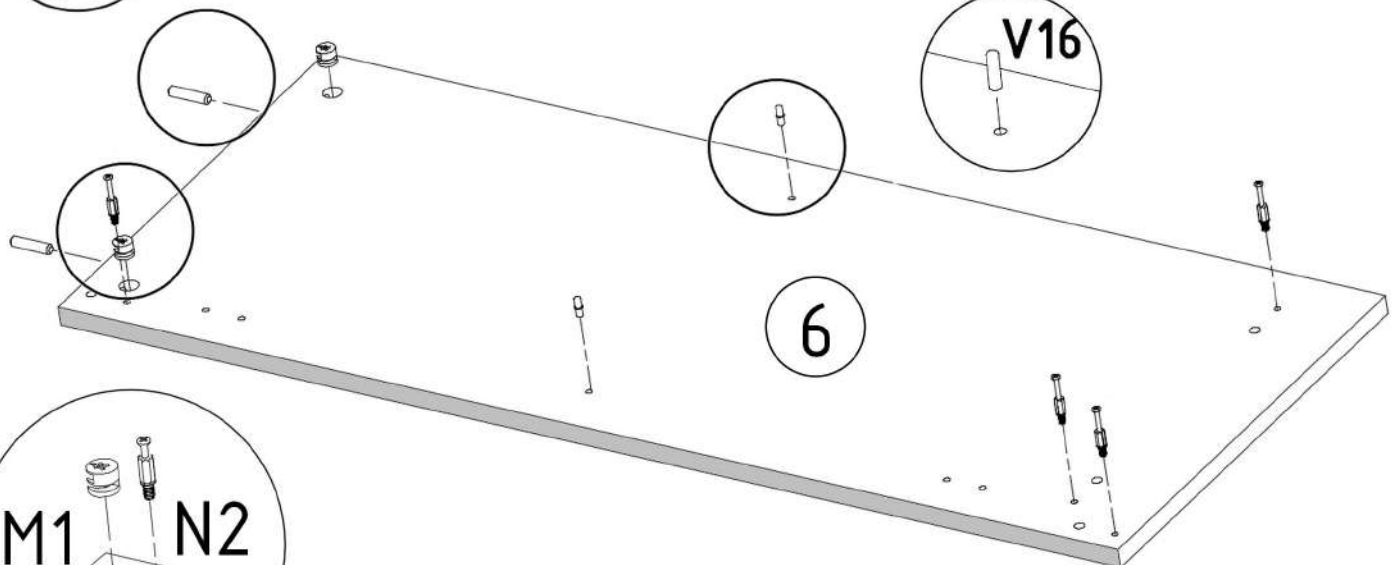
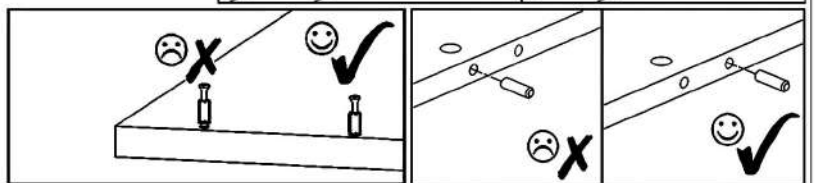
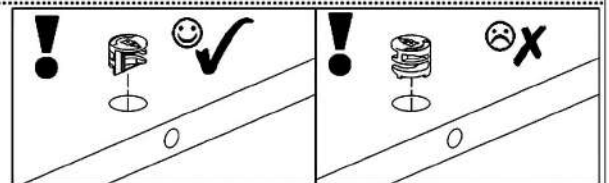
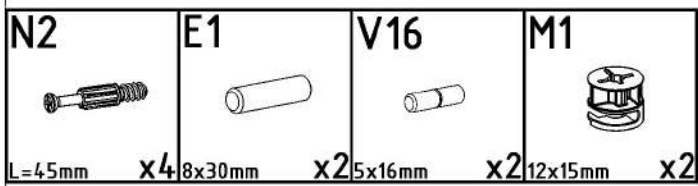
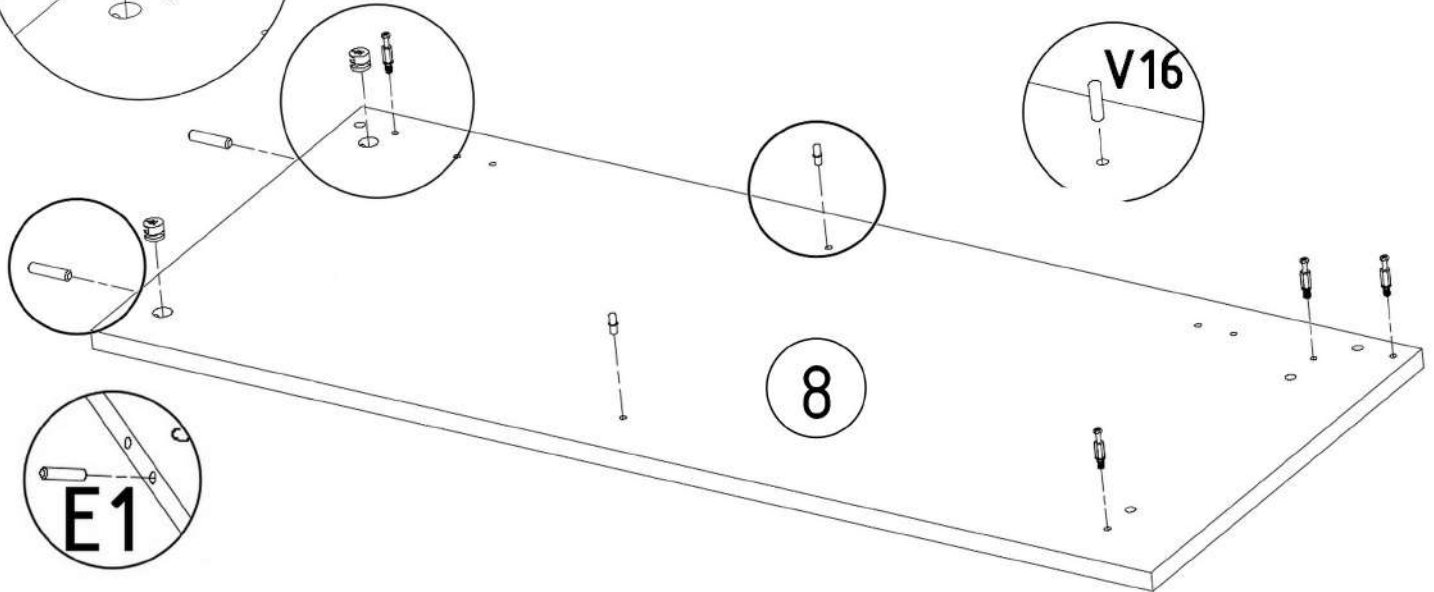
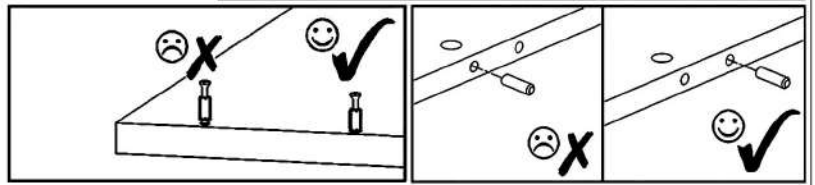
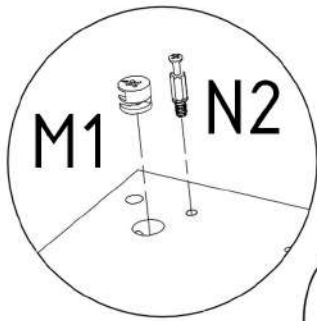
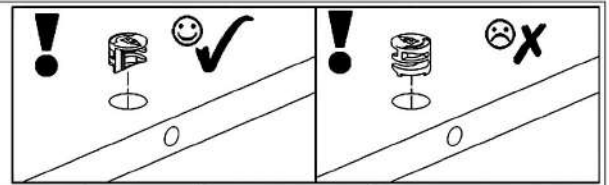
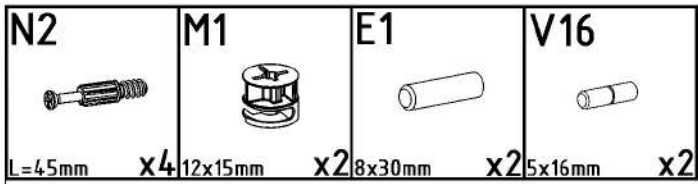
F1



F3







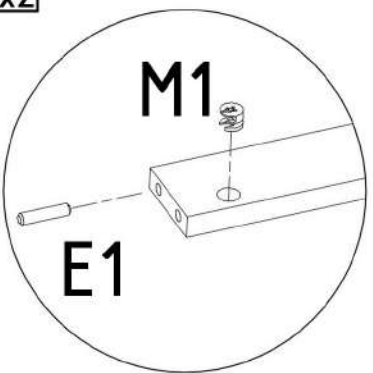
7x50mm X4 Hex 4mm




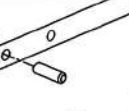

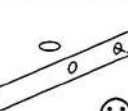






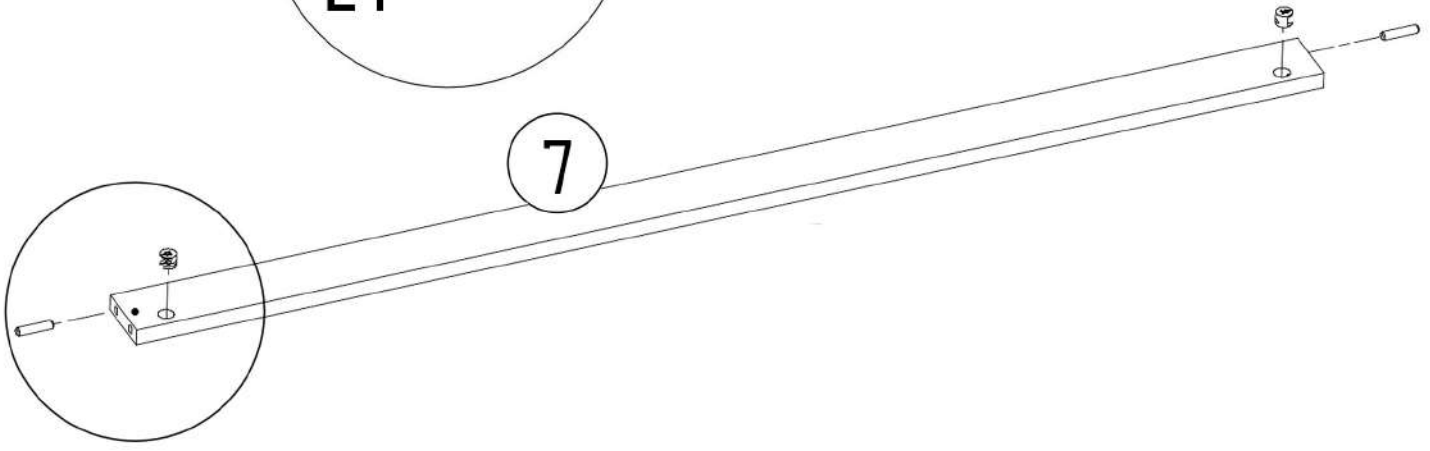
E1  8x30mm	M1  12x15mm
x2	x2

   
--

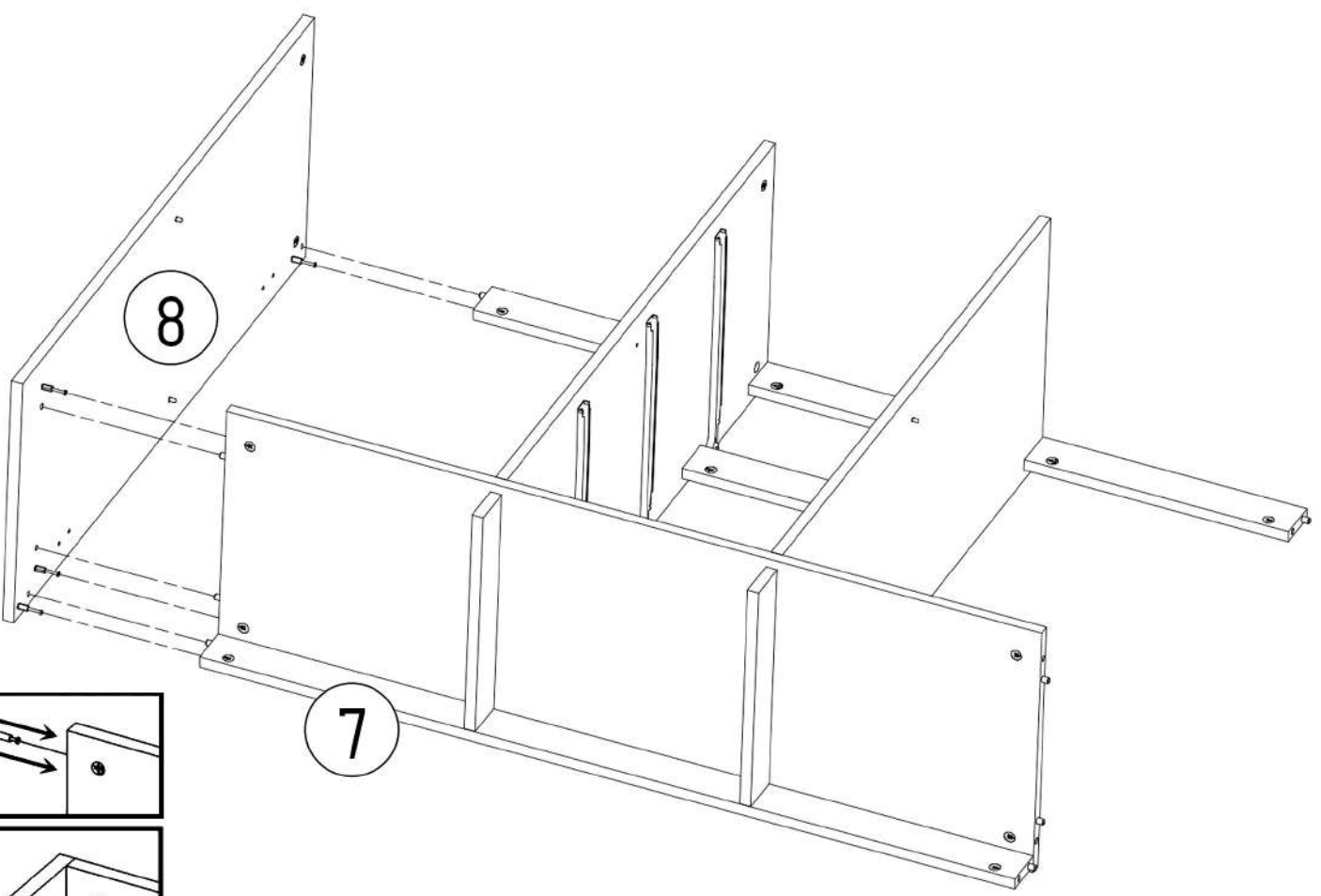


M1
E1

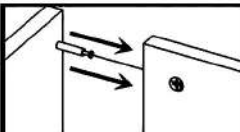
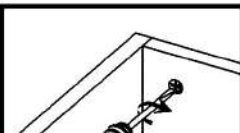
   	   
---	---

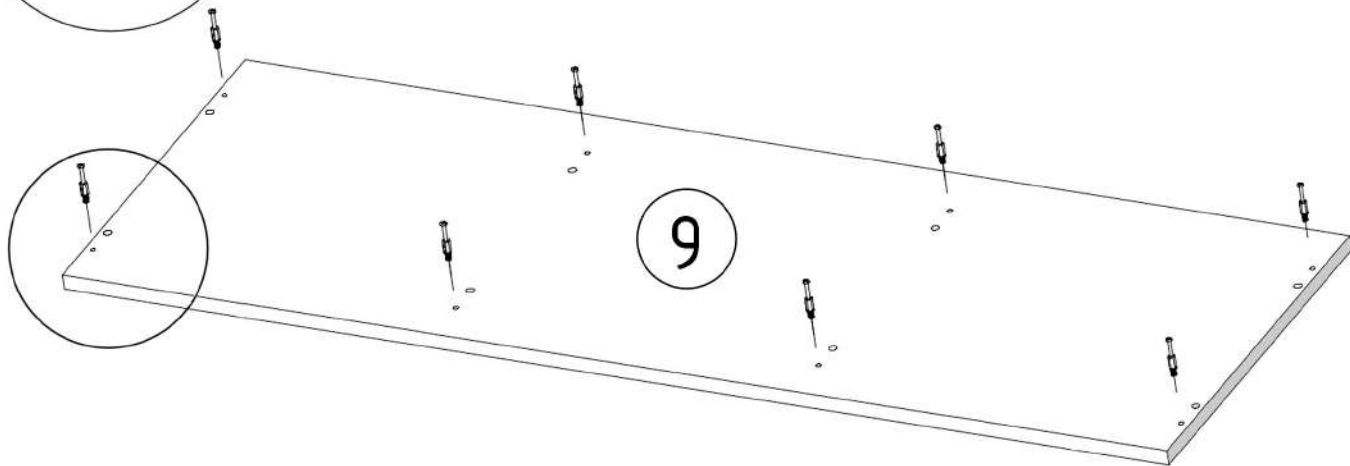
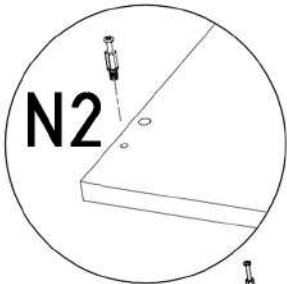
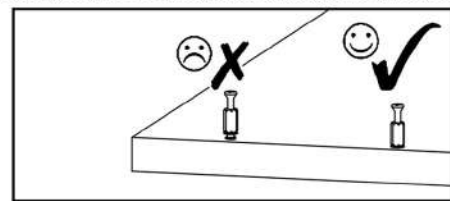
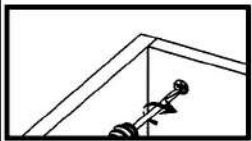
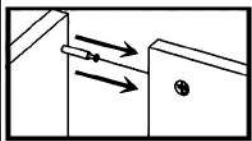
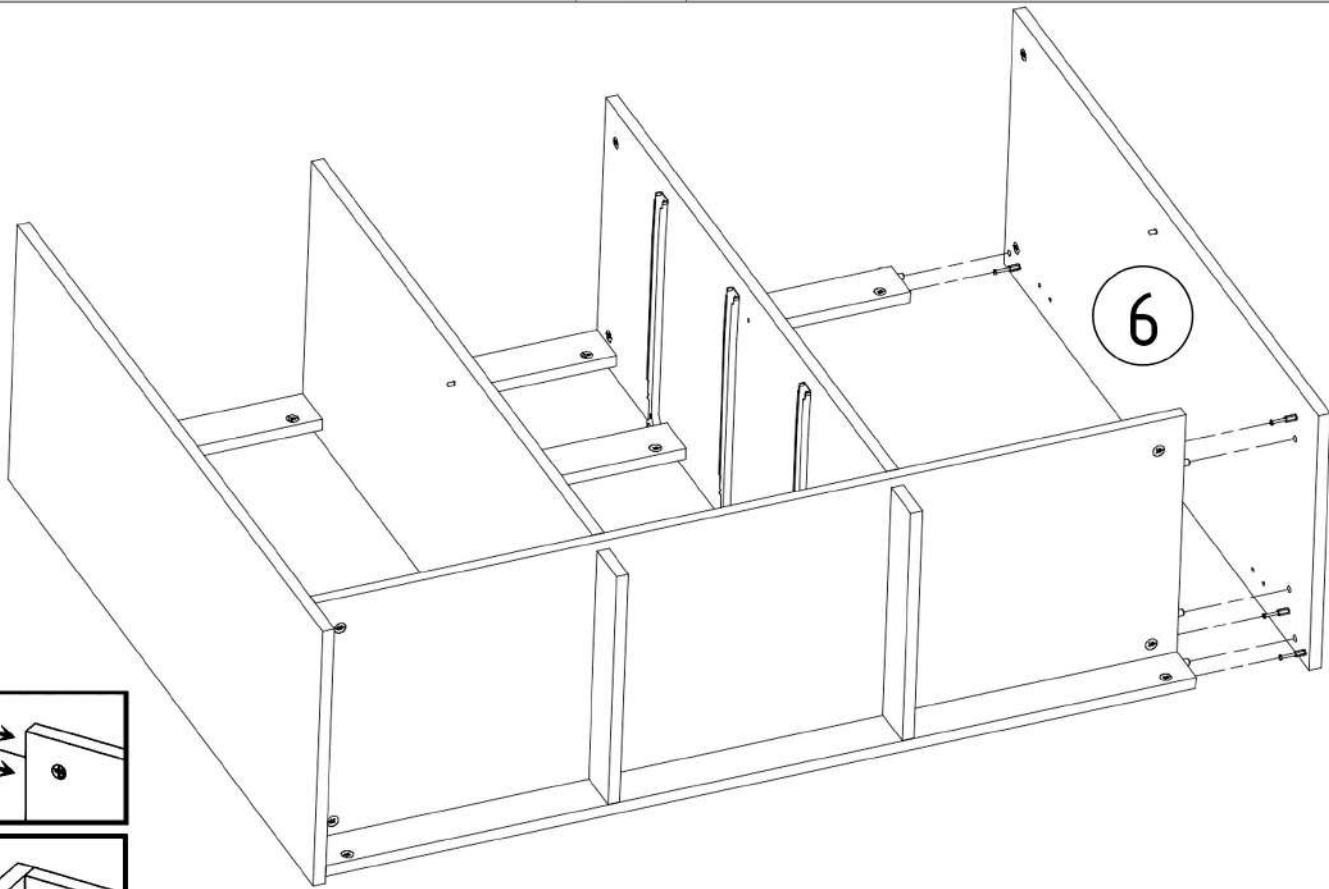


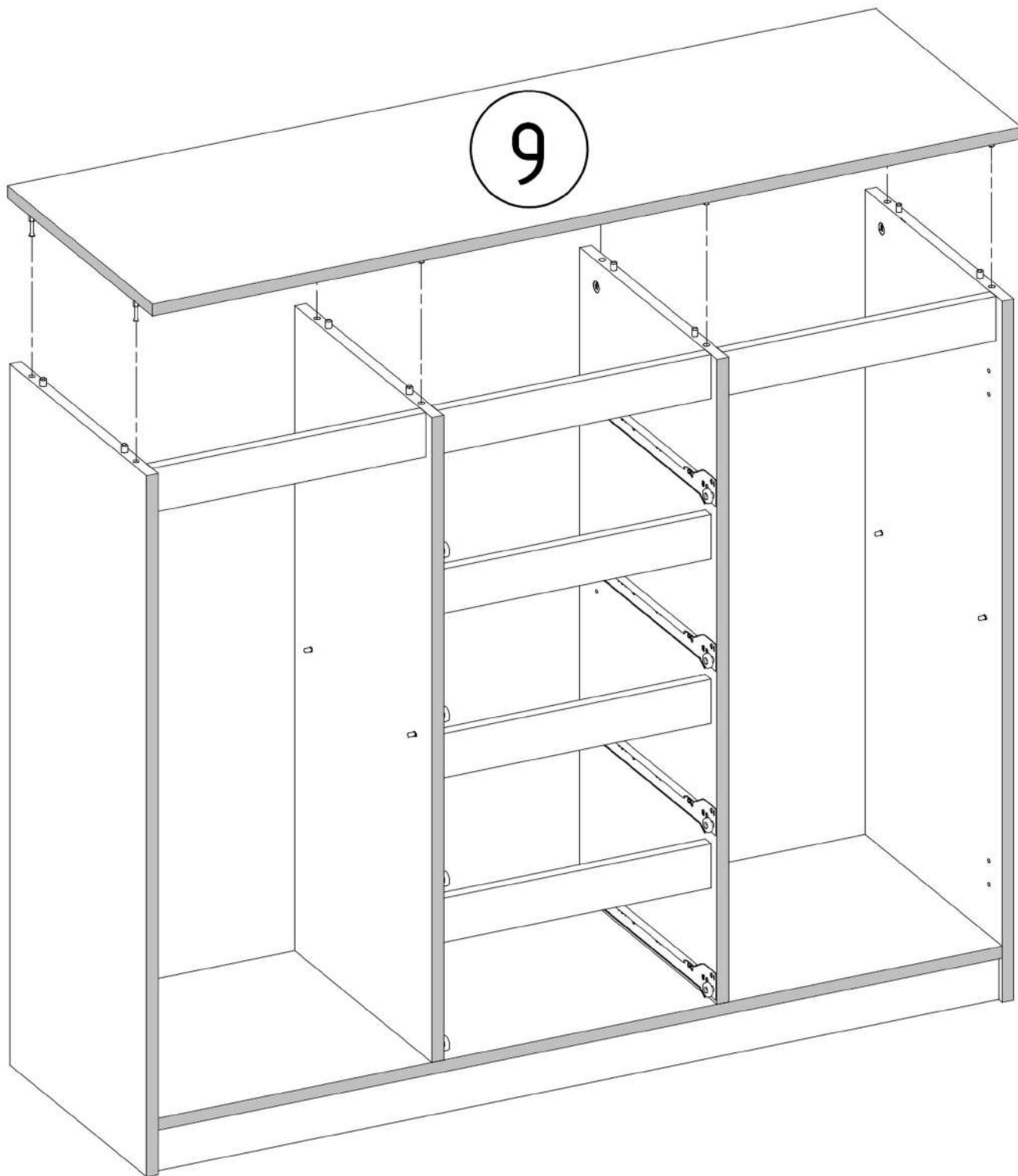
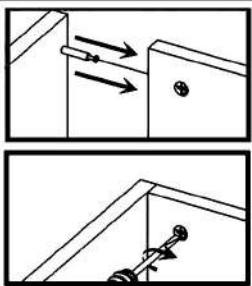
7



8
7





S6



2,5x20mm x10

V15



x10

T1

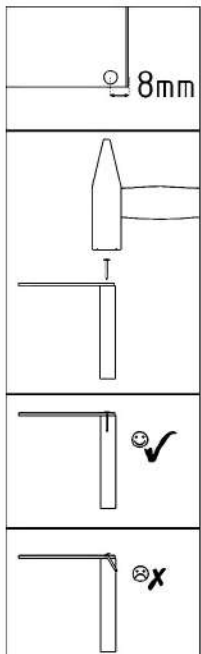
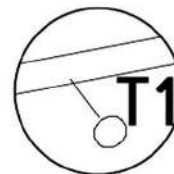
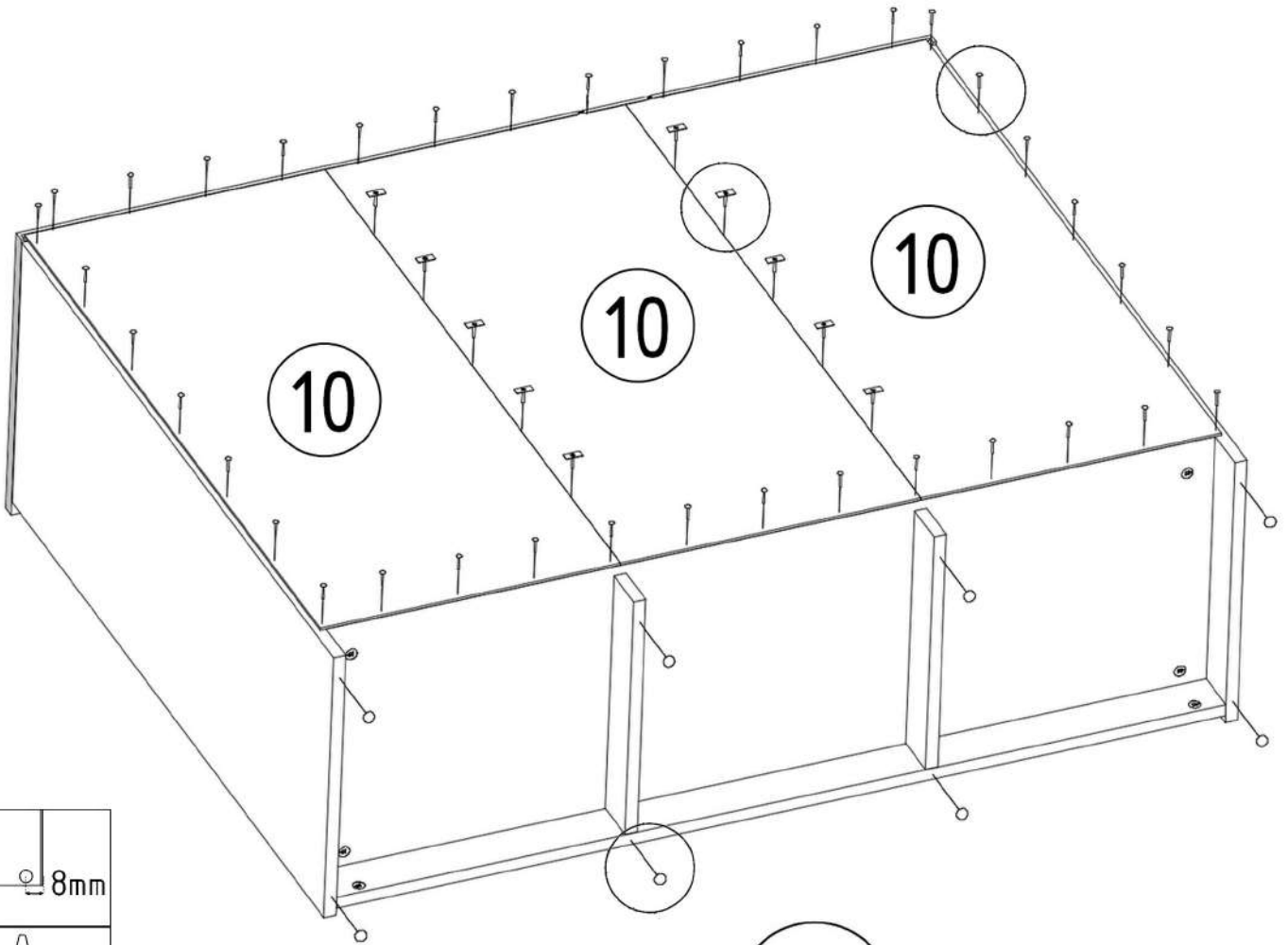
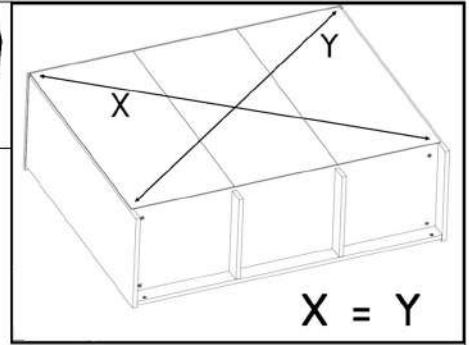
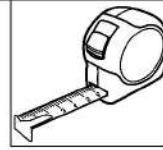


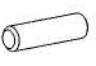


x8

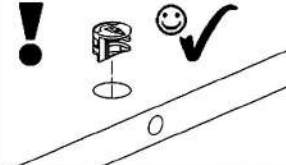
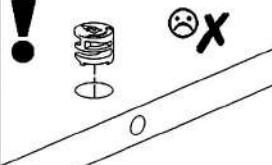
Z1

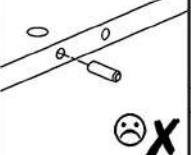
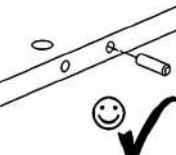


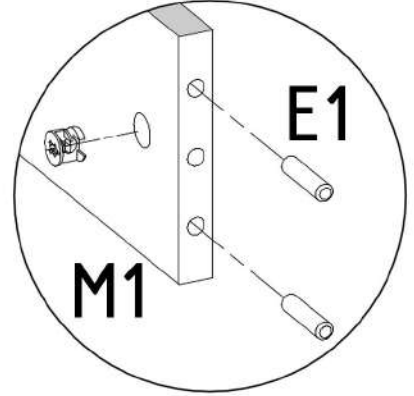
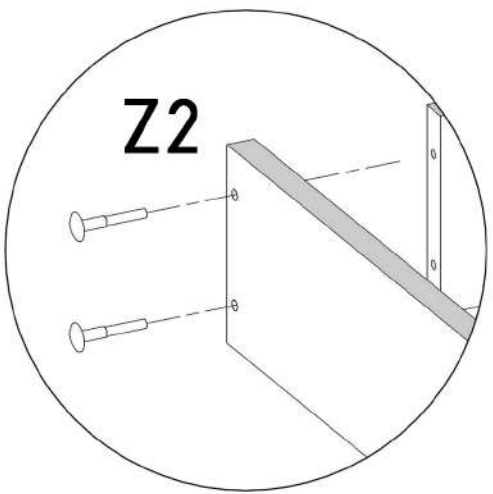
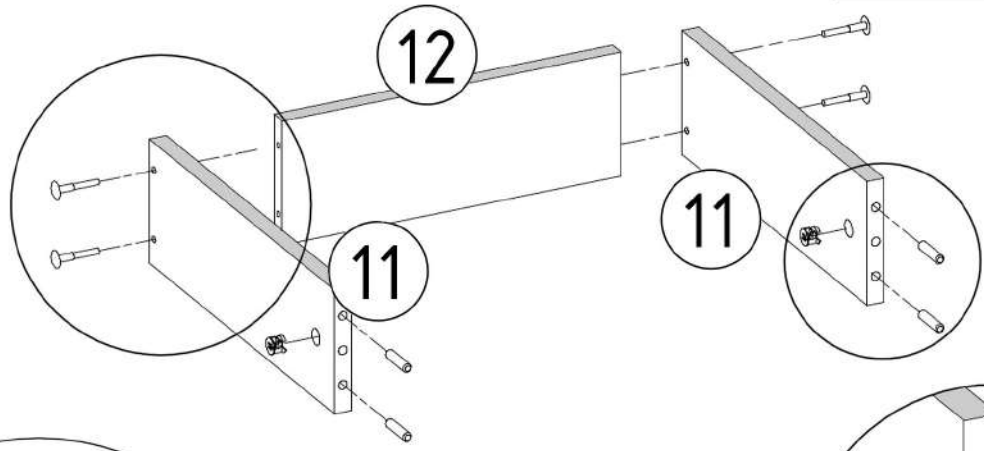
x60




E1  8x30mm x16	M1  12x15mm x8	Z2  x16
--	---	--

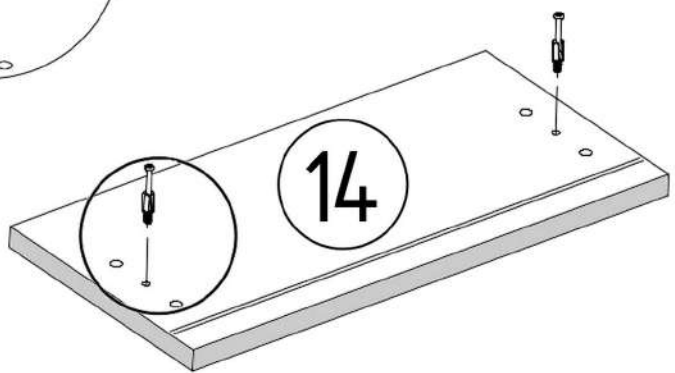
	
---	--

	
---	---




N2  L=45mm x8
--



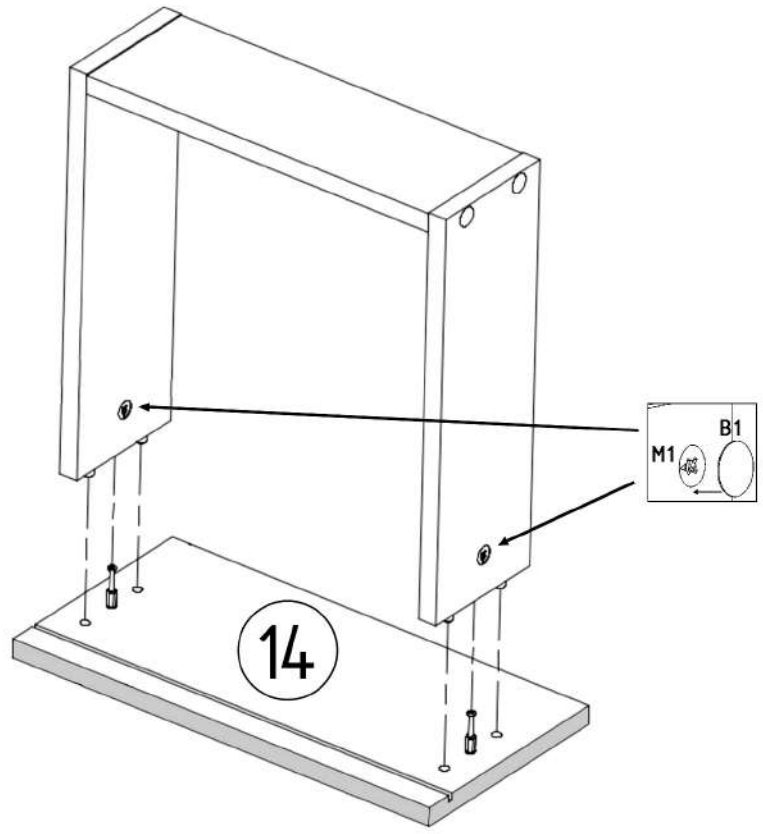
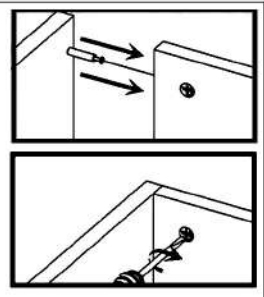


x4

B1

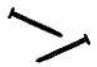




ø17/4mm x8

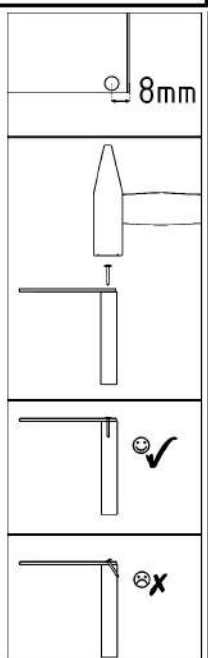
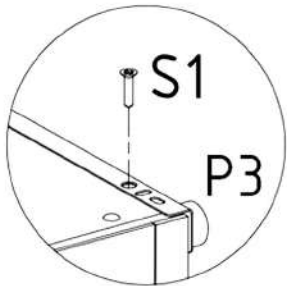
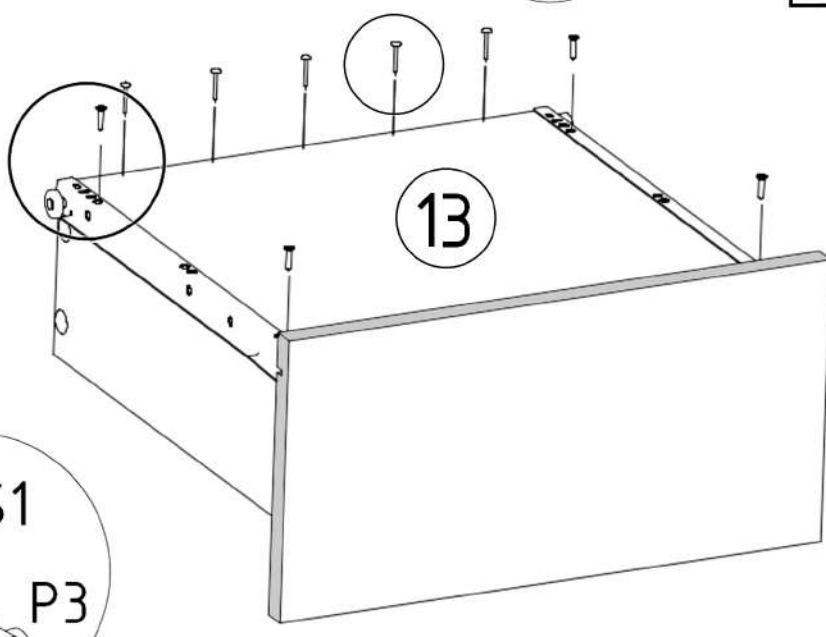
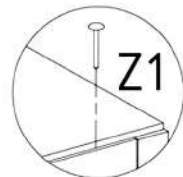
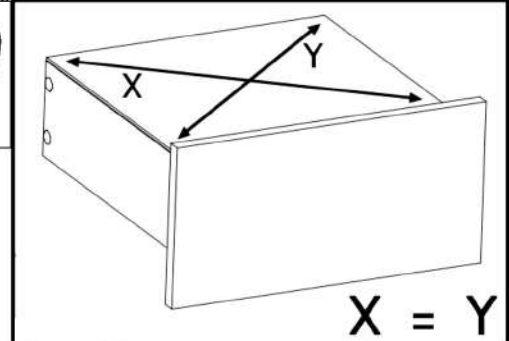
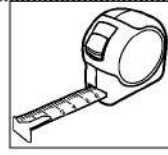


x4

Z1 **S1** **P3**

x10 3,5x16mm x16 L=350mm x4



x4

A1

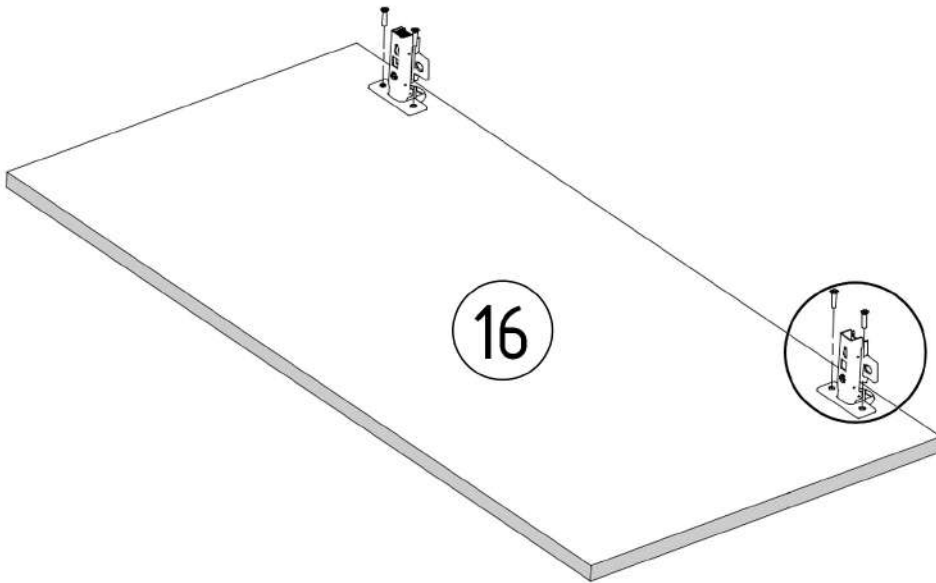
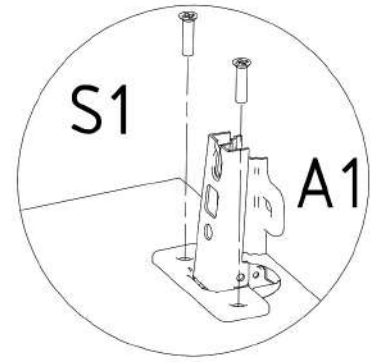


S1

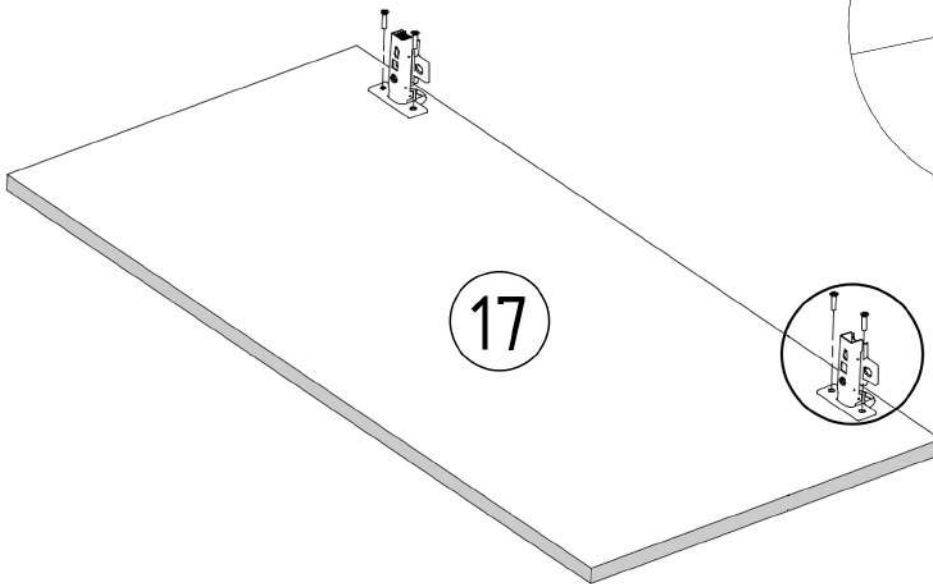
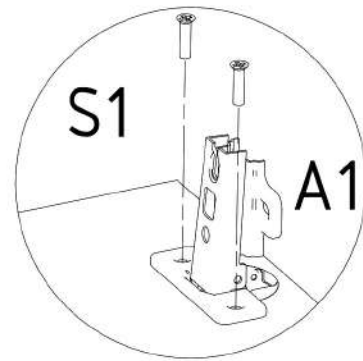
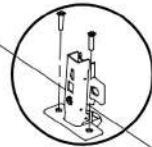


ZP

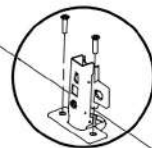
x4 3,5x16mm x8



16



17



V13



x1

