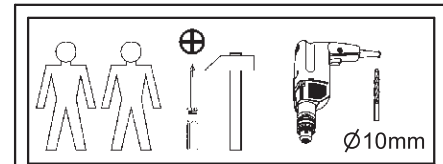
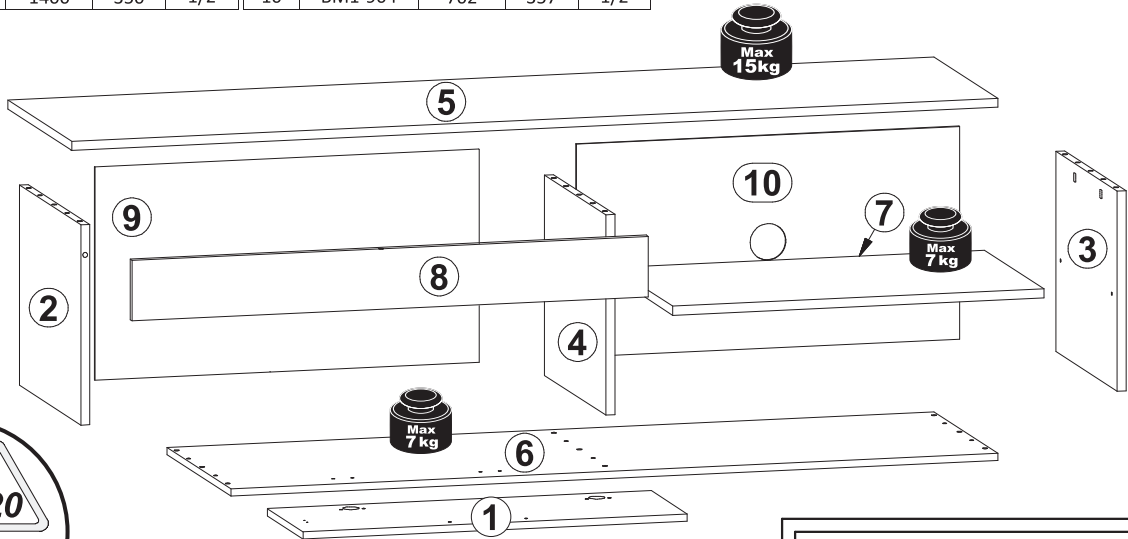
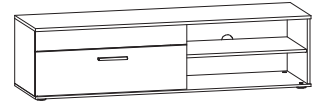


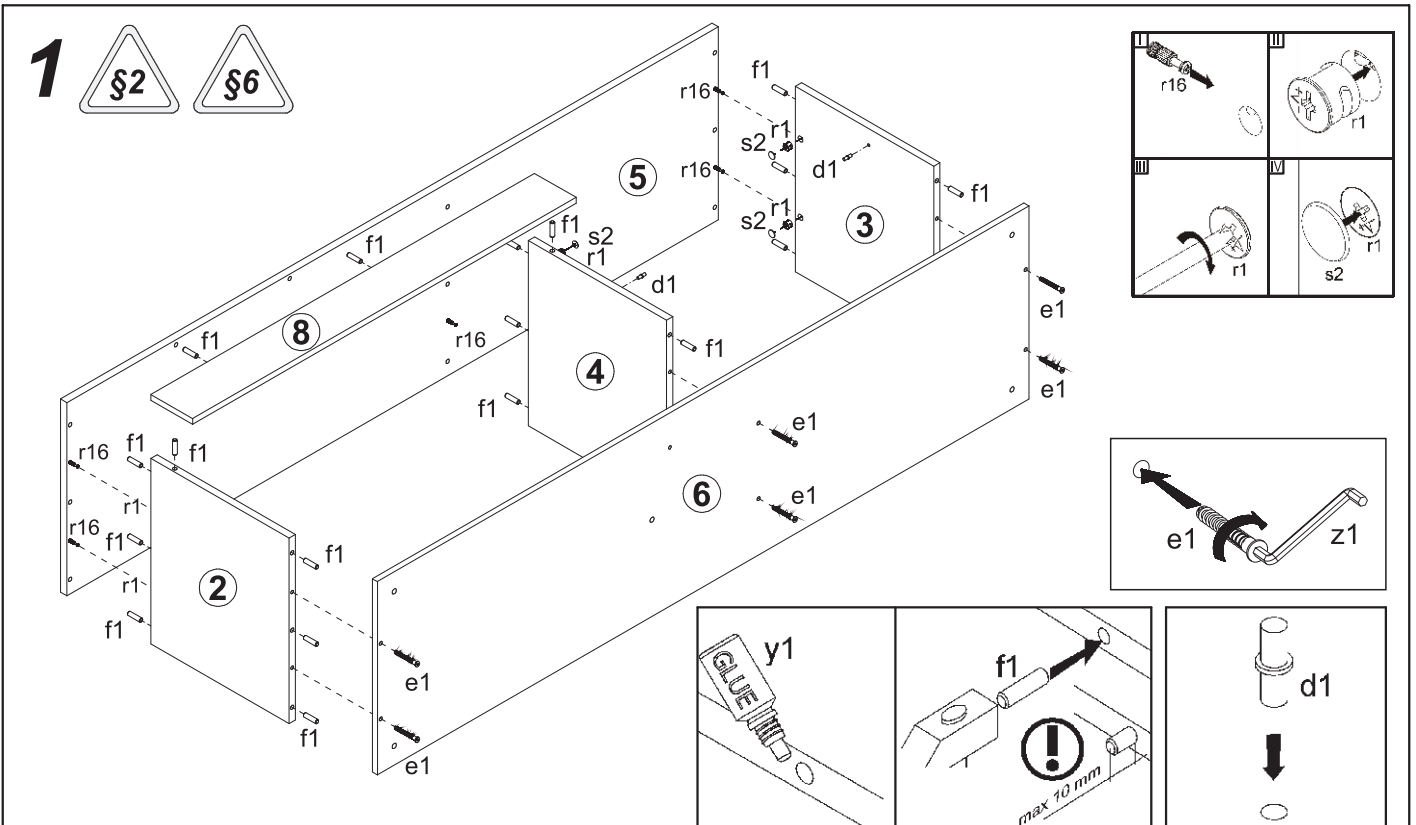
# BENSON

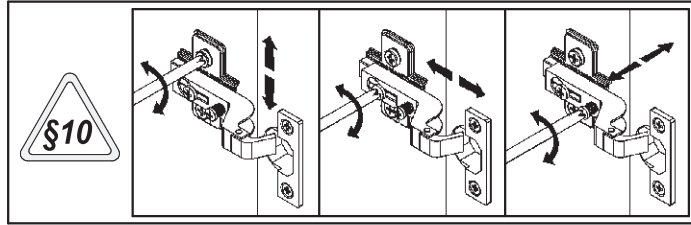
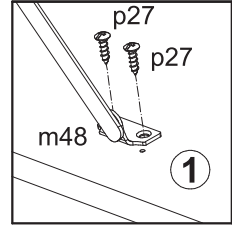
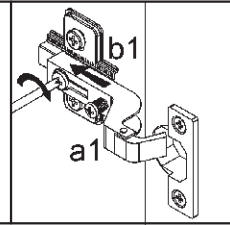
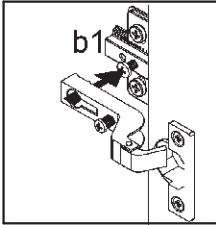
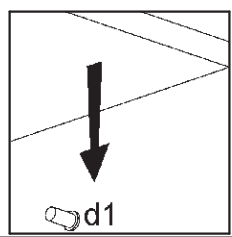
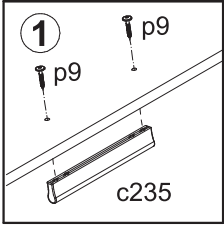
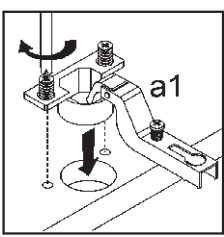
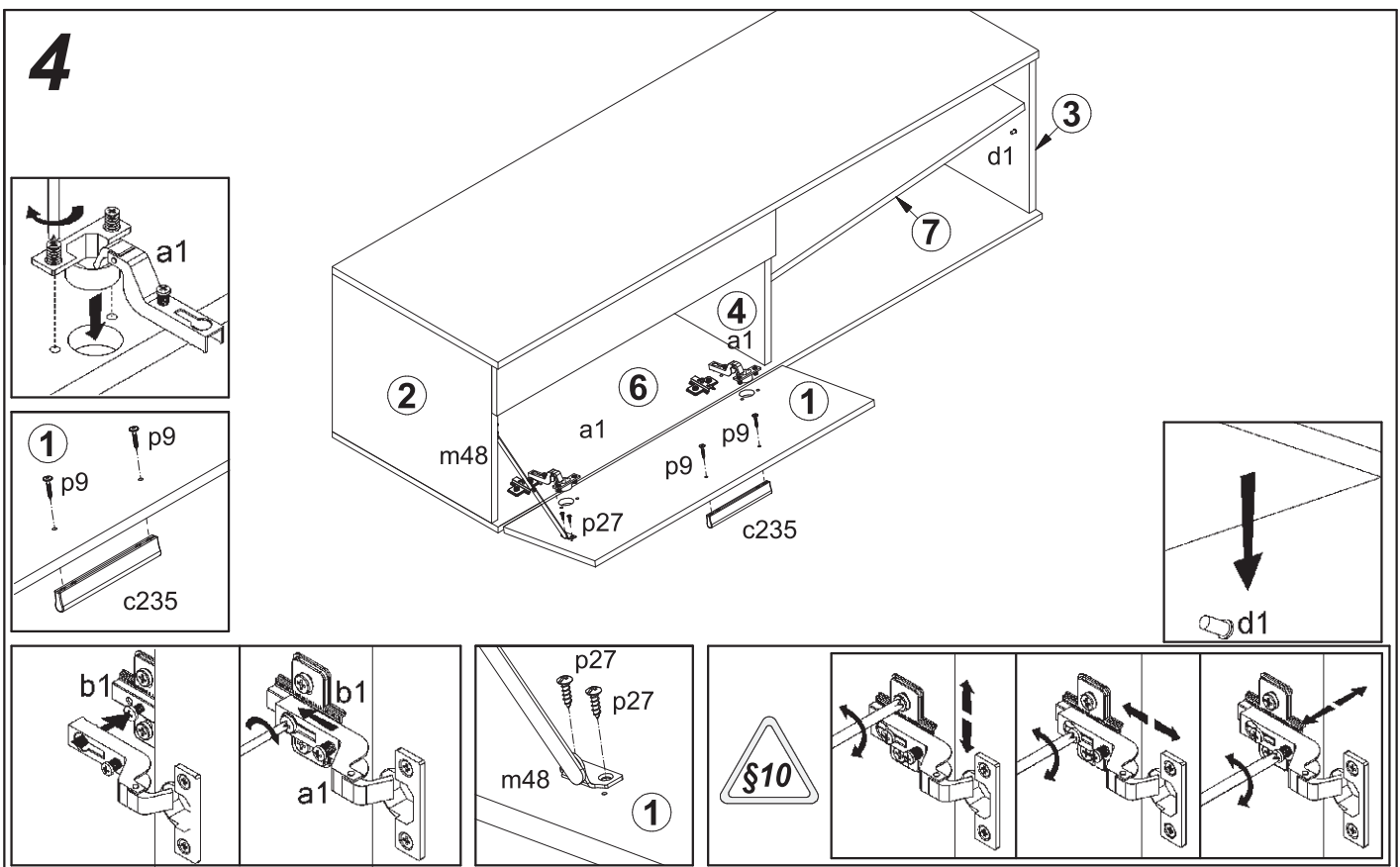
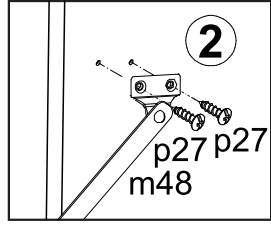
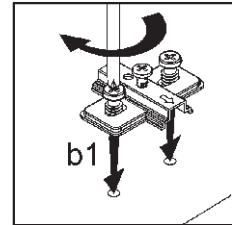
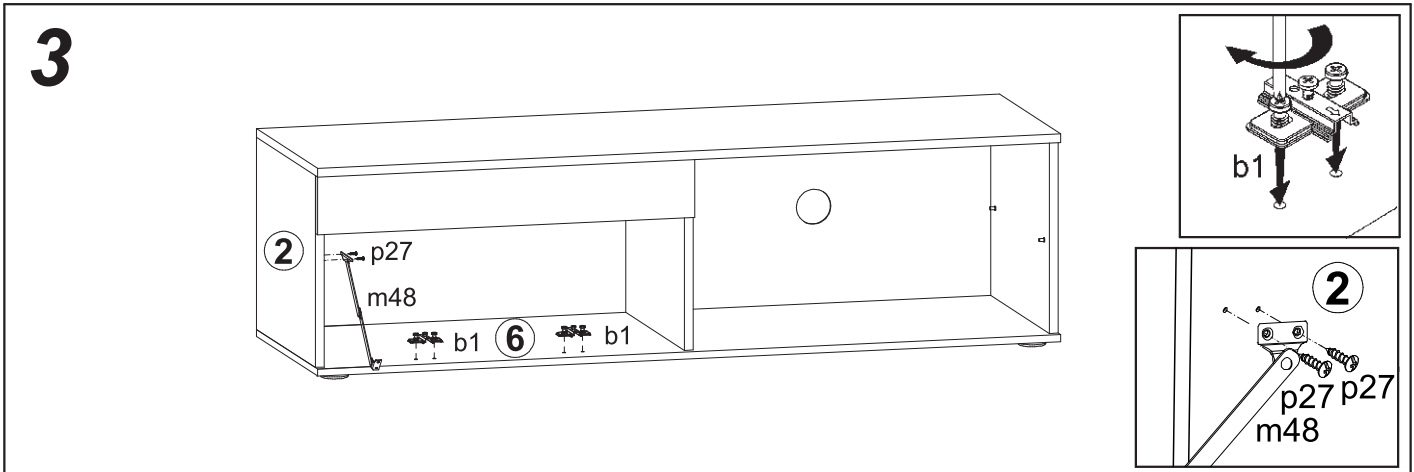
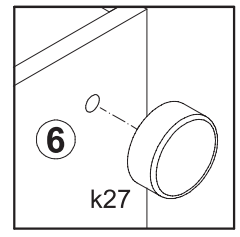
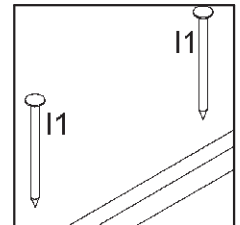
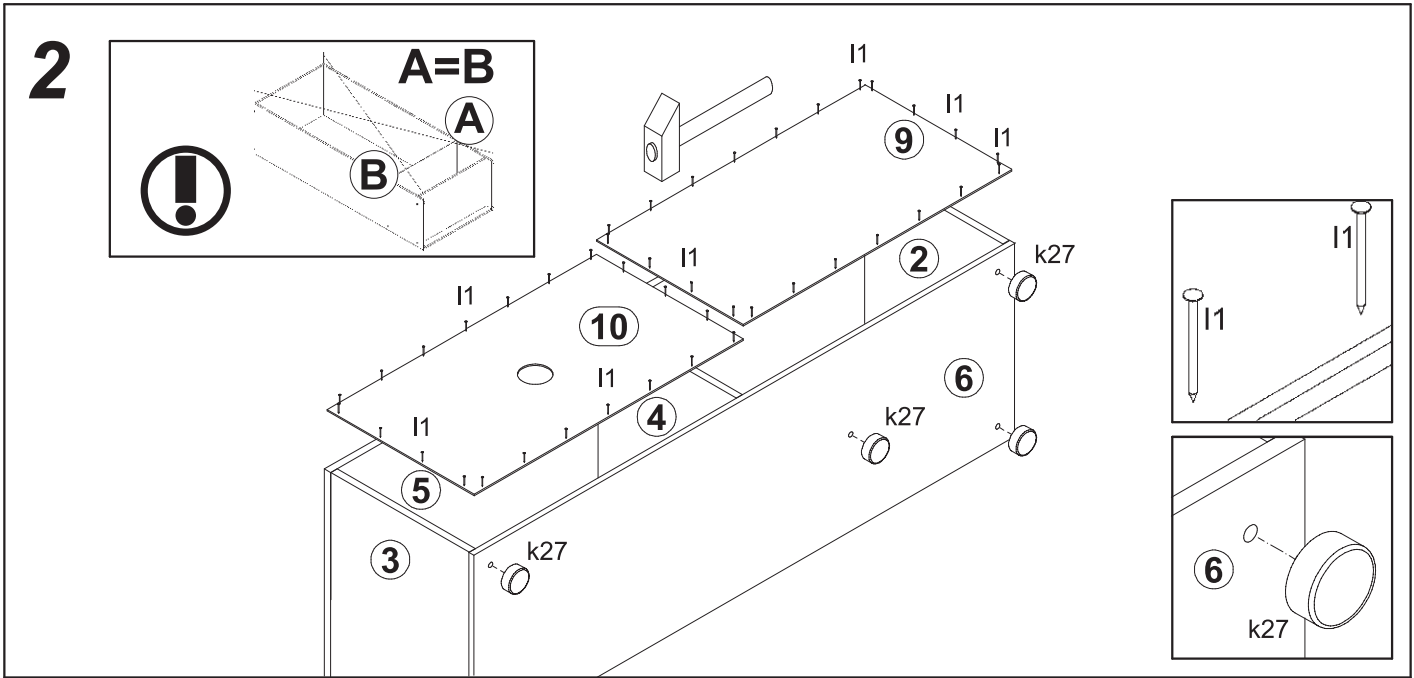
I

A	B	C		D	A	B	C		D
1	BM1-003	700	224	1/2	6	BM1-206	1400	350	1/2
2	BM1-105	330	333	1/2	7	BM1-304	680	324	1/2
3	BM1-107	330	333	1/2	8	BM1-405	700	100	1/2
4	BM1-106	330	333	1/2	9	BM1-903	691	357	1/2
5	BM1-205	1400	350	1/2	10	BM1-904	702	357	1/2



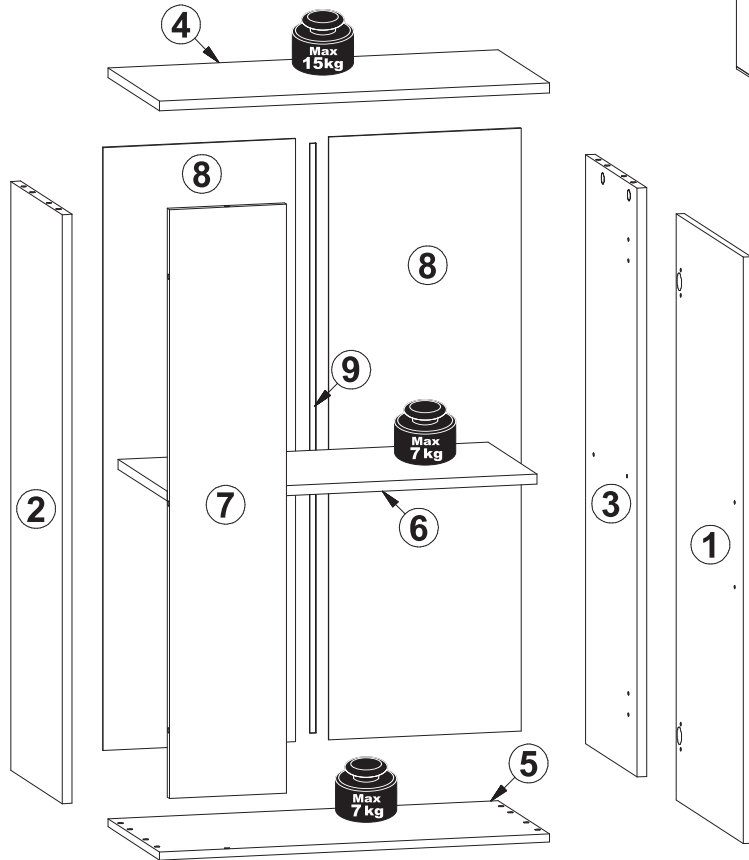
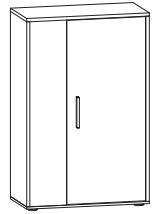
2x 	2x 	1x 96/128 mm 	4x 	16x 	5x 	55x 	1x 	4x 
6x 	6x 20/9 	6x 	4x 	2x 	1x GLUE 	1x 		





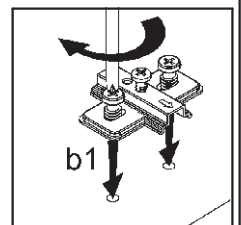
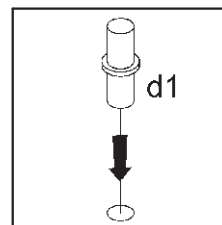
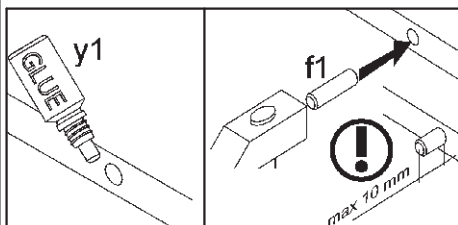
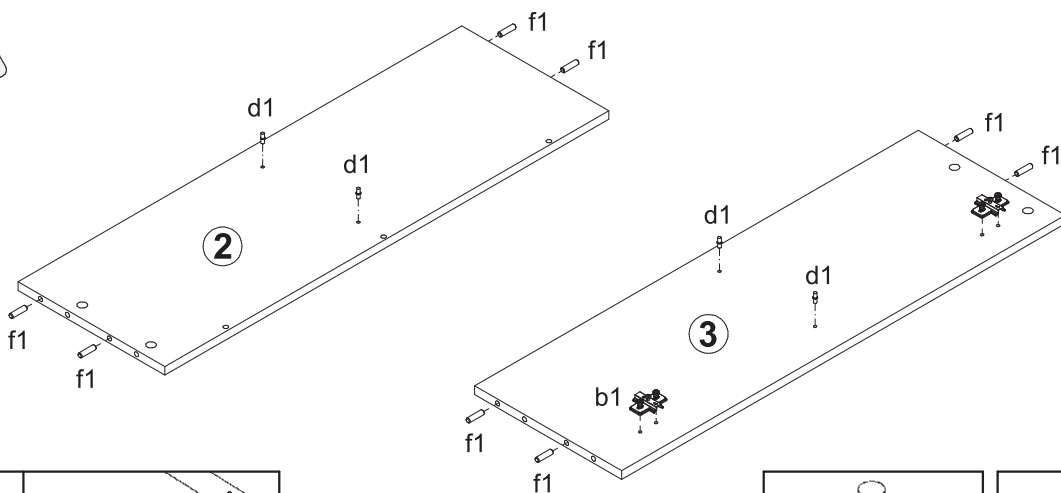
# II

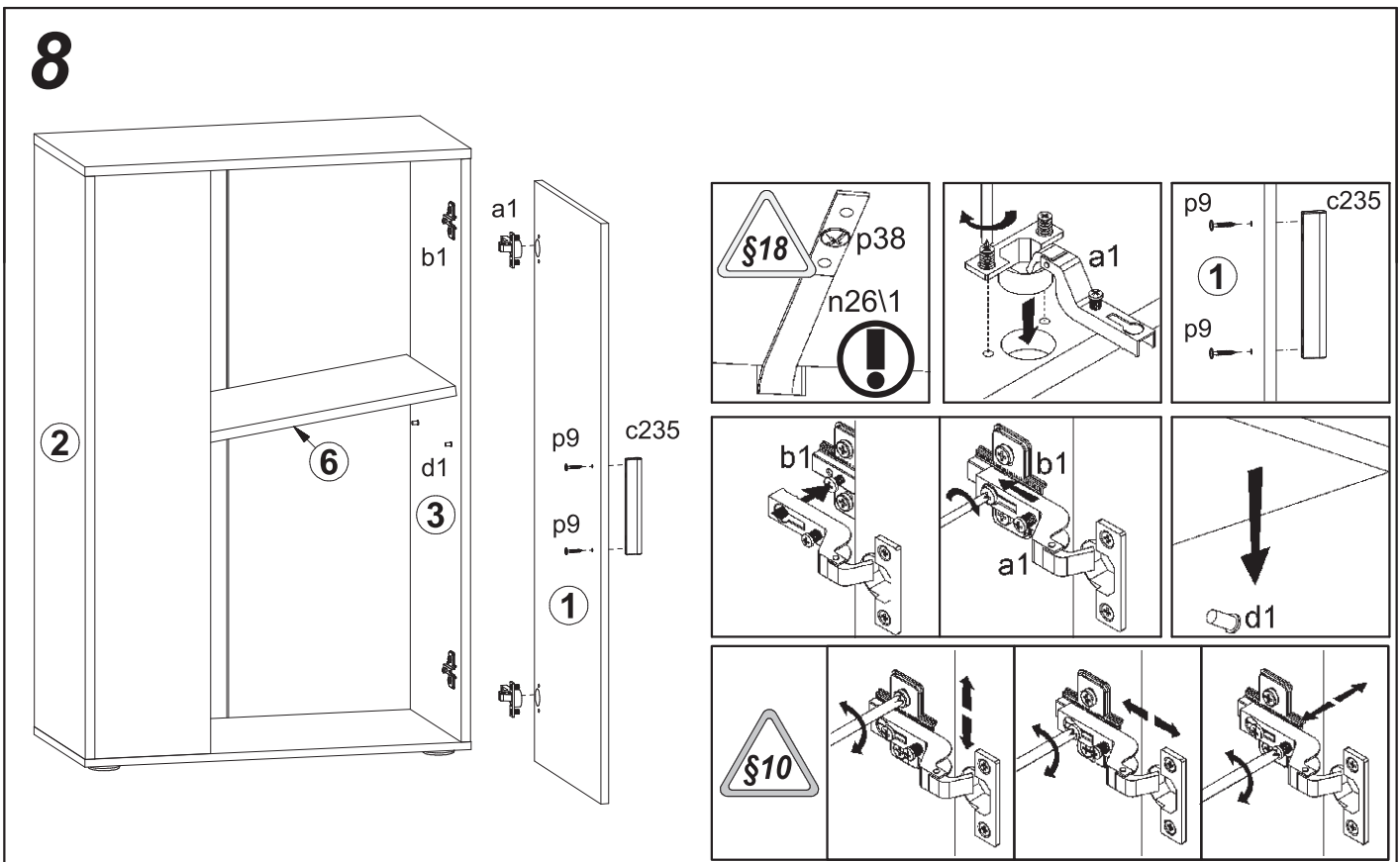
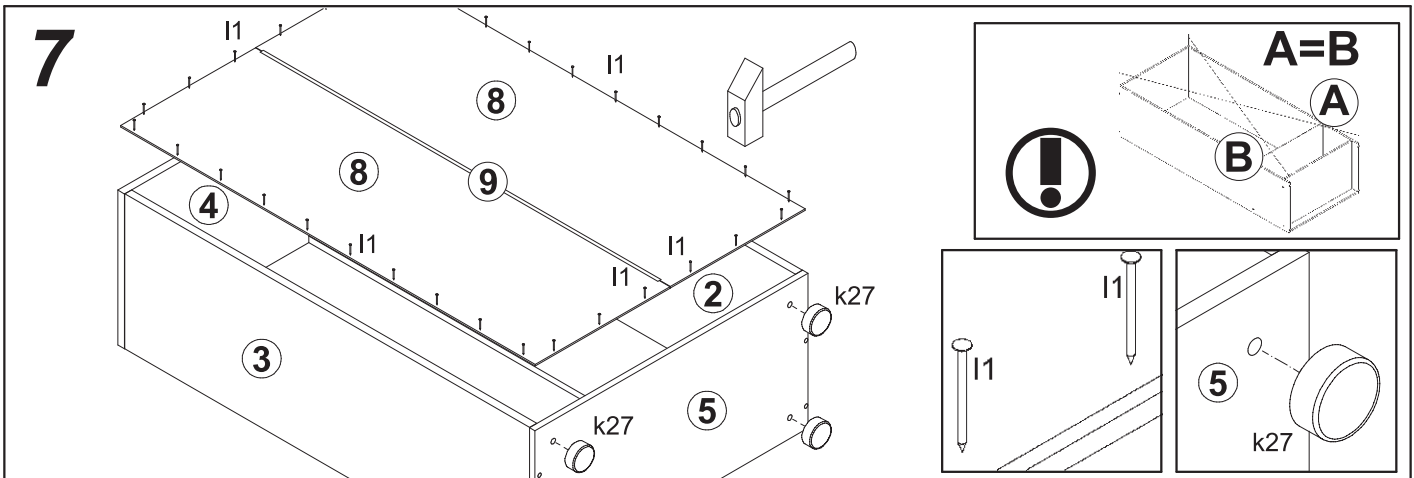
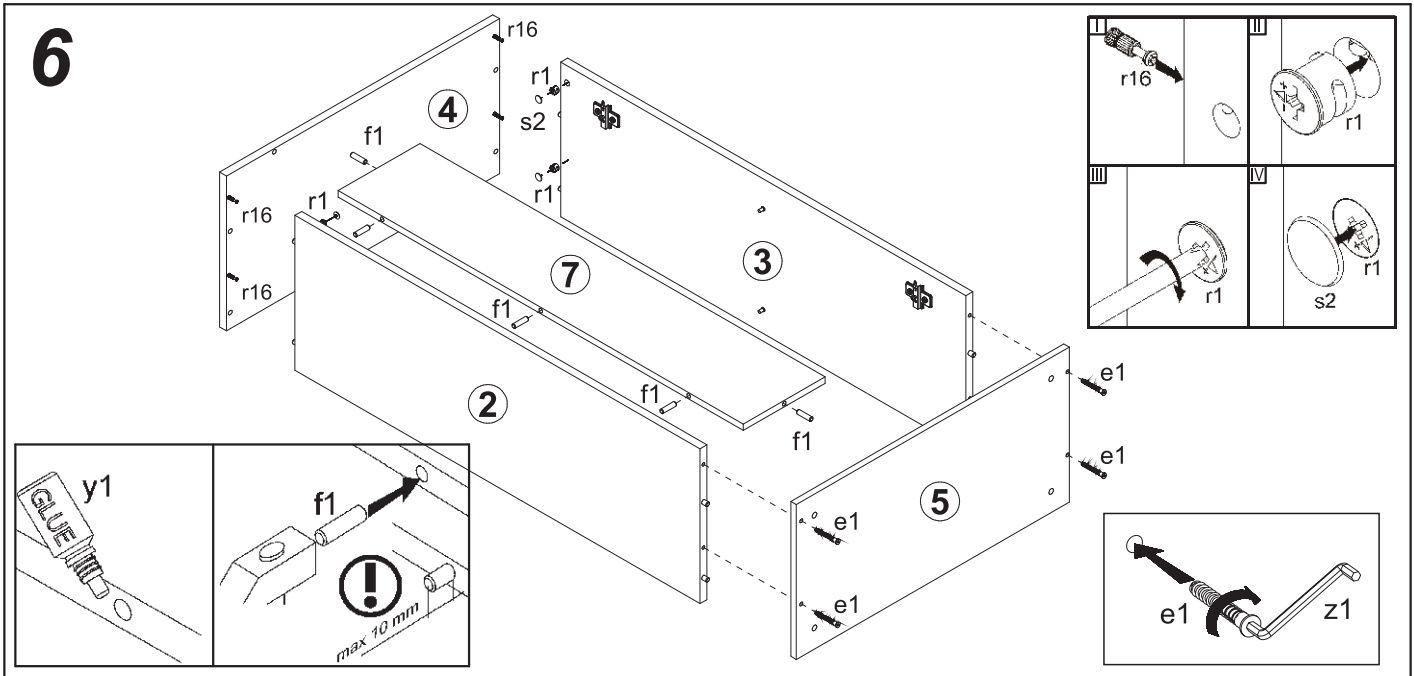
A	B	C		D
1	BM1-001	806	332	1/2
	BM1-001-01	332	806	1/2
2	BM1-101	810	295	2/2
3	BM1-102	810	295	2/2
4	BM1-201	500	295	2/2
5	BM1-202	500	295	2/2
6	BM1-302	467	278	2/2
7	BM1-402	810	130	2/2
8	BM1-901	837	247	2/2
9	LH-809	809		2/2



2x 	2x 	1x 96/128 mm 	4x 	13x 	4x 	35x 	1x 	2x 
4x 	4x 	4x 	4x 	1x 	1x 	1x 		

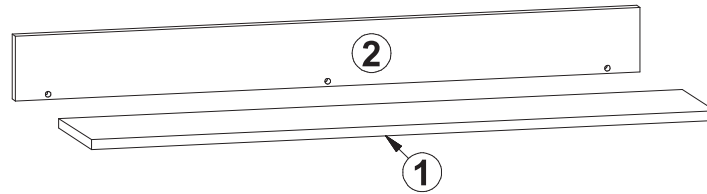
# 5



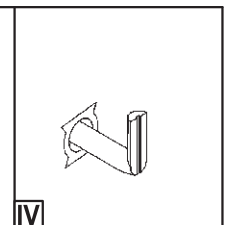
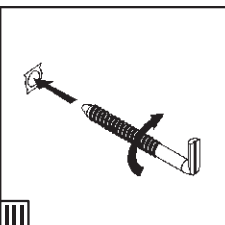
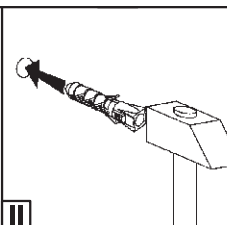
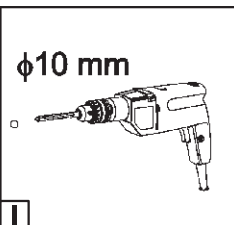
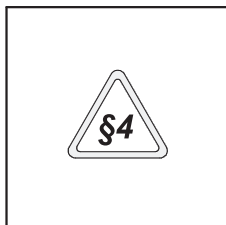
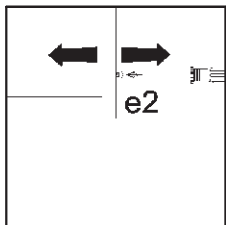
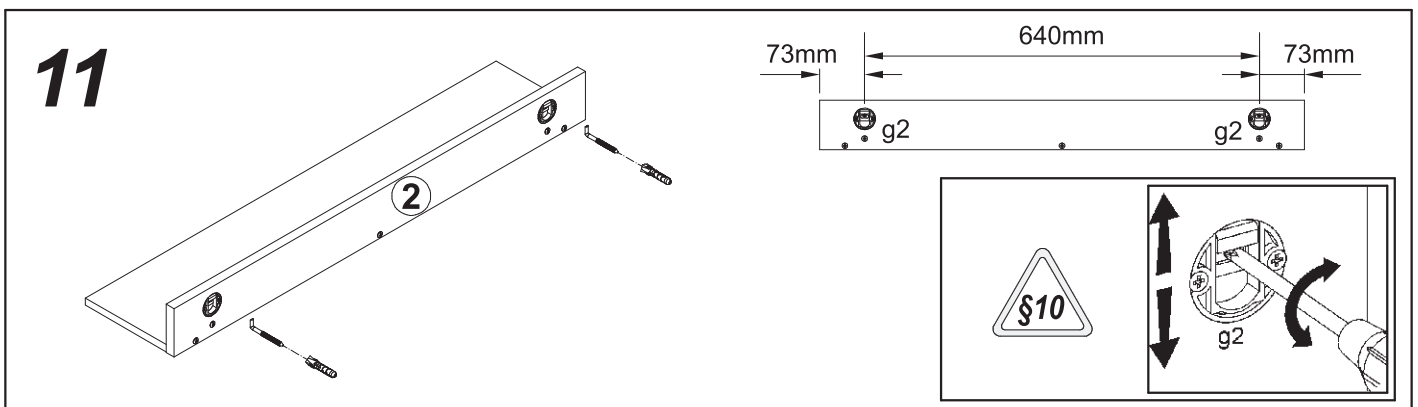
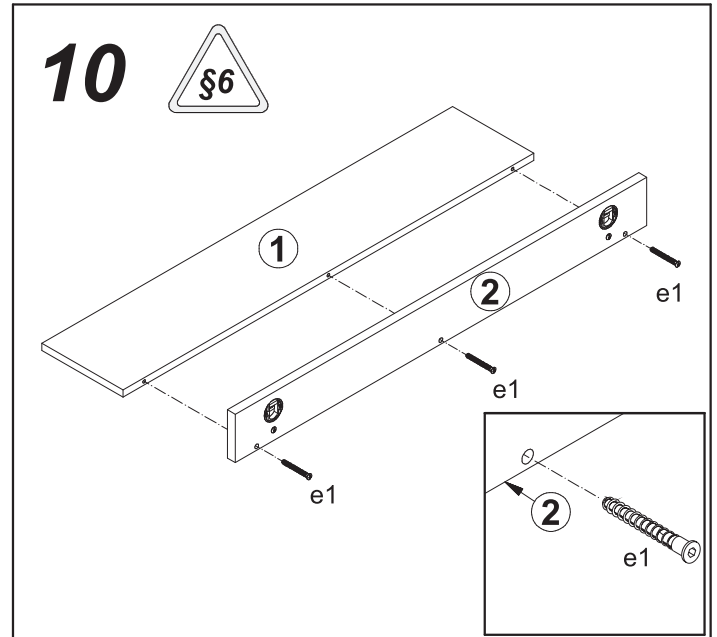
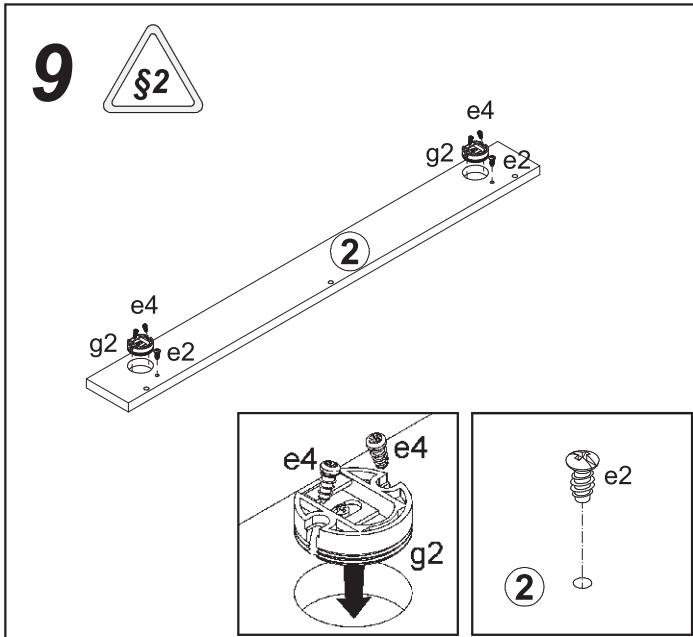




A	B	C	D
1	BM1-301	785	155 2/2
2	BM1-401	786	80 2/2



3x  φ7x50 mm e1	2x  φ6,3x13 mm e2	4x  φ5x11 mm e4	2x  g2	1x  z1
-----------------------	-------------------------	-----------------------	--------------	--------------



# IV

A	B	C		D
1	BM1-002	736	332	1/2
	BM1-002-01	332	736	1/2
2	BM1-103	740	280	2/2
3	BM1-104	740	280	2/2
4	BM1-203	500	280	2/2
5	BM1-204	500	280	2/2
6	BM1-303	467	263	2/2
7	BM1-403	740	130	2/2
8	BM1-404	467	60	2/2
9	BM1-902	718	247	2/2
10	LH-679	679		2/2

