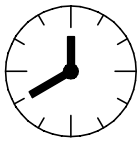
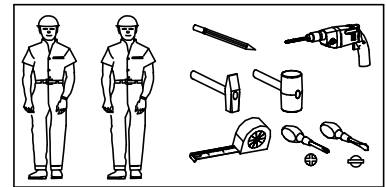
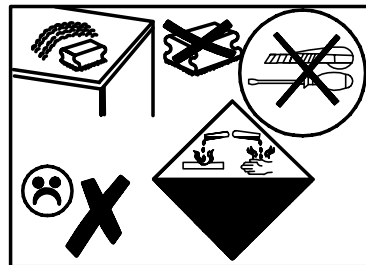
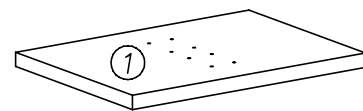
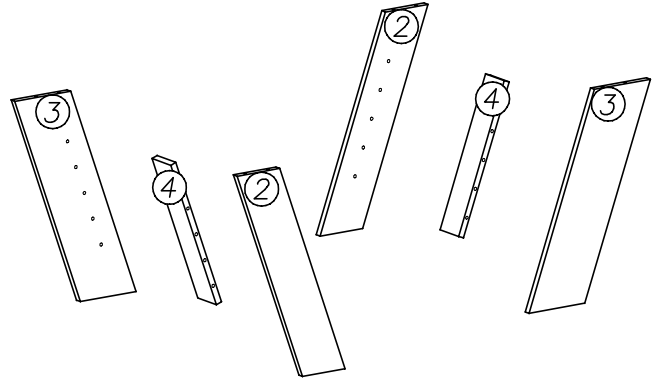
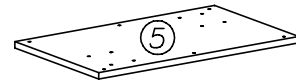
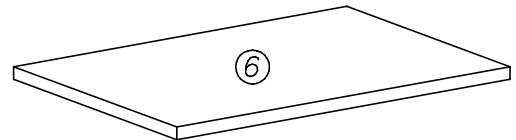
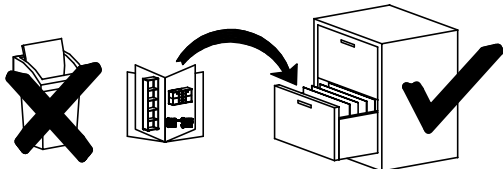
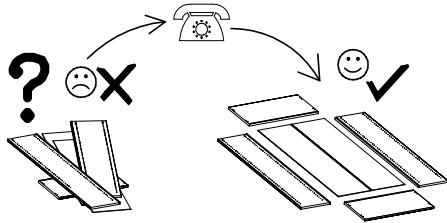
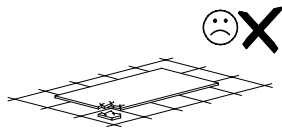
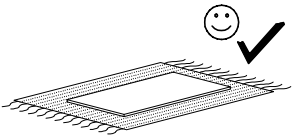
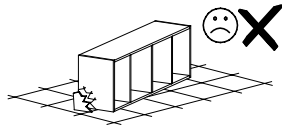
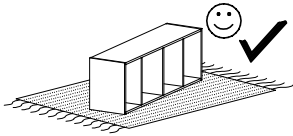
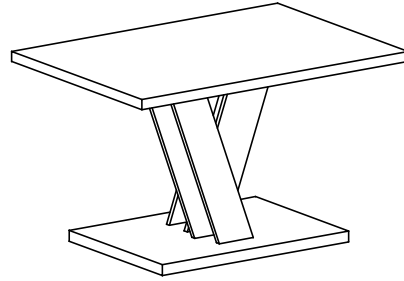


IMPORTANT INFORMATION:

- 1) REMOVE THE PROTECTIVE FOIL IF THE TABLE IS IN HIGH GLOSS
- 2) HIGH GLOSS SURFACE HARDENING TIME IS 2 HOURS
- 3) AFTER 2 HOURS, TO CLEAN THE SURFACE, USE ONLY SOFT CLOTHS (E.G. COTTON OR MICROFIBRE CLOTHS AVAILABLE IN STORES). WASH THE SURFACE WITH A 1% MIXTURE OF SOAPY WATER



40min



W2		x1
W1		x1

A2		x8
7 x 70		

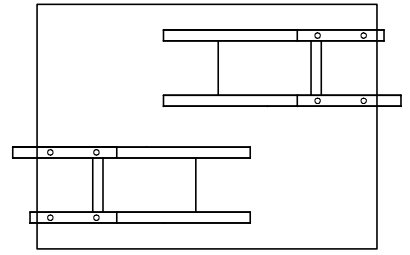
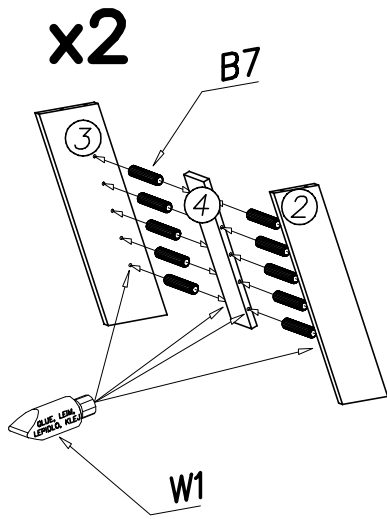
A4		x8
7 x 50		

B7		x20
8 x 30		

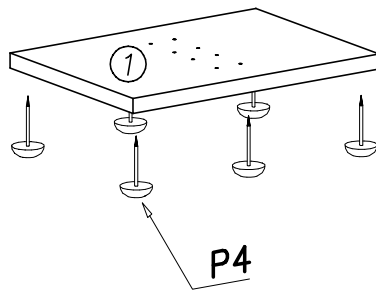
G27		x6
6,3 x 30		

P4		x6
----	--	----

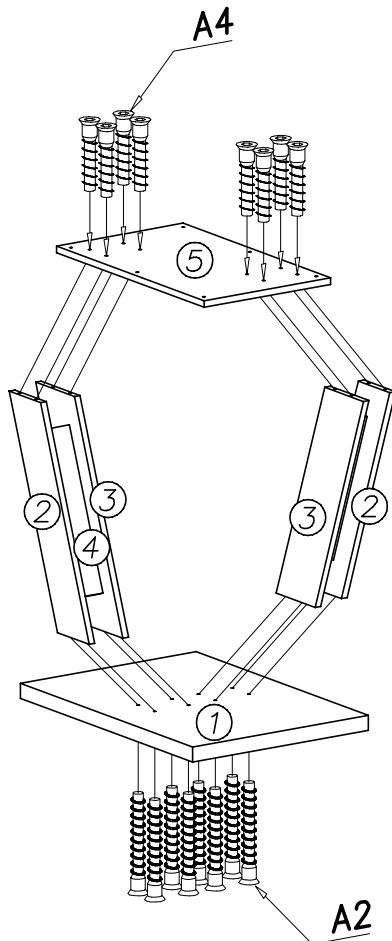
I



II



III



IV

