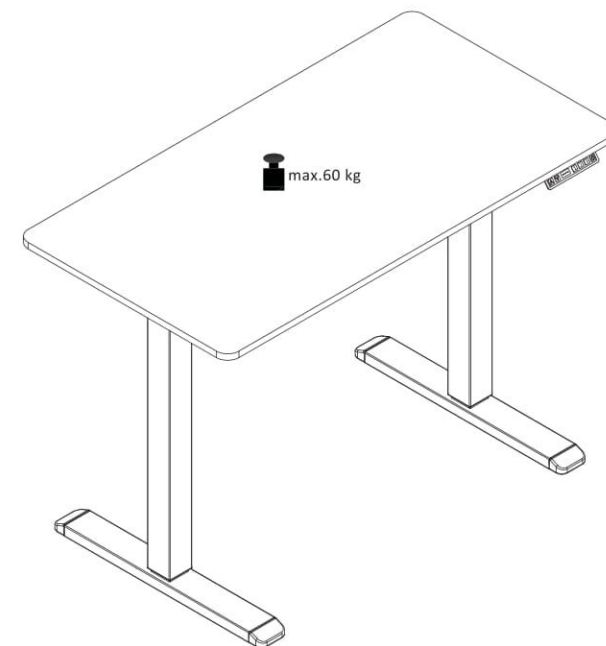
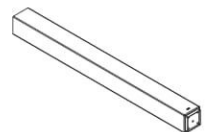


# B-54

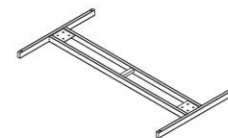




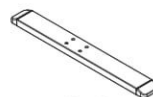
Ax1



Bx1



Cx1



Dx2



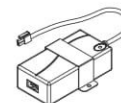
Ex1



Fx1



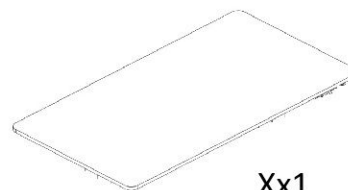
Gx1



Hx1



Ix1



Xx1



Jx8



Kx14



Lx14



Mx2



Nx6



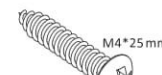
Ox2



Px2



Qx1



Rx2



Sx1



Tx1



Ux1

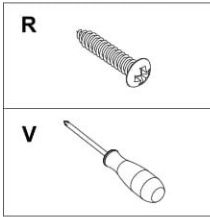
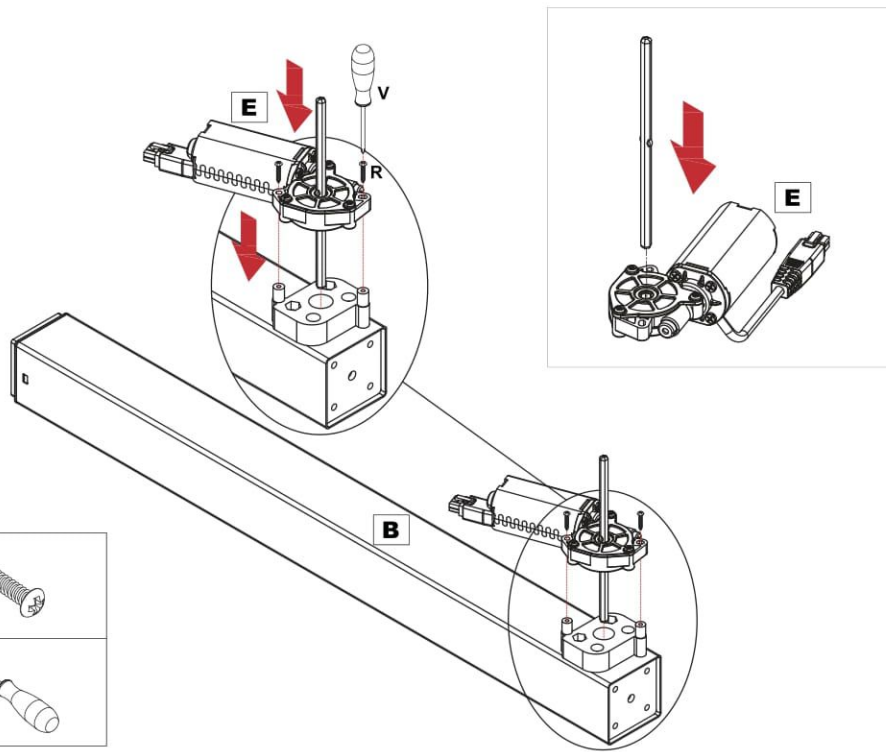


Vx1

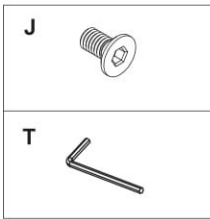
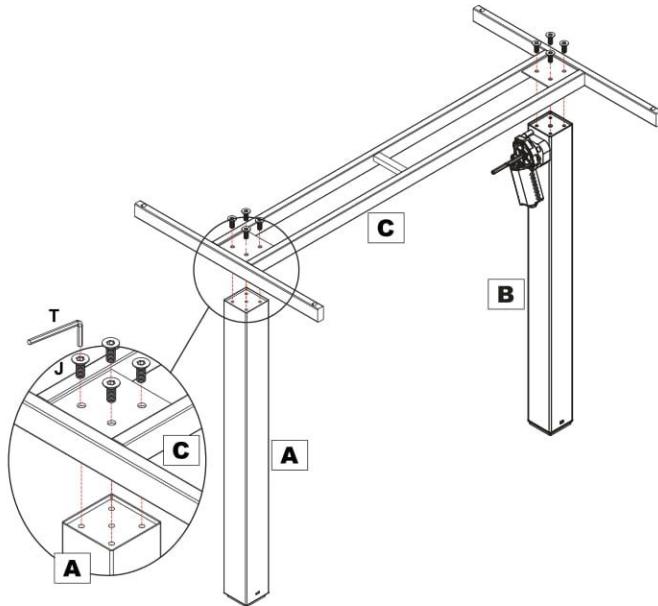


Wx1

1

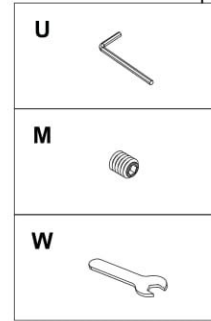
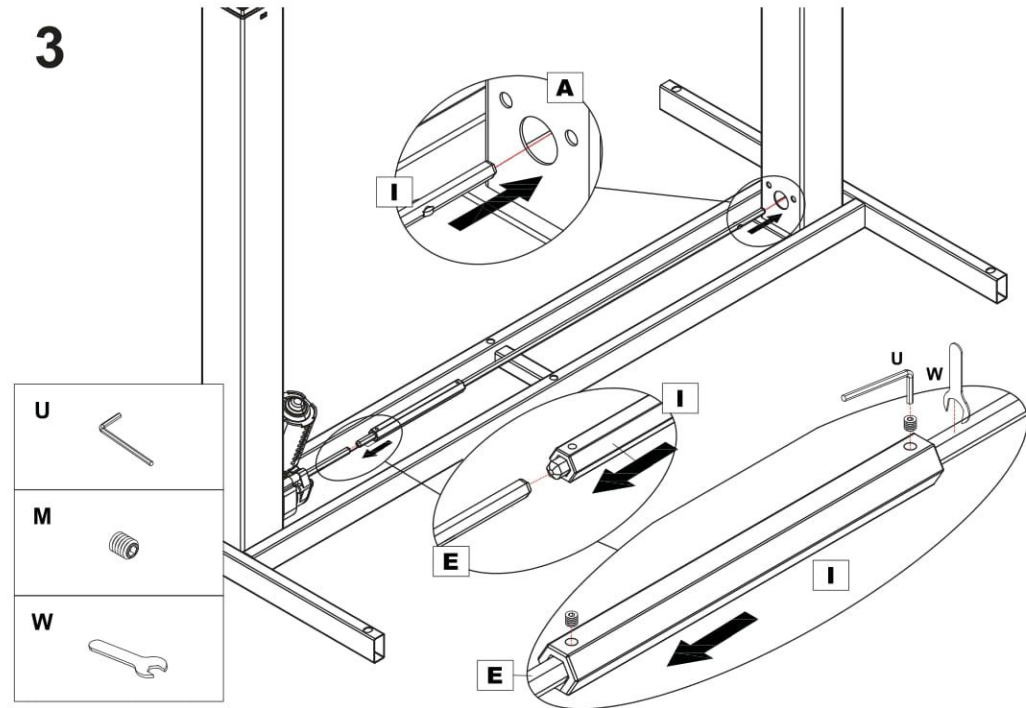


2

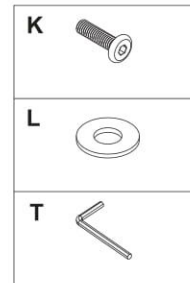
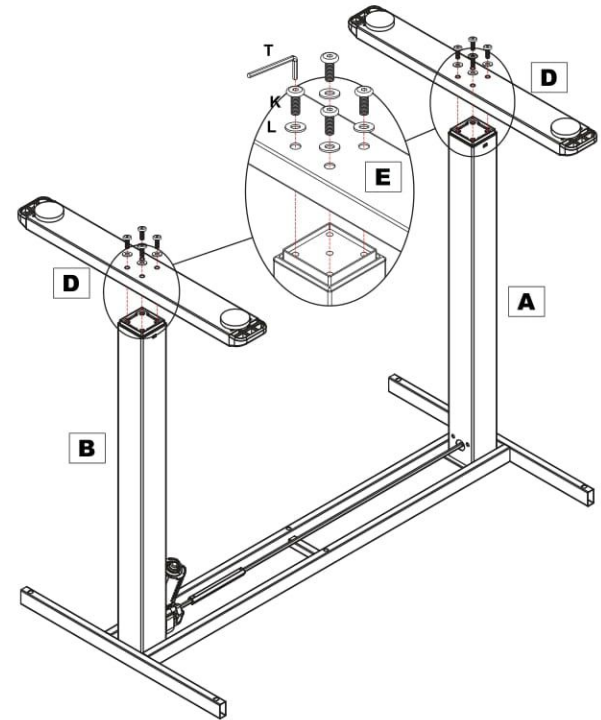


3

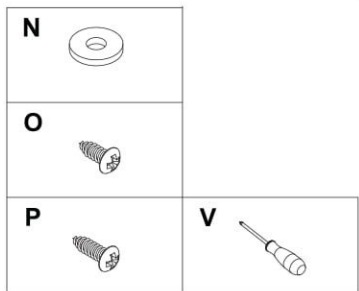
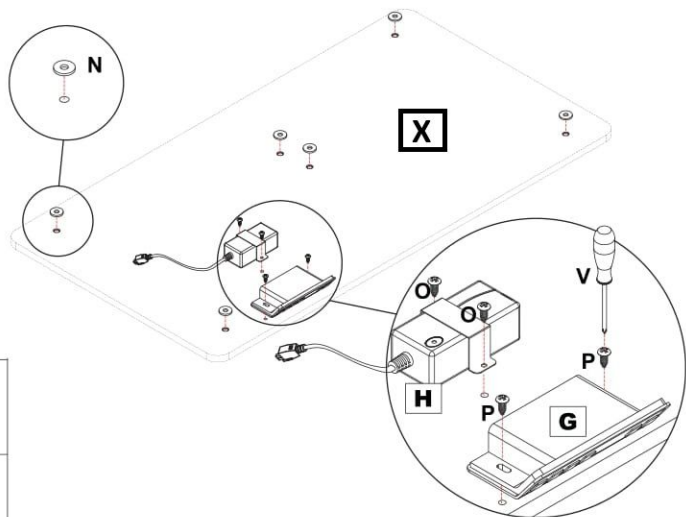
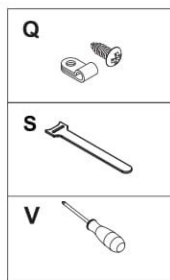
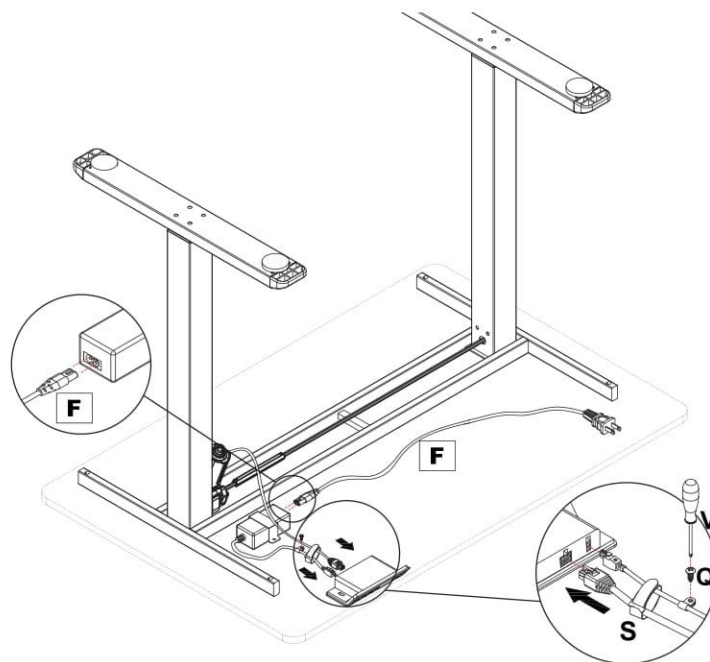
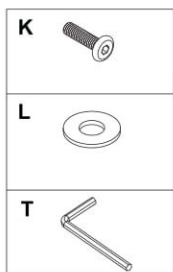
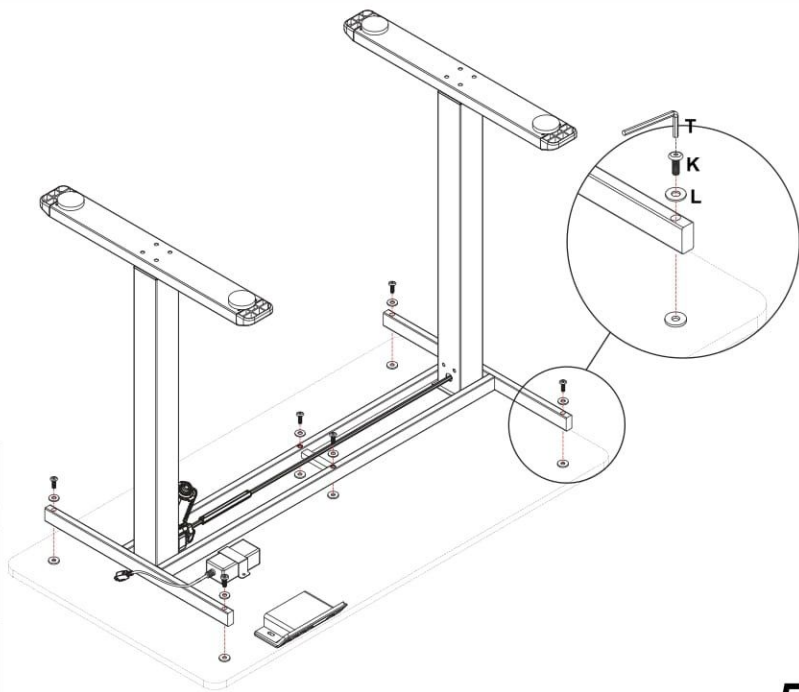
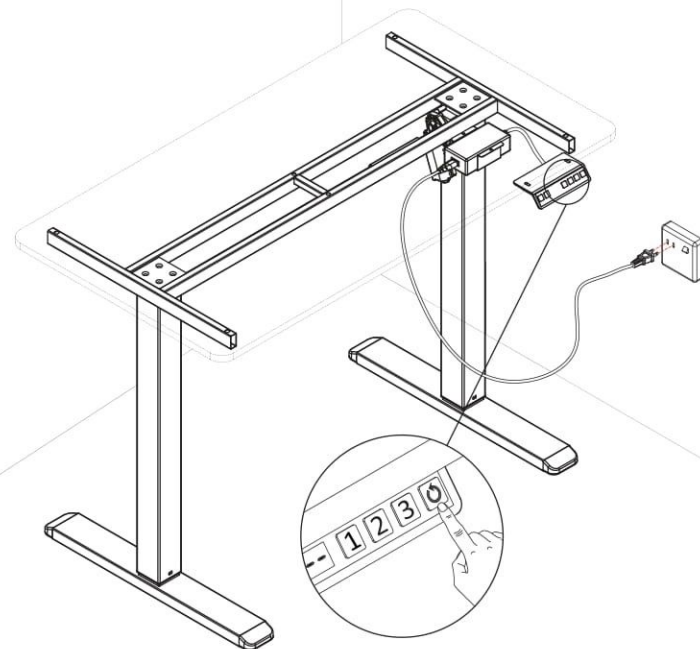
3



4



4

**5****7****6****8****5****6**