

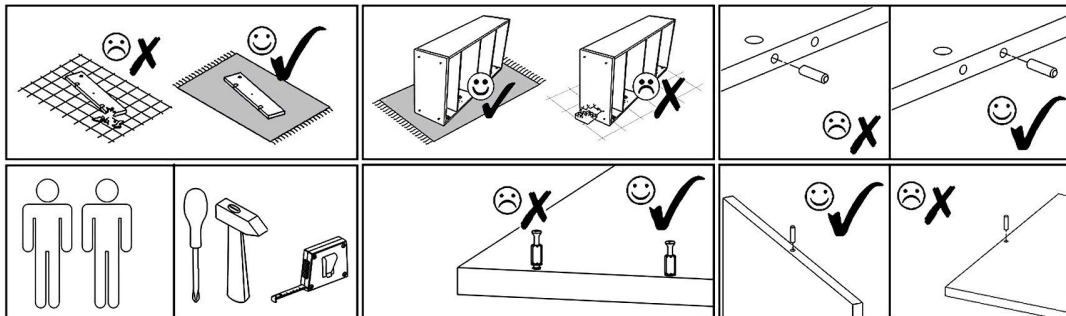
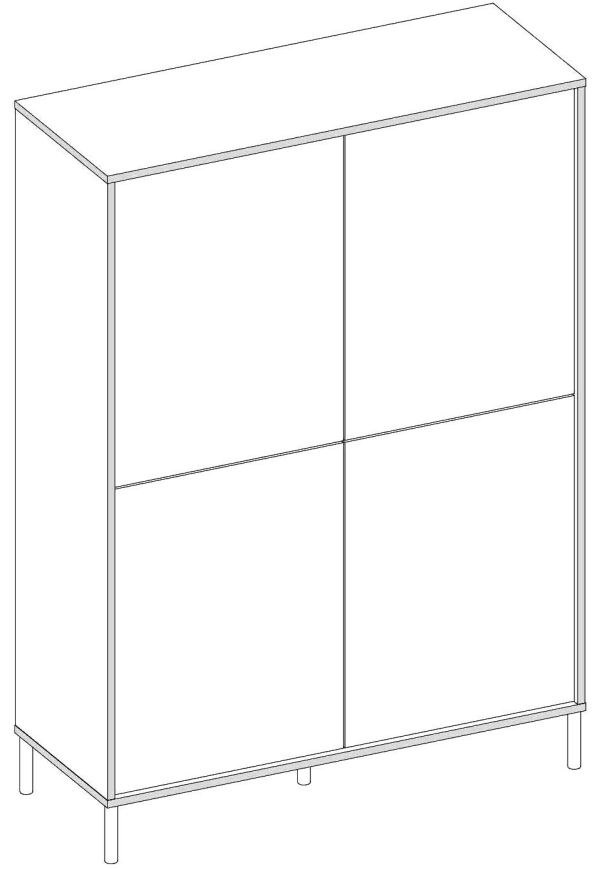
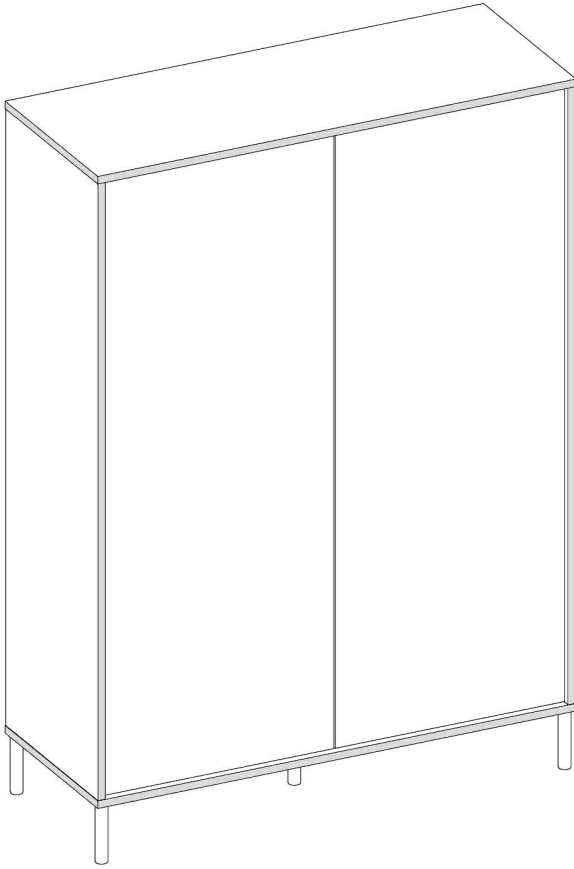
KAMARO 2DD_4DK

PRODUCTION DATE

PACKING CODE

2DD

4DK



N4 L=62mm x2	E3 8x50mm x2
----------------------------	----------------------------

T6 H=135mm x5	V30 x10
-----------------------------	-----------------------

Z1 x20

V7 2DD x2 4DK x4

V13 x1

B1 S/A ø17/4mm x8

B1 K ø17/4mm x8

B1 G ø17/4mm x8

A2 ZW x8

N1 L=35mm x16

M1 12x15mm x20

E1 8x30mm x16

R1 2DD x4 4DK x8

S1 6x8mm 3,5x16mm x16
--

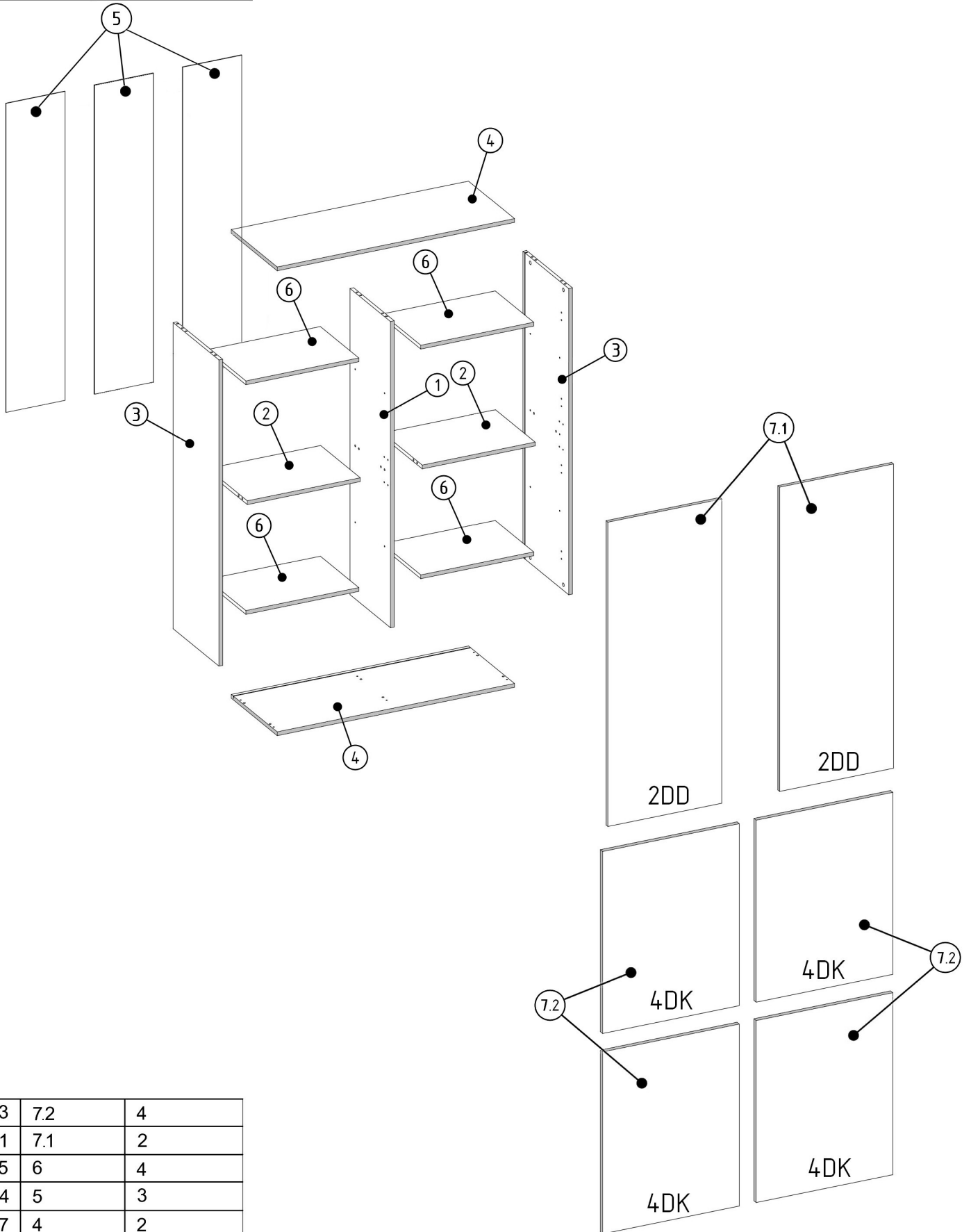
S9 4x16mm x15

V16 5x16mm x16




KAMARO 2DD_4DK

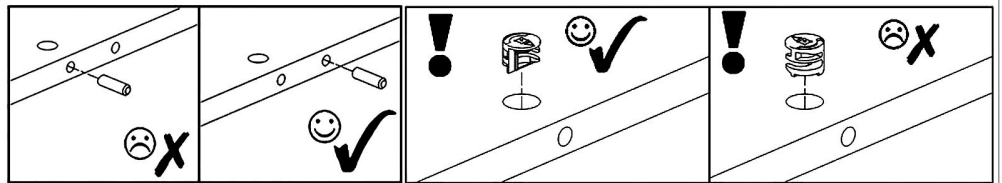
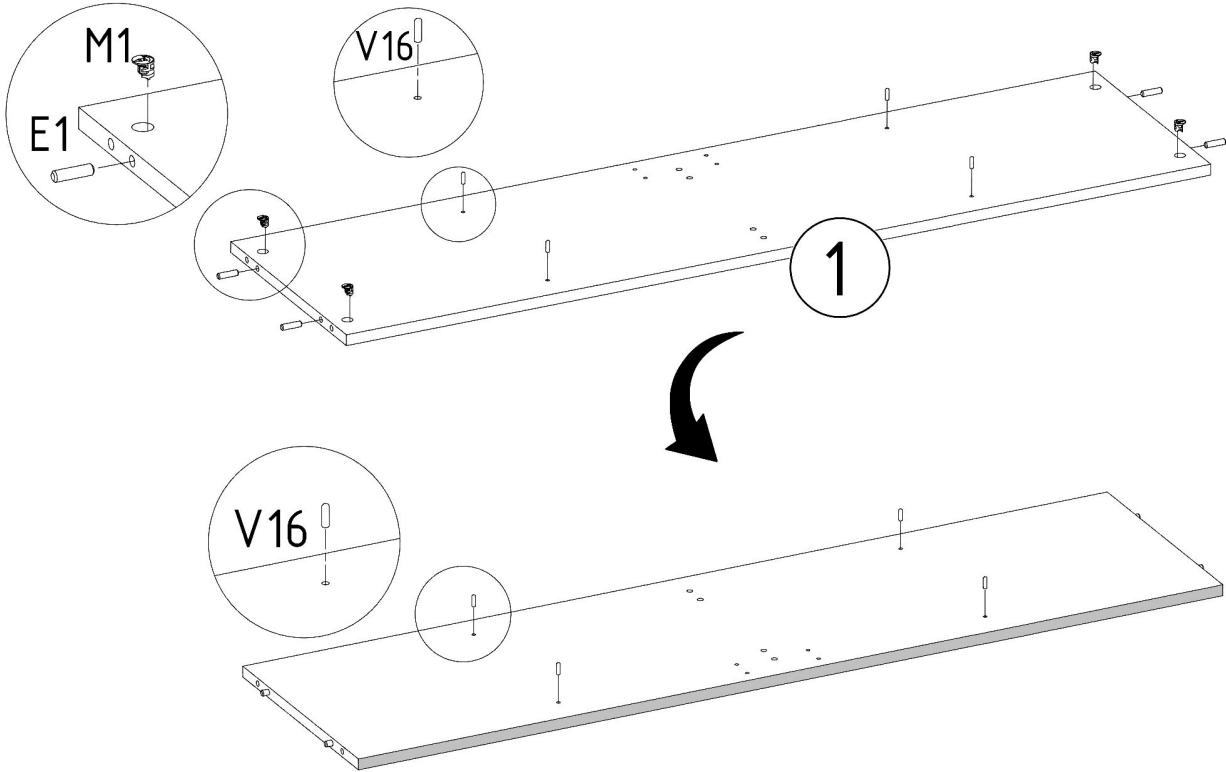
PRODUCTION DATE



PACKING CODE

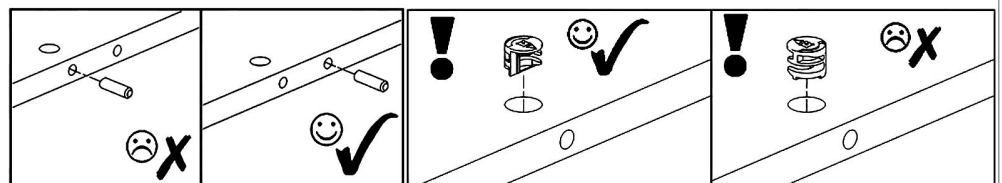
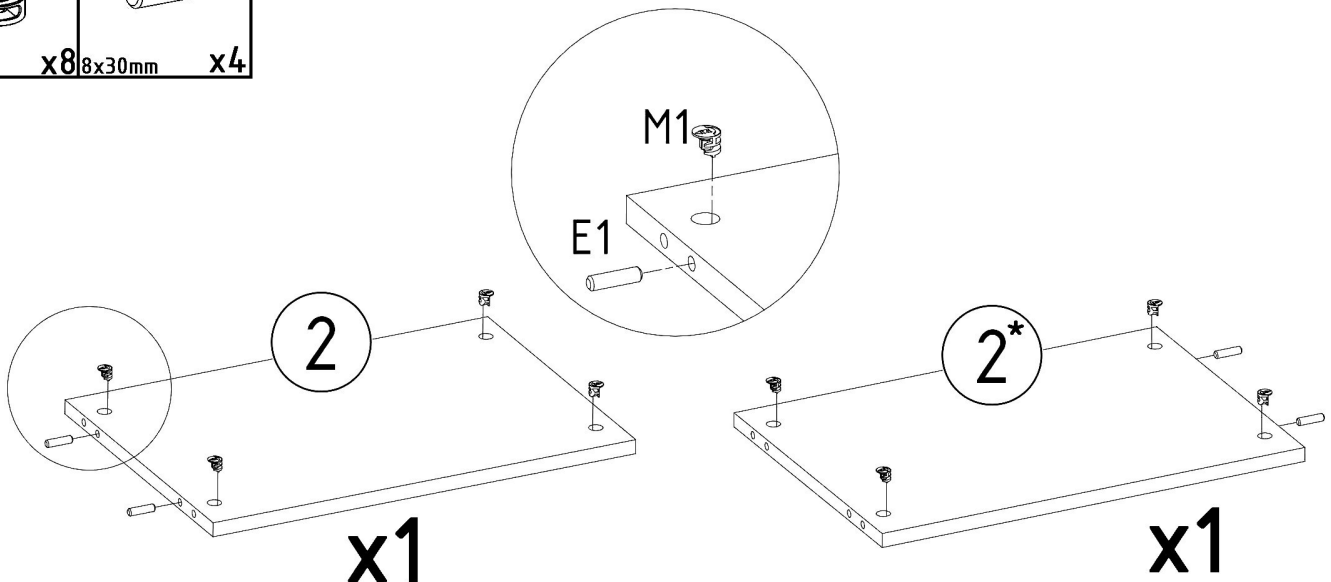


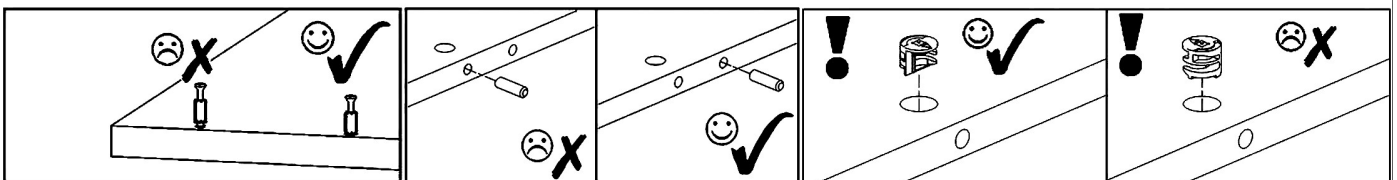
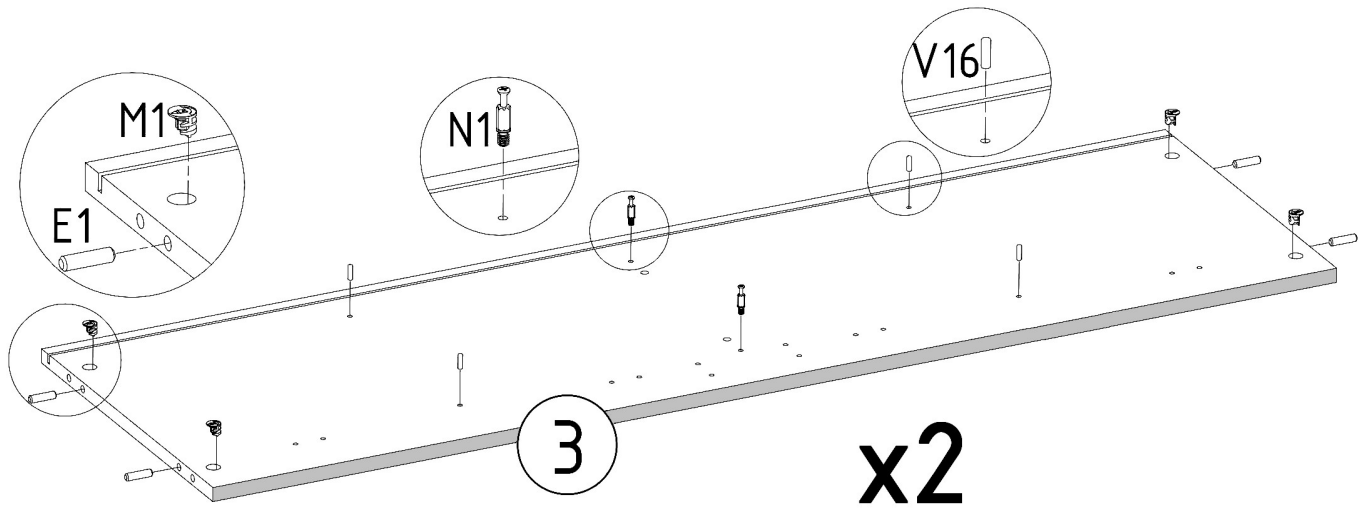
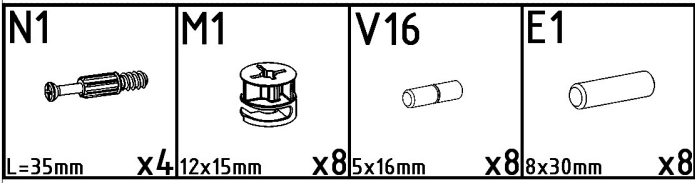
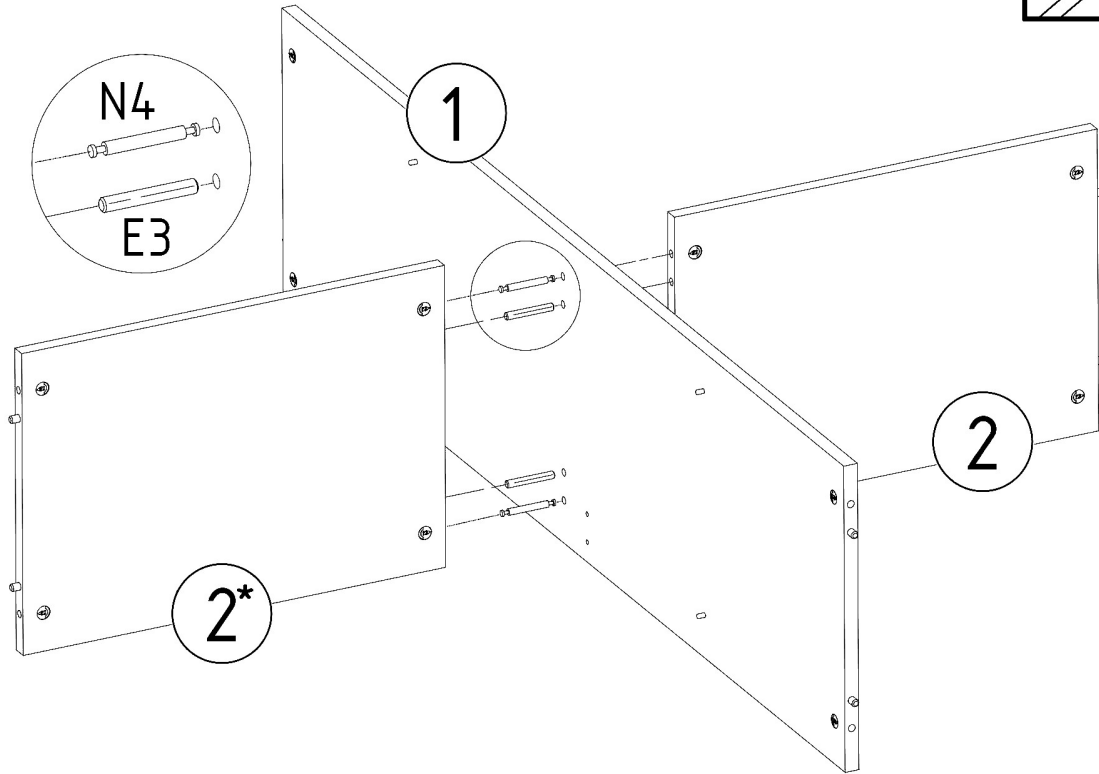
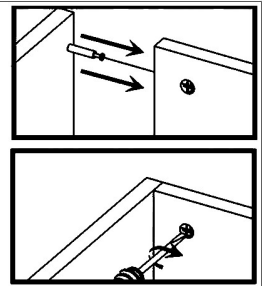
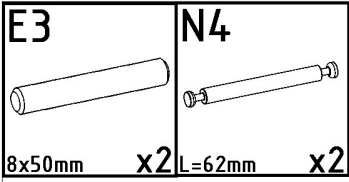
000773	7.2	4
000771	7.1	2
000775	6	4
000774	5	3
000777	4	2
000778	3	2
000779	2	2
000776	1	1
ID	NUMBER	QUANTITY

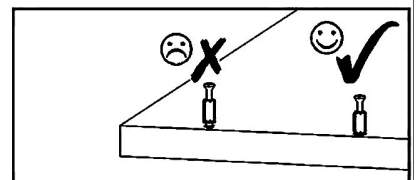
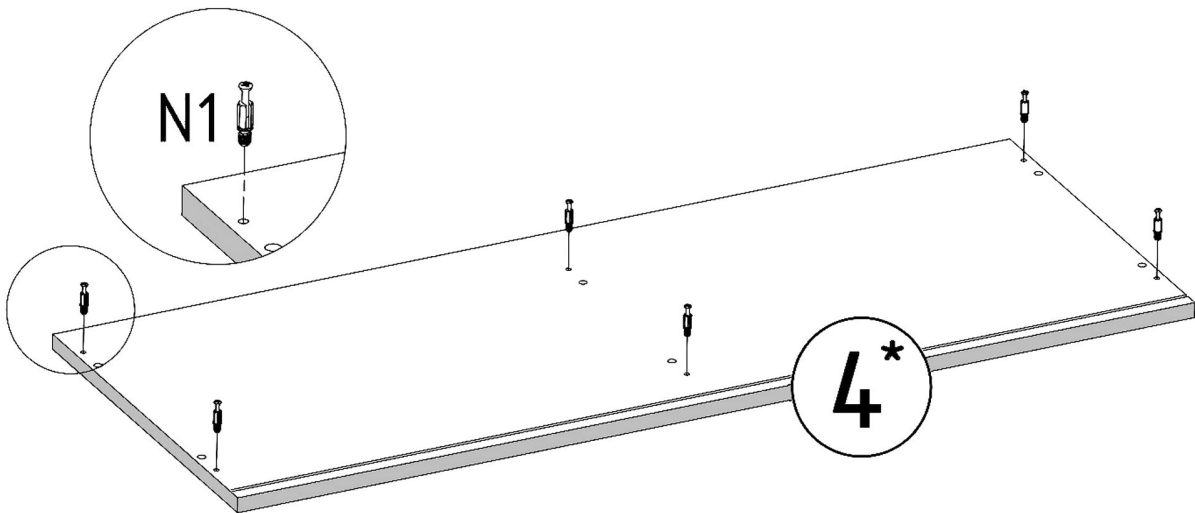
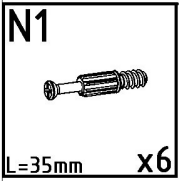
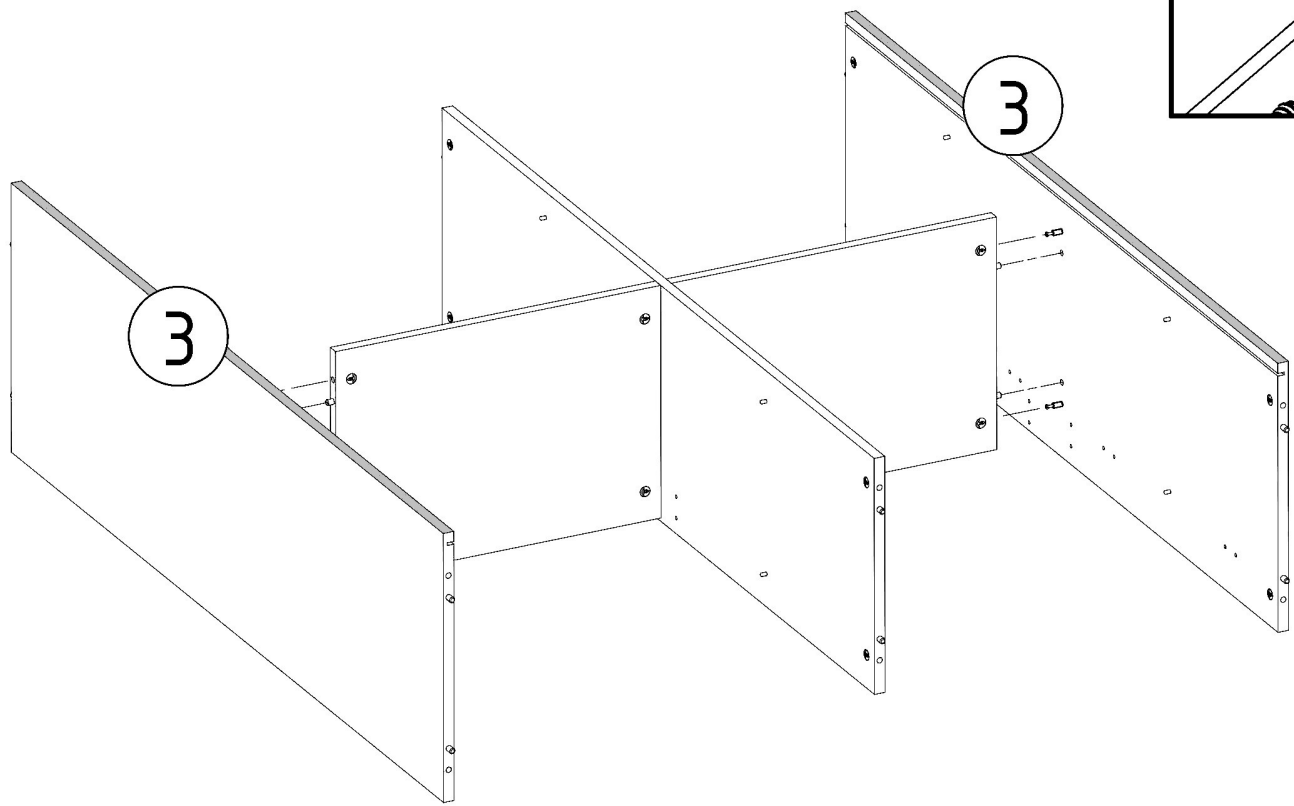
M1  12x15mm	V16  5x16mm	E1  8x30mm
x4	x8	x4



M1  12x15mm	E1  8x30mm
x8	x4





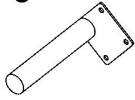


S9



4x16mm x15

T6

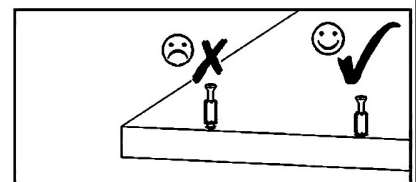
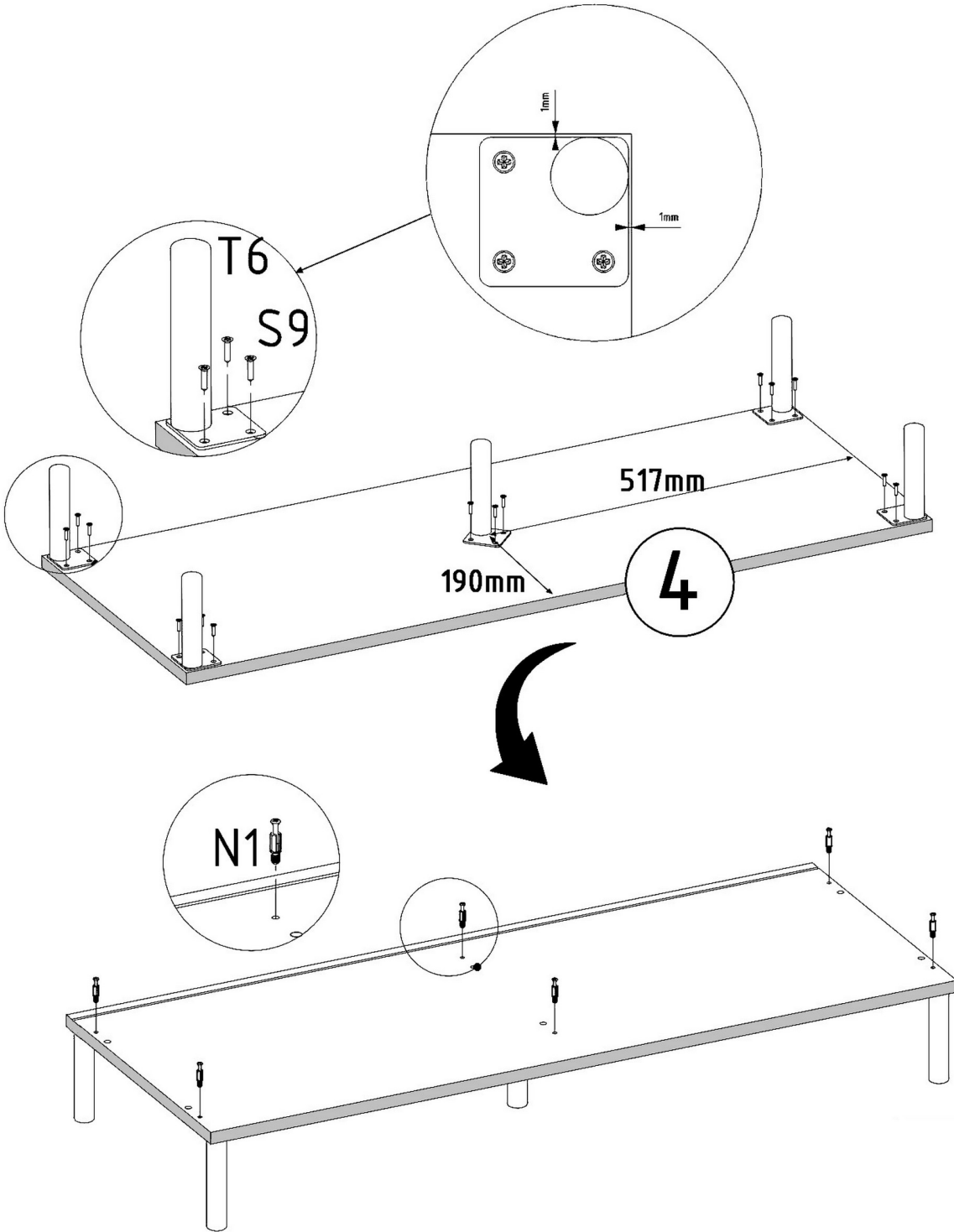


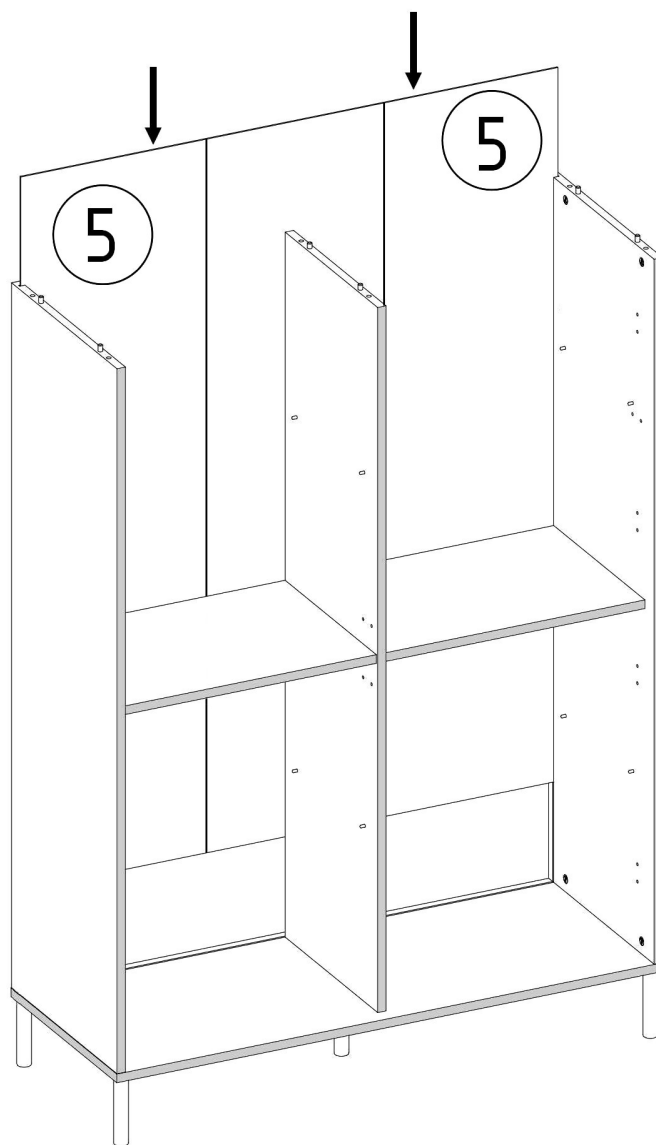
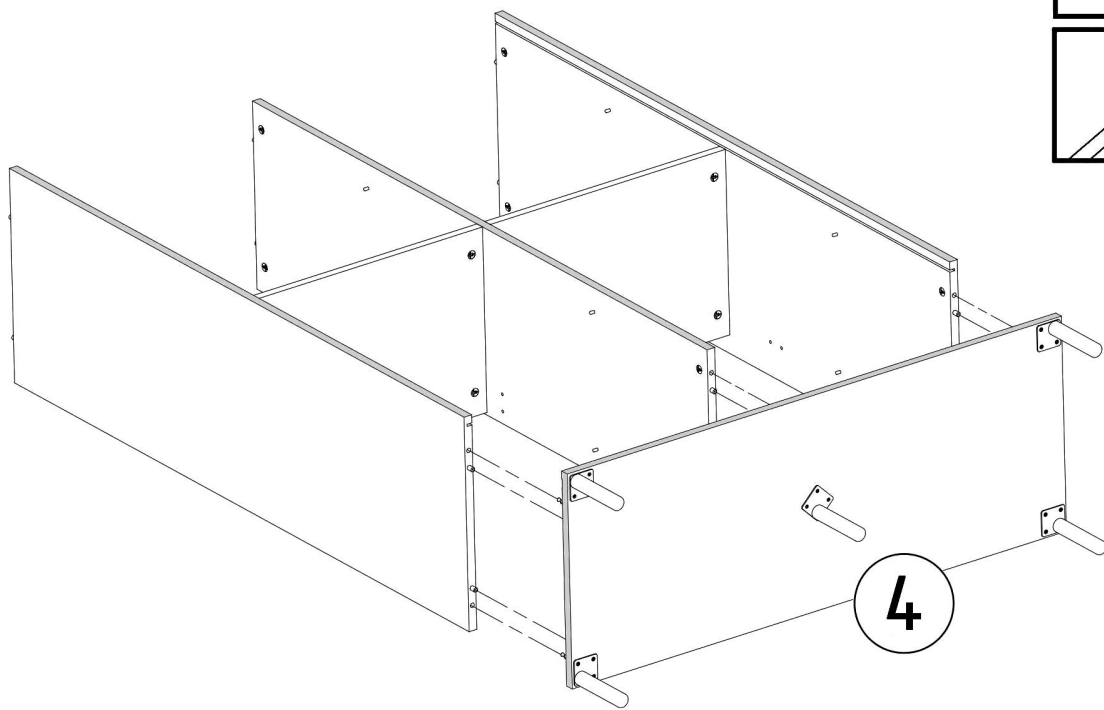
H=135mm

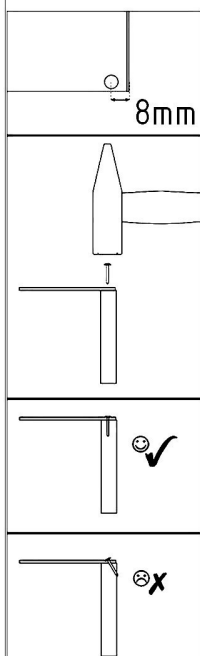
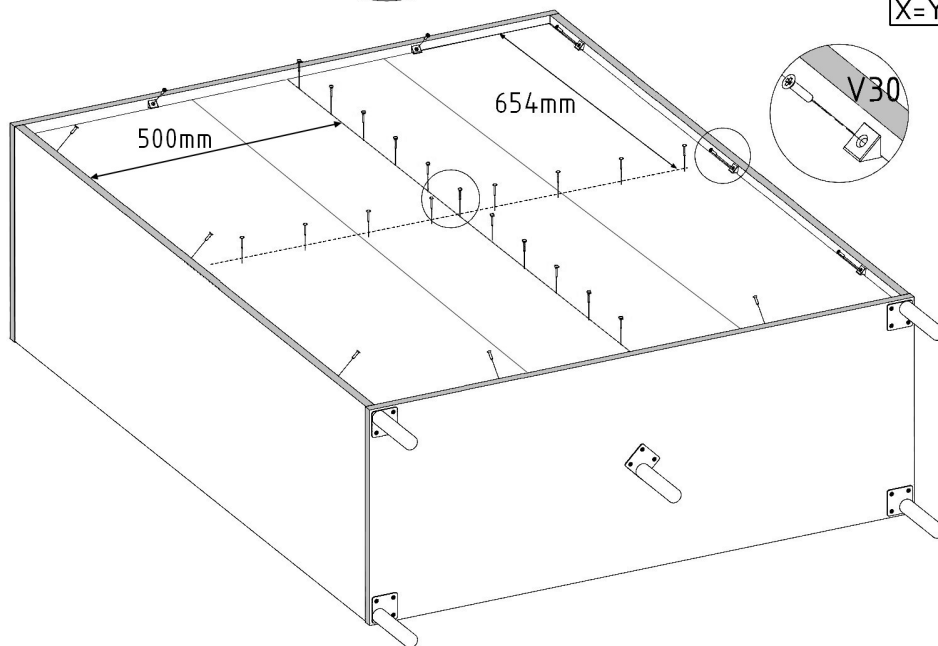
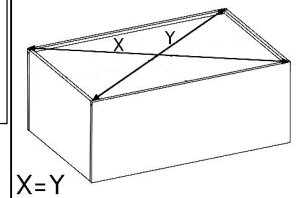
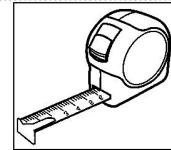
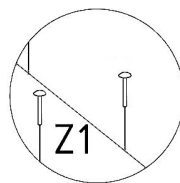
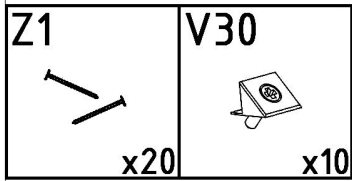
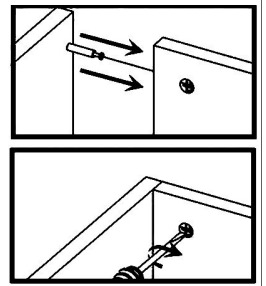
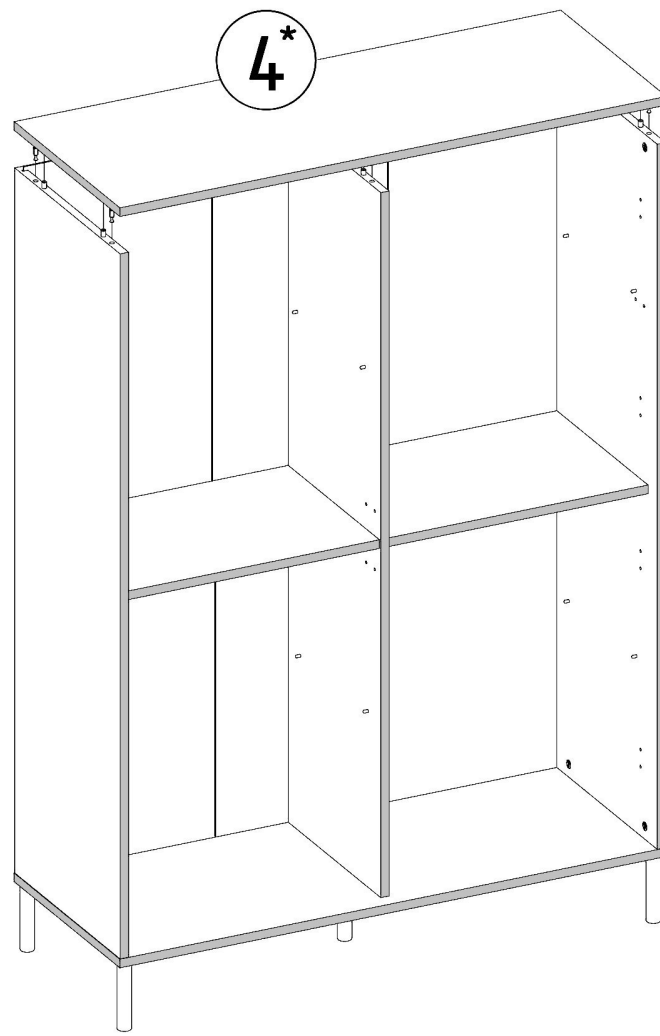
N1



L=35mm x6







A2

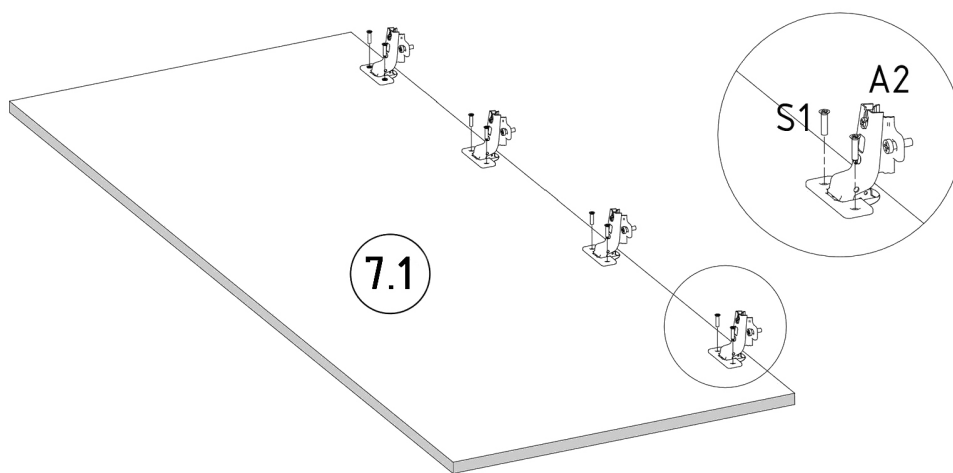


S1



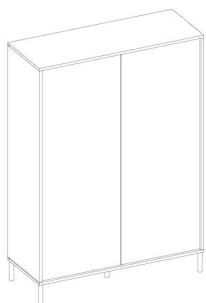
ZW

x8 3,5x16mm x16

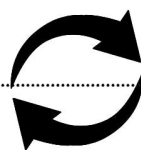


7.1

2DD



x2



A2

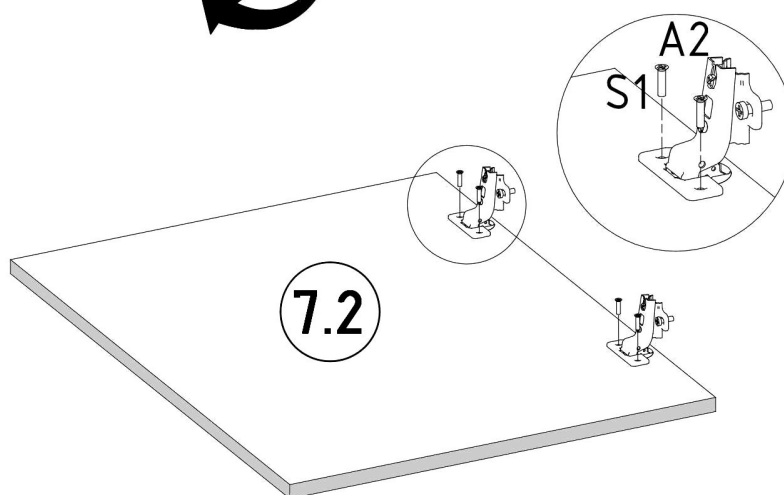


S1



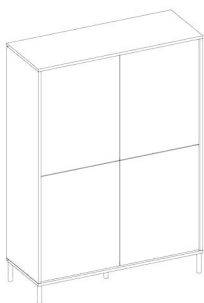
ZW

x8 3,5x16mm x16



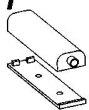


7.2

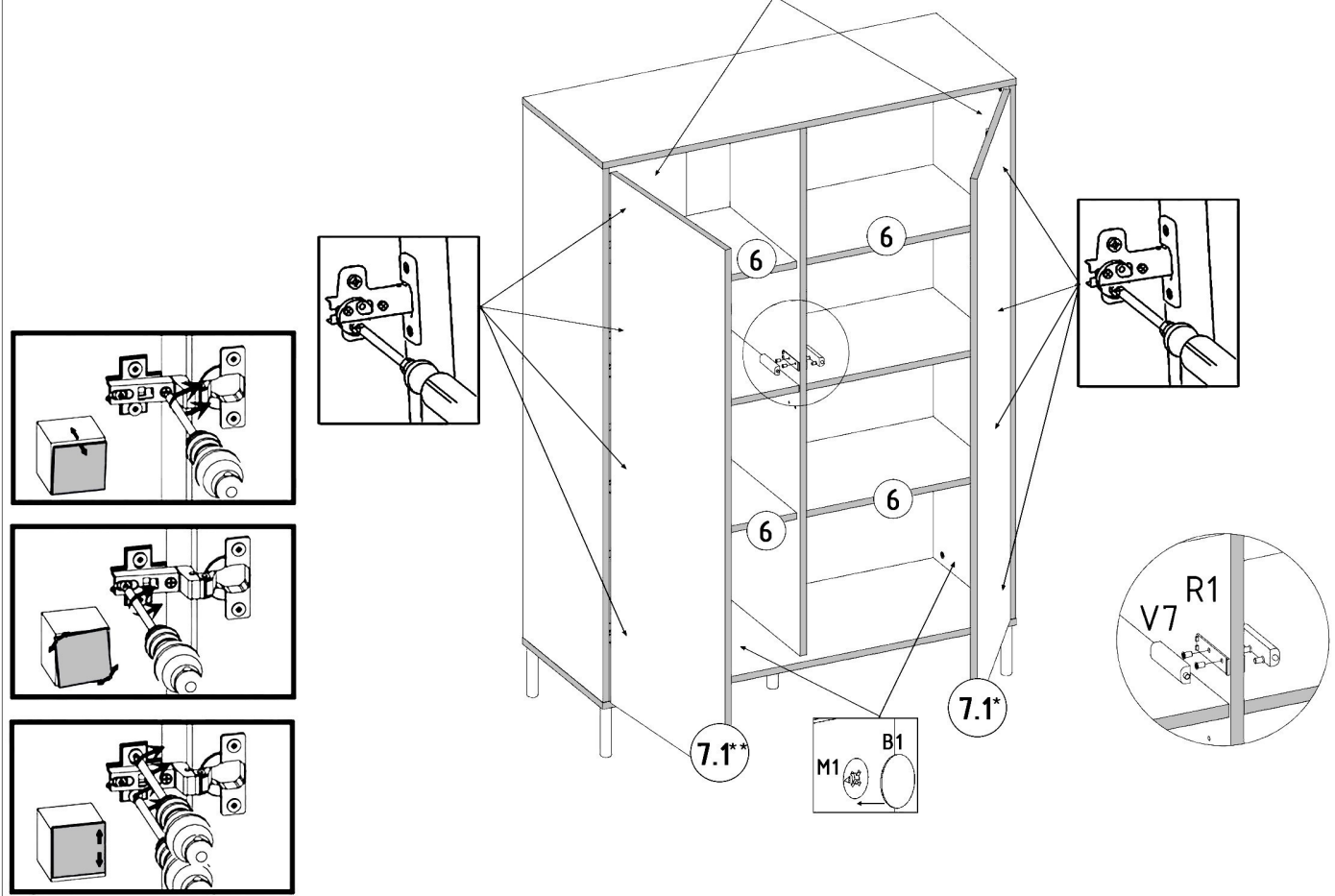
4DK

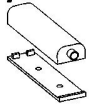




x4

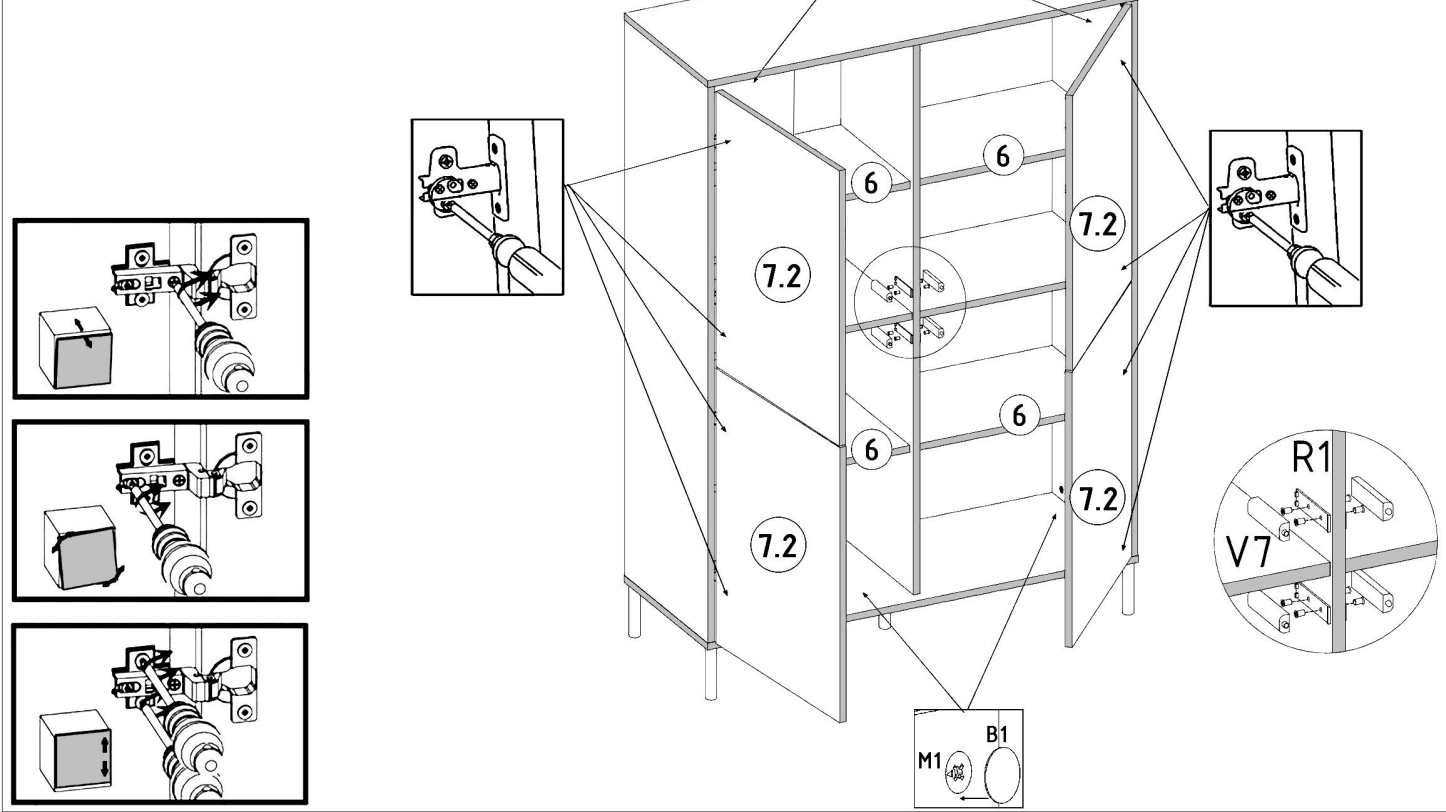
2DD

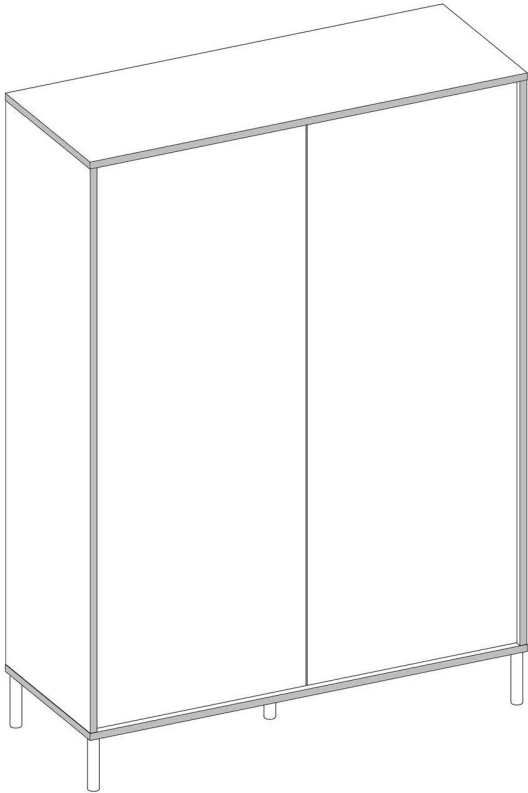
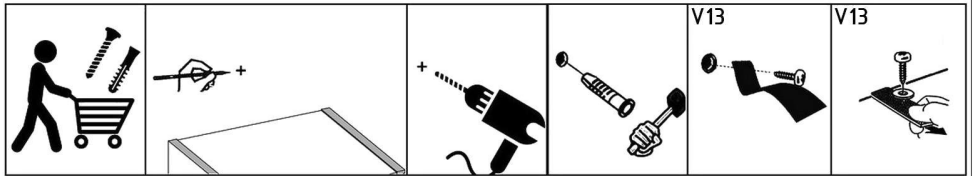
V7  x2 6x8mm	R1  x4 $\phi 17/4$ mm	B1  x8
--	--	---



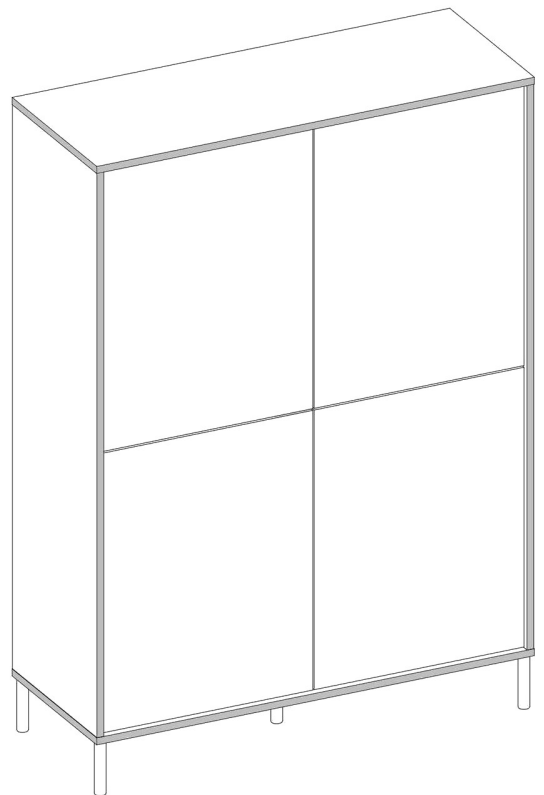
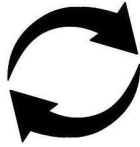
V7  x4 6x8mm	R1  x8 $\phi 17/4$ mm	B1  x8
---	---	--

4DK





2DD



4DK