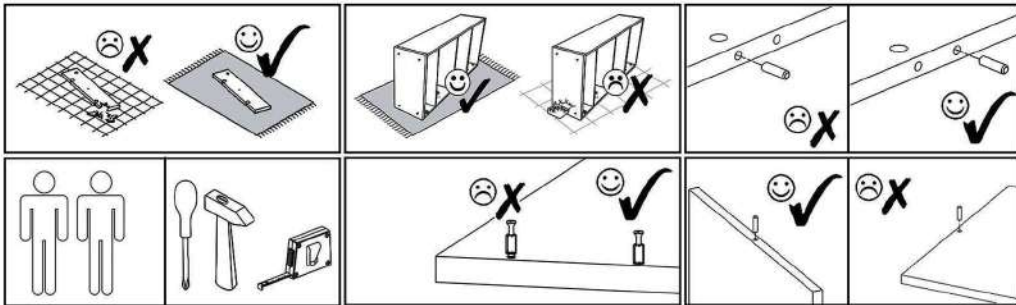
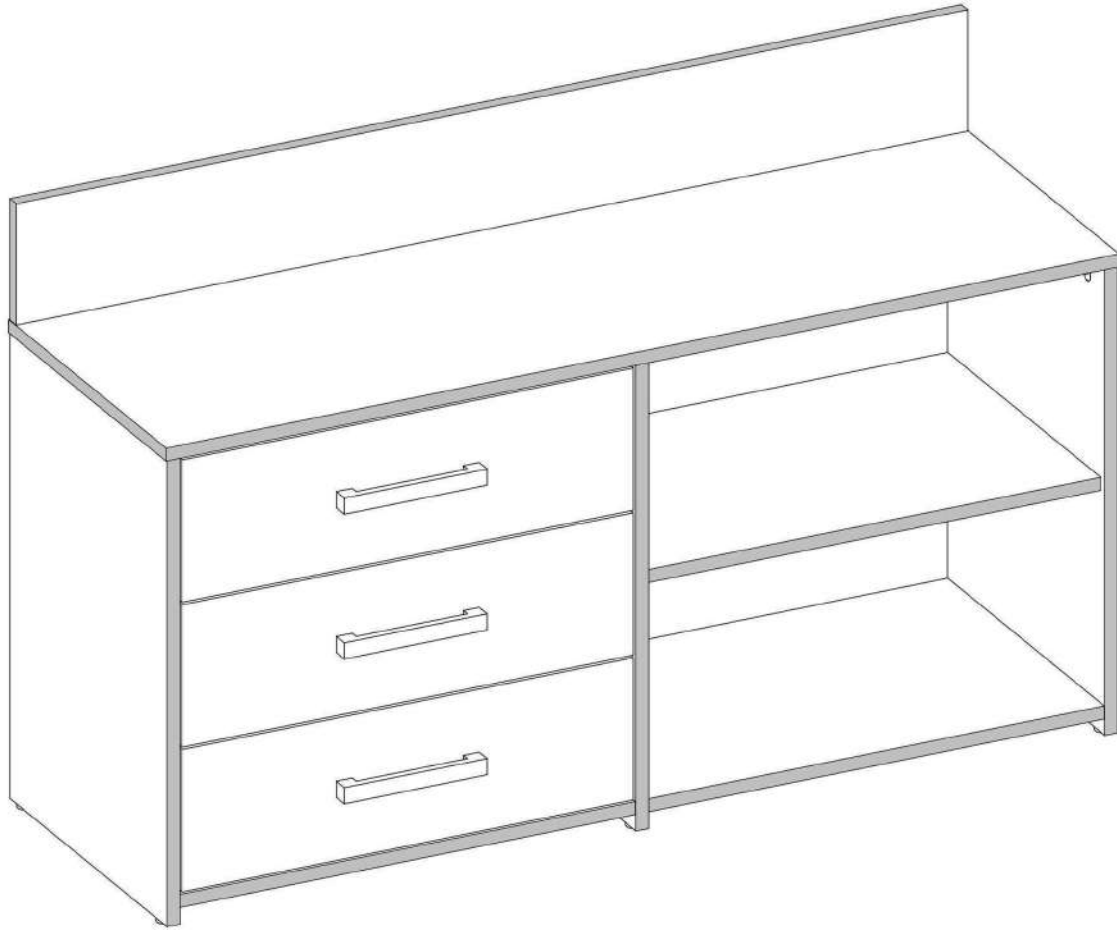


DANY/DANY "Z"

PRODUCTION DATE

PACKING CODE

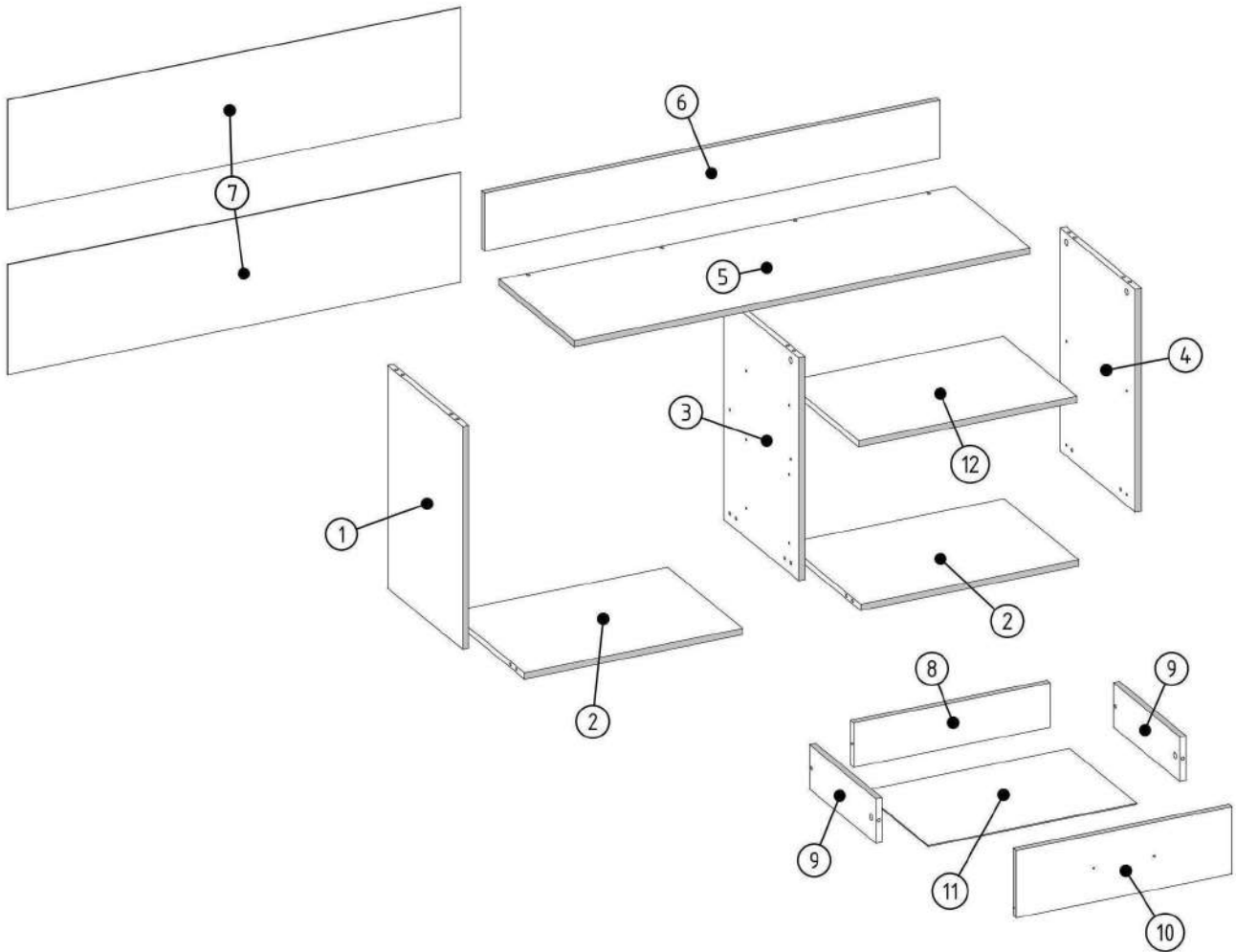


| | | | | | | | |
|----------------------------------|------------------------------------|------------------------------------|-------------------------------------------|-------------------------------------------|----------------------------|------------------------------------------|---------------------------------|
| B1 B ø17/4mm x8 | B1 S/A ø17/4mm x2 | B1 Ant ø17/4mm x2 | B1 DANY "Z" K ø17/4mm x2 | B1 DANY "Z" G ø17/4mm x2 | | | |
| N1 L=35mm x16 | M1 12x15mm x20 | N4 L=62mm x2 | S1 3,5x16mm x12 | E1 8x30mm x10 | R1 6x8mm x12 | U7 DANY "Z" L=180/160mm x3 | U7 L=180/160mm x3 |
| Z1 x70 | F1 7x50mm x10 | V16 5x16mm x4 | F3 Hex 4mm x1 | R8 4x30mm x6 | E3 8x50mm x2 | T1 x6 | P3 L=350mm x3 |







DANY/DANY "Z"

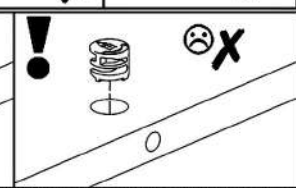
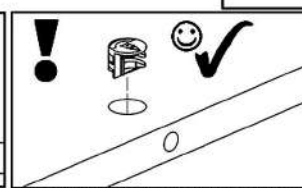
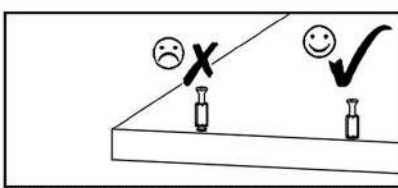
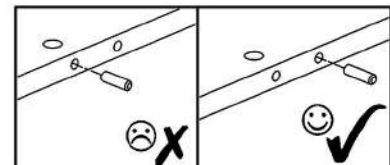
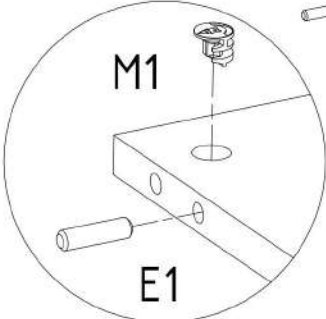
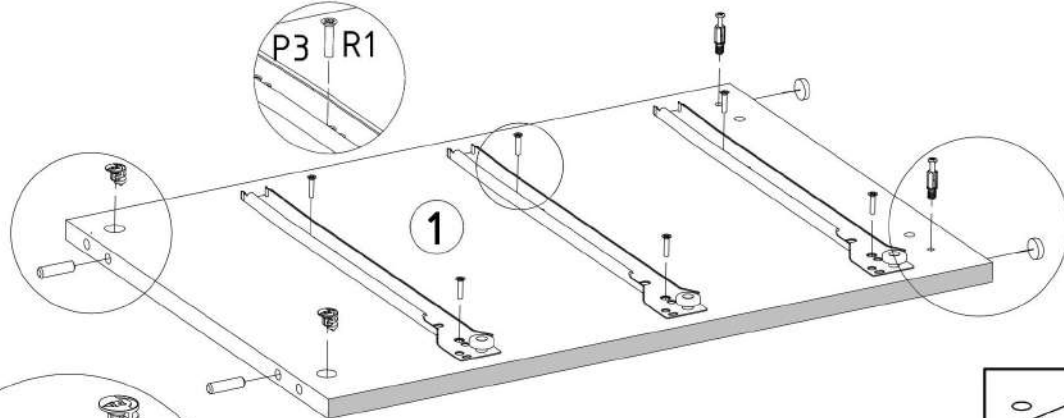
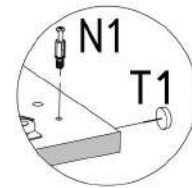
PRODUCTION DATE



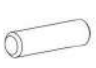
PACKING CODE

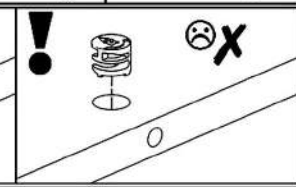
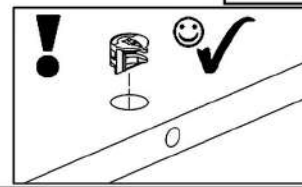
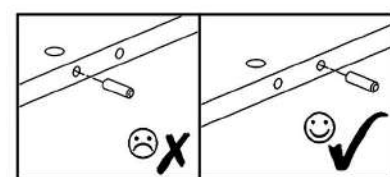
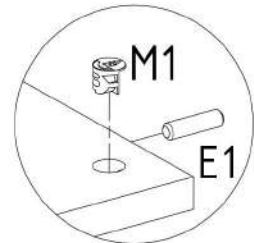
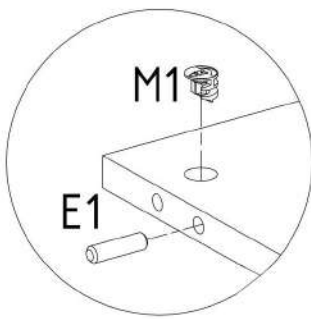
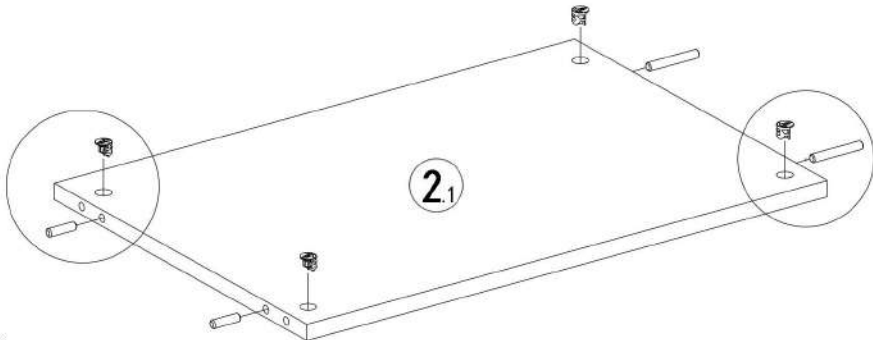
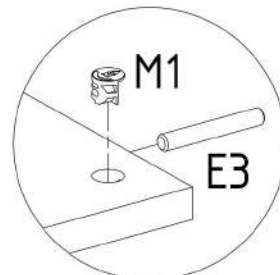




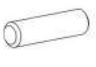


| | | |
|--------|--------|----------|
| 000112 | 12 | 1 |
| 000105 | 11 | 3 |
| 000110 | 10 | 3 |
| 000053 | 9 | 6 |
| 000101 | 8 | 3 |
| 000243 | 7 | 2 |
| 000268 | 6 | 1 |
| 000248 | 5 | 1 |
| 000115 | 4 | 1 |
| 000116 | 3 | 1 |
| 000113 | 2 | 2 |
| 000114 | 1 | 1 |
| ID | NUMBER | QUANTITY |

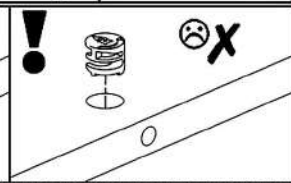
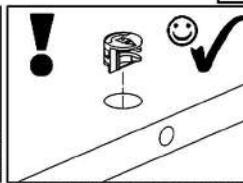
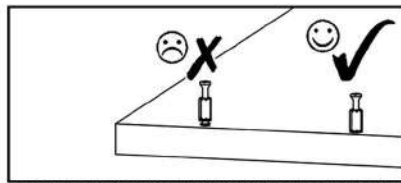
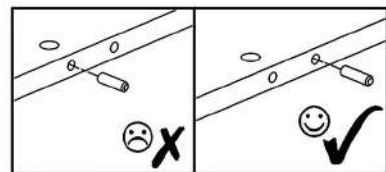
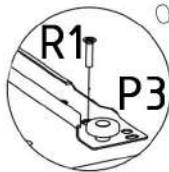
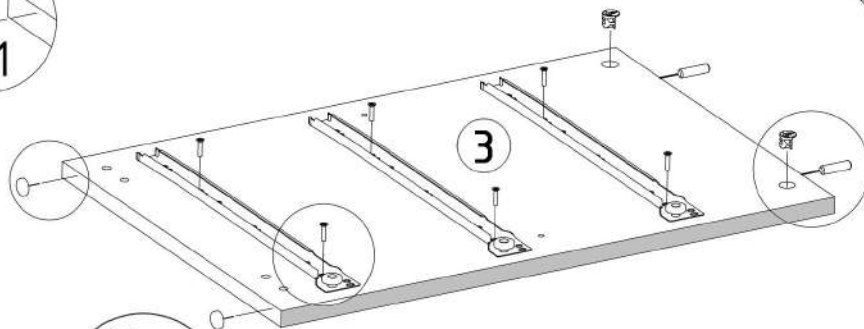
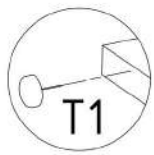
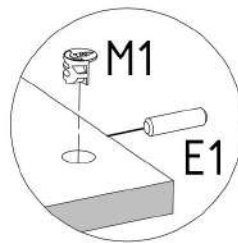
| | | | | | |
|-------------------------------------------------------------------------------------------------------------|------------------------------------------------------------------------------------------------------------|------------------------------------------------------------------------------------------------------------|-----------------------------------------------------------------------------------------------------------|-------------------------------------------------------------------------------------------------------------|------------------------------------------------------------------------------------------------------|
| M1  12x15mm x2 | N1  L=35mm x2 | E1  8x30mm x2 | R1  6x8mm x6 | P3  L=350mm x3 | T1  x2 |
|-------------------------------------------------------------------------------------------------------------|------------------------------------------------------------------------------------------------------------|------------------------------------------------------------------------------------------------------------|-----------------------------------------------------------------------------------------------------------|-------------------------------------------------------------------------------------------------------------|------------------------------------------------------------------------------------------------------|



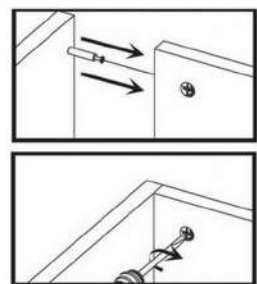
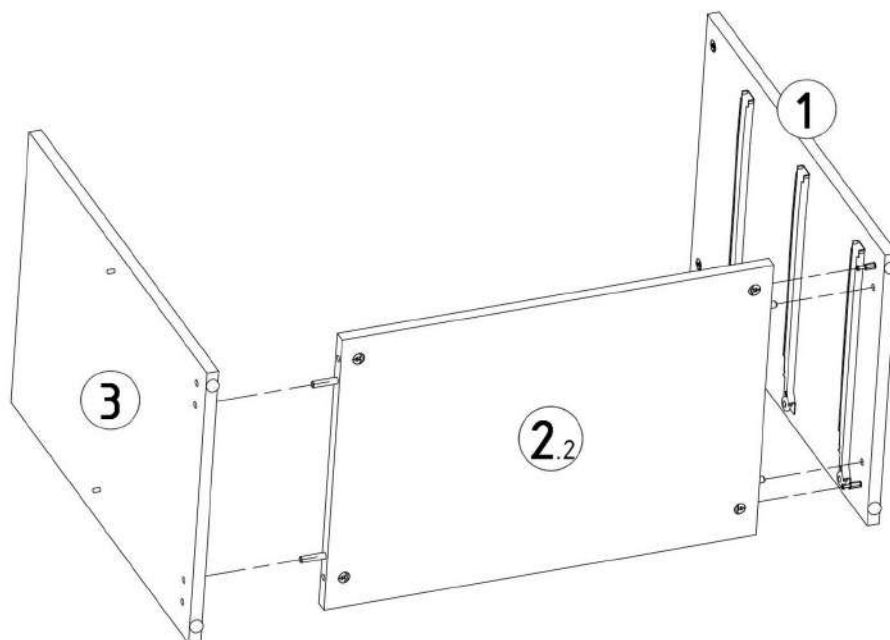
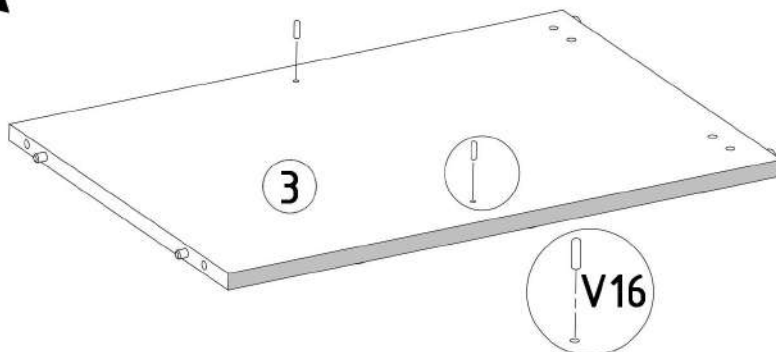
| | | |
|---------------------------------------------------------------------------------------------------------------|--------------------------------------------------------------------------------------------------------------|--------------------------------------------------------------------------------------------------------------|
| M1  12x15mm x8 | E3  8x50mm x2 | E1  8x30mm x4 |
|---------------------------------------------------------------------------------------------------------------|--------------------------------------------------------------------------------------------------------------|--------------------------------------------------------------------------------------------------------------|

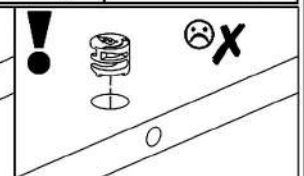
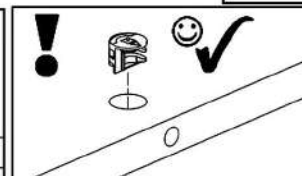
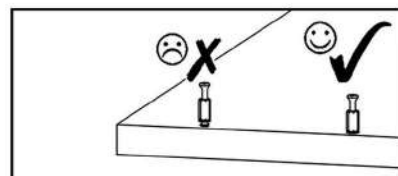
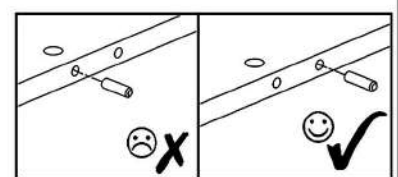
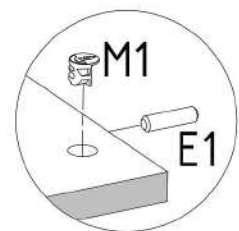
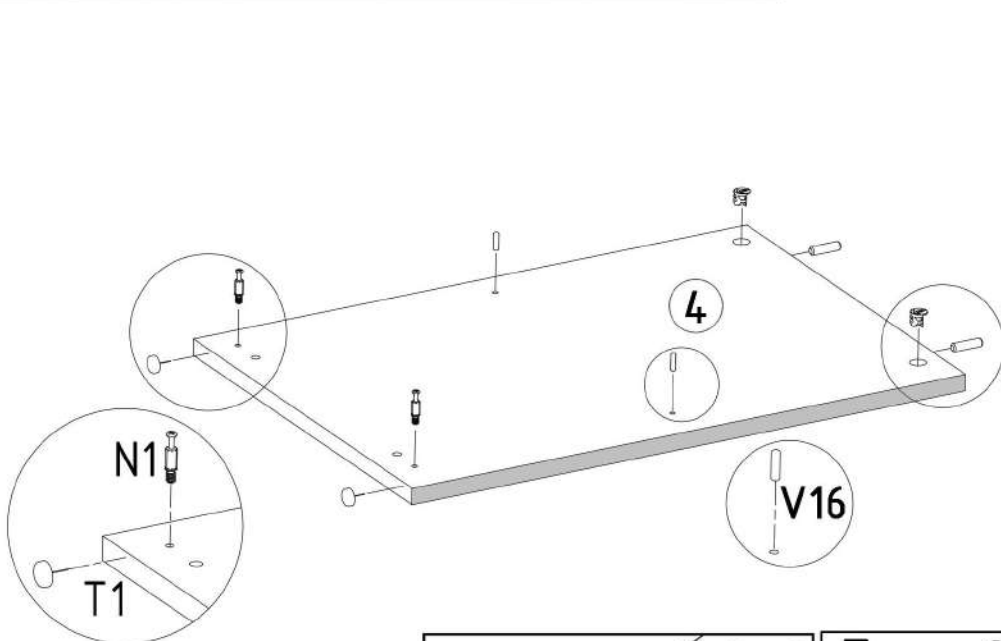
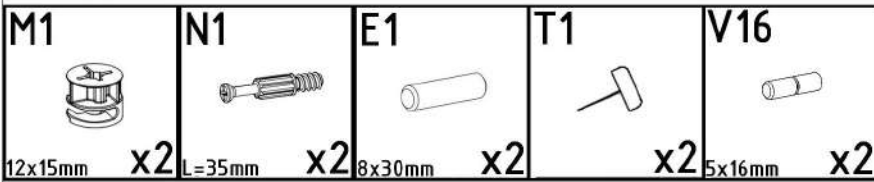
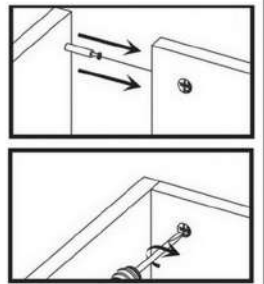
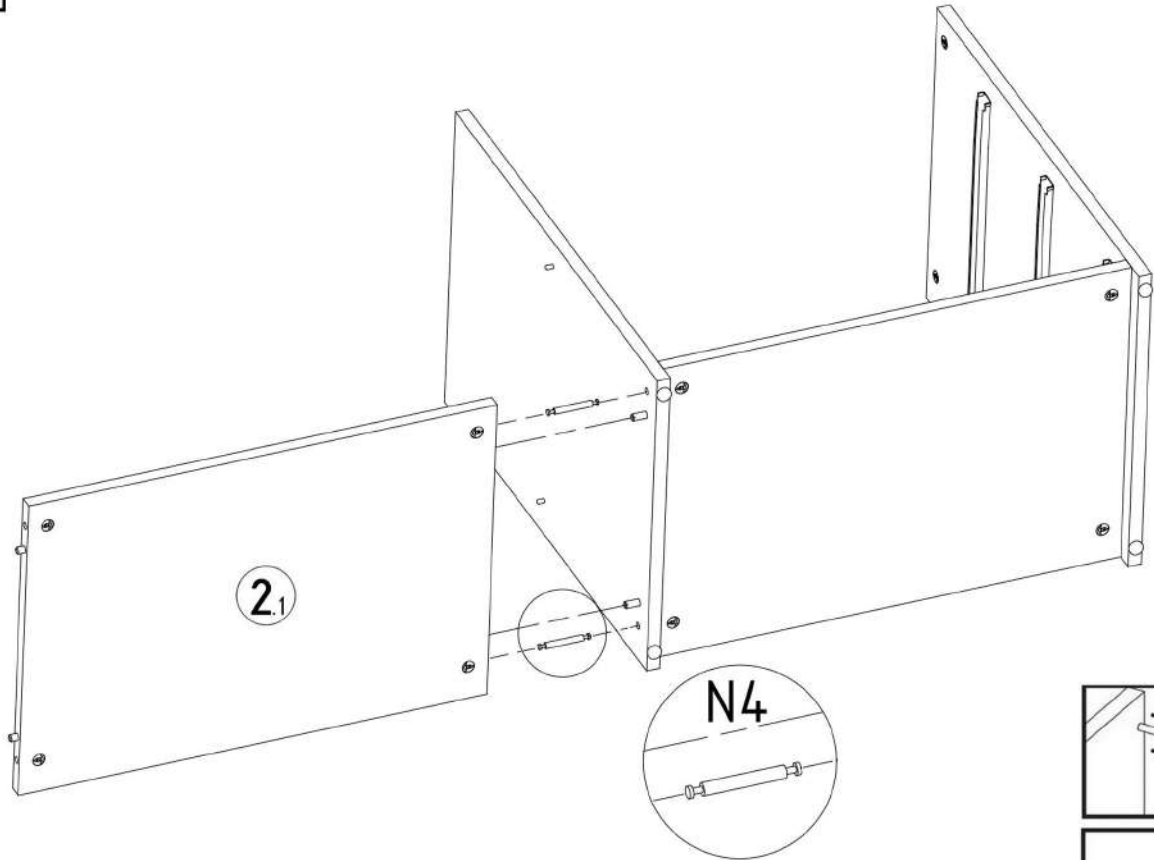


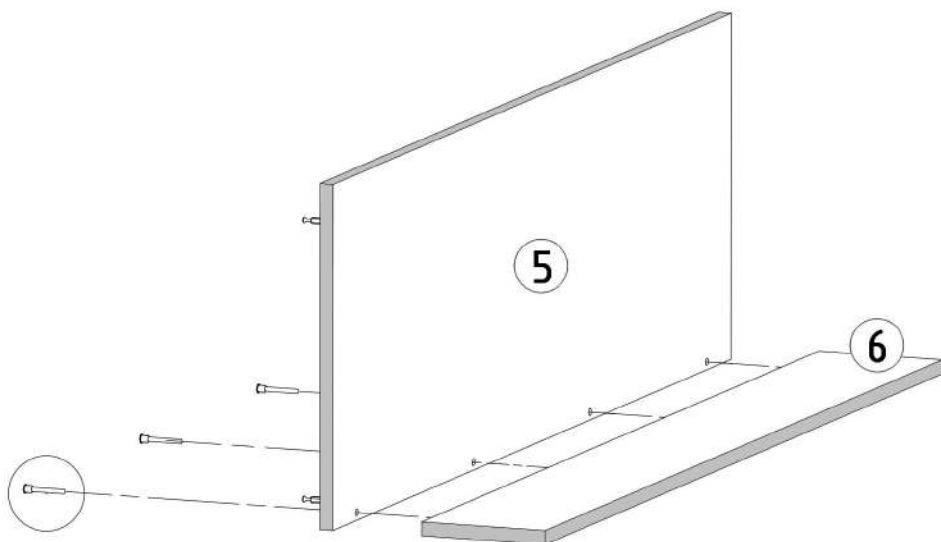
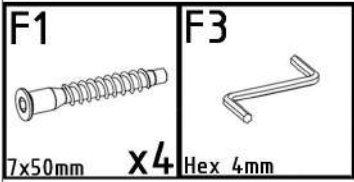
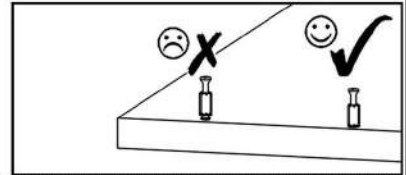
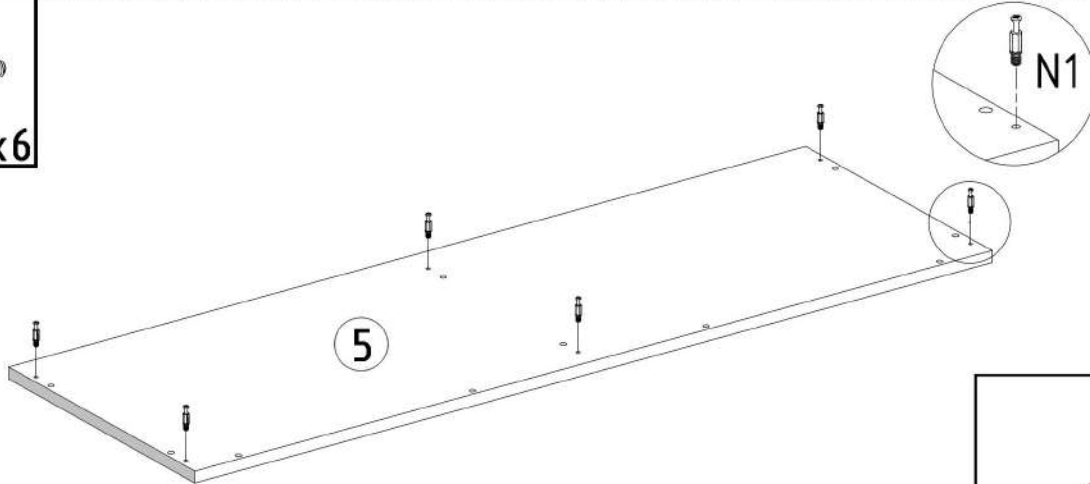
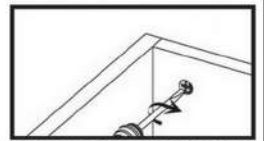
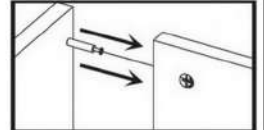
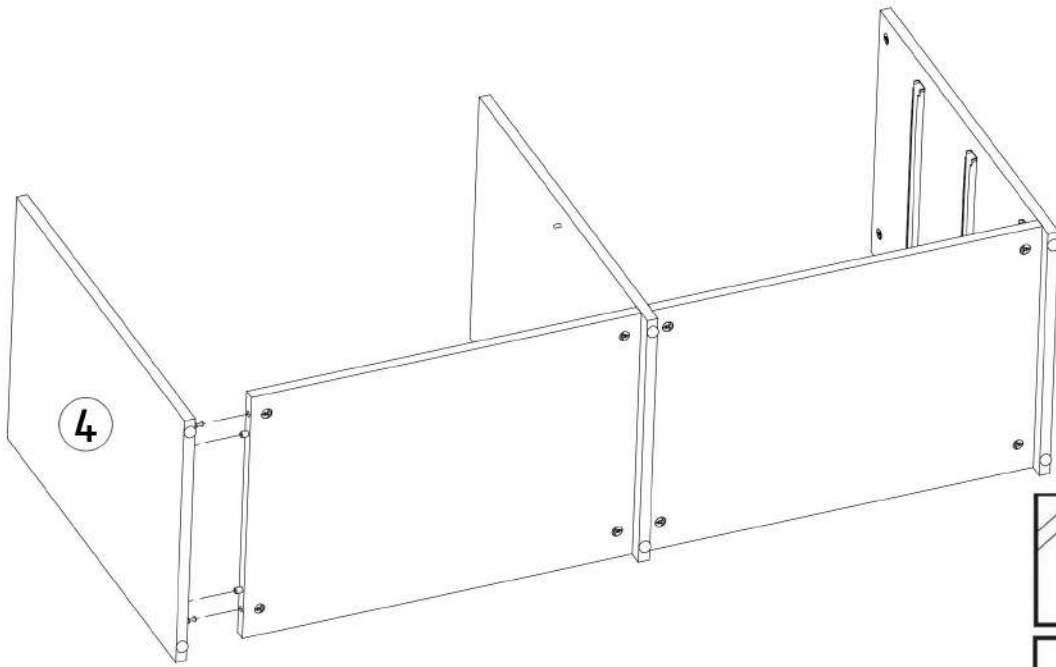
| | | | | |
|--------------------------------------------------------------------------------------------------------------|------------------------------------------------------------------------------------------------------|-------------------------------------------------------------------------------------------------------------|------------------------------------------------------------------------------------------------------------|--------------------------------------------------------------------------------------------------------------|
| M1  12x15mm x2 | T1  x2 | E1  8x30mm x2 | R1  6x8mm x6 | P3  L=350mm x3 |
|--------------------------------------------------------------------------------------------------------------|------------------------------------------------------------------------------------------------------|-------------------------------------------------------------------------------------------------------------|------------------------------------------------------------------------------------------------------------|--------------------------------------------------------------------------------------------------------------|

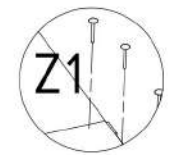
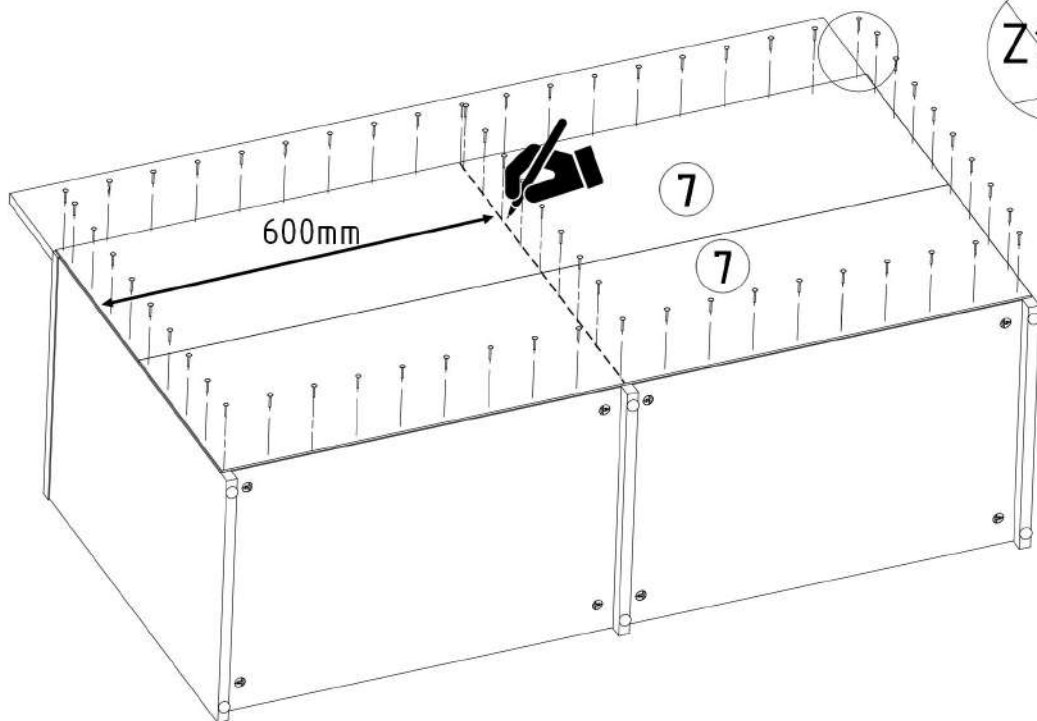
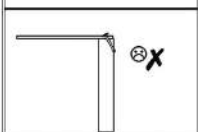
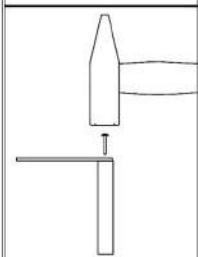
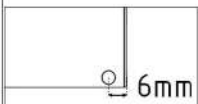
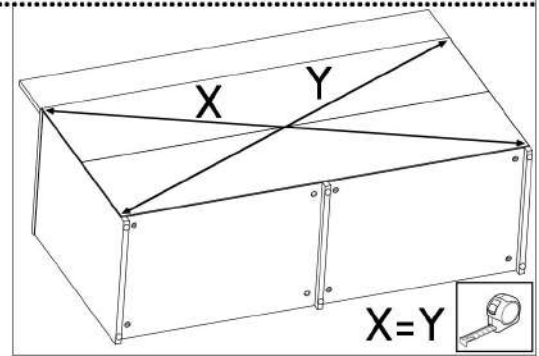
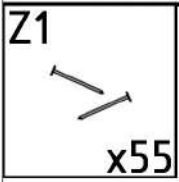
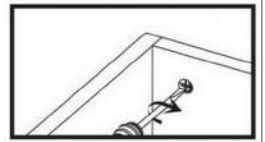
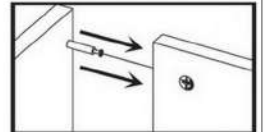
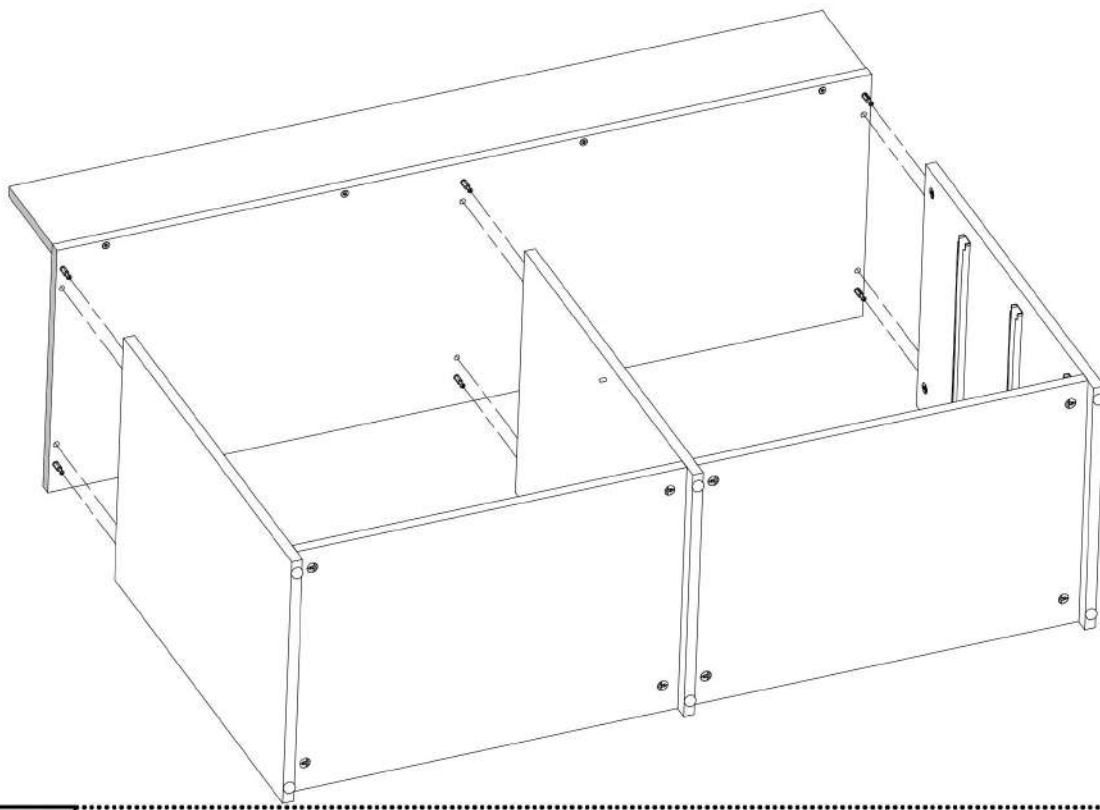


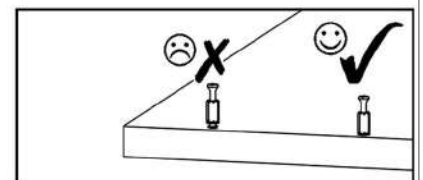
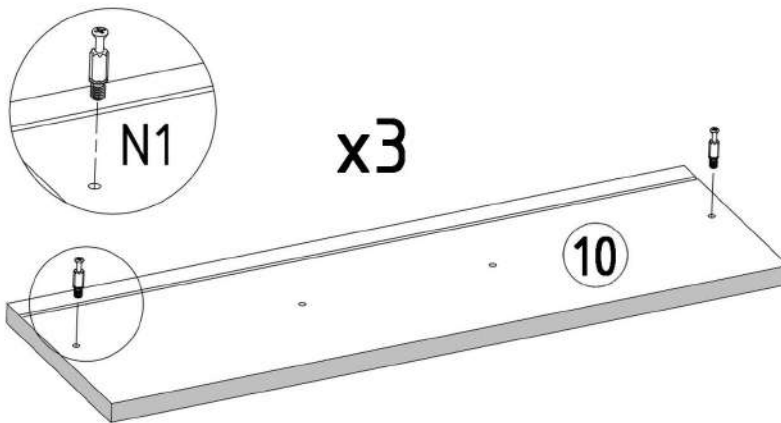
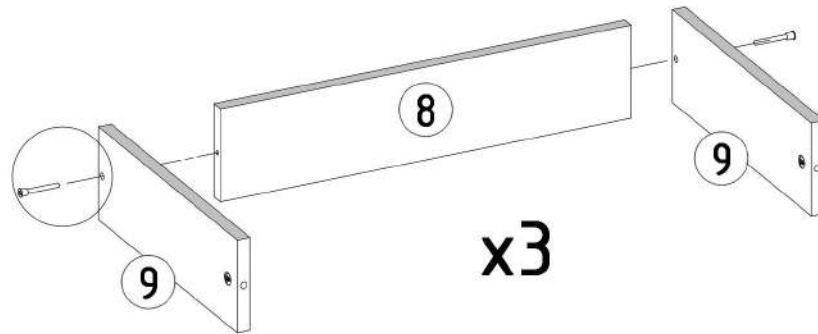
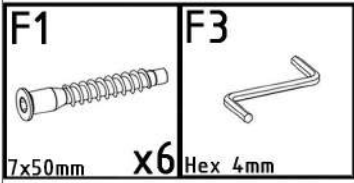
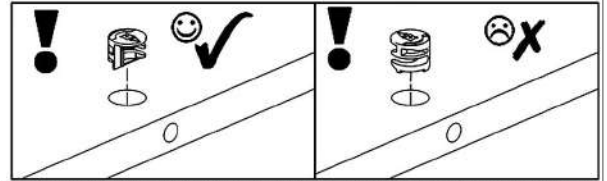
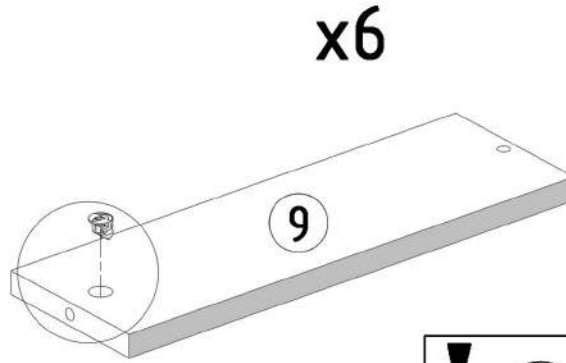
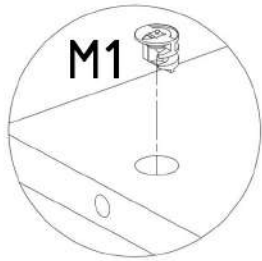
| |
|--------------------------------------------------------------------------------------------------------------|
| V16  5x16mm x2 |
|--------------------------------------------------------------------------------------------------------------|

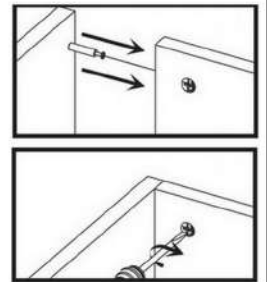
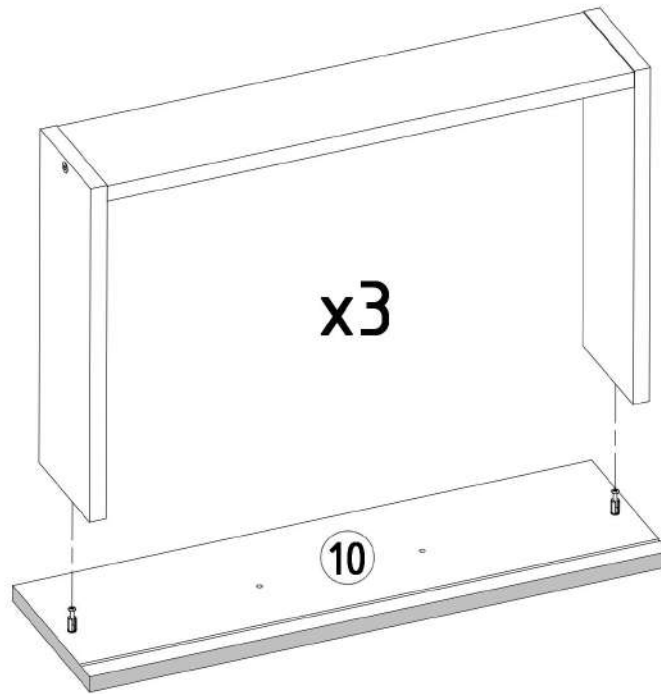








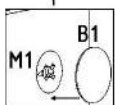
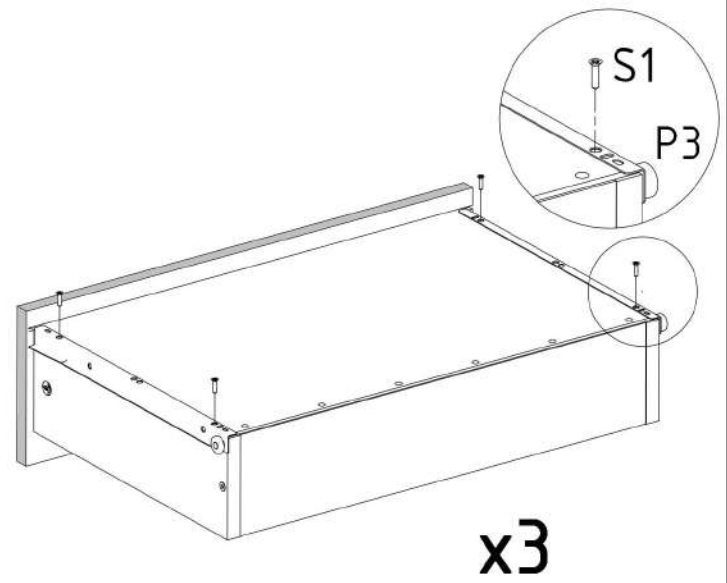
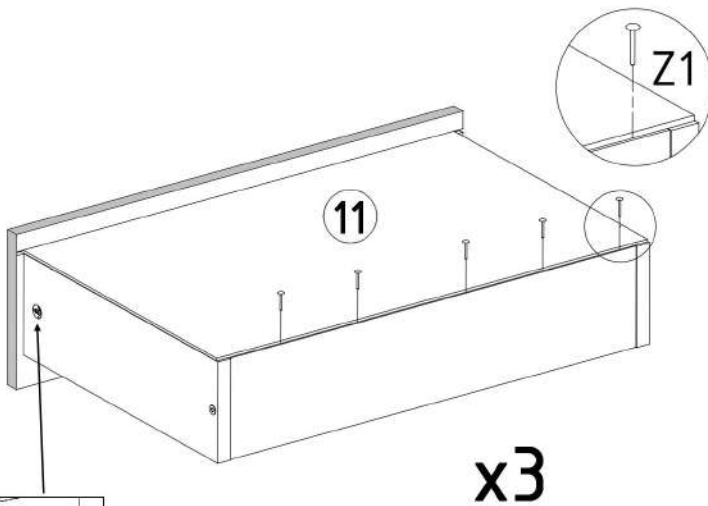
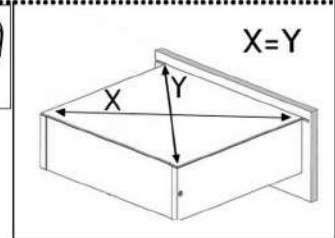
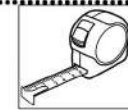


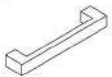



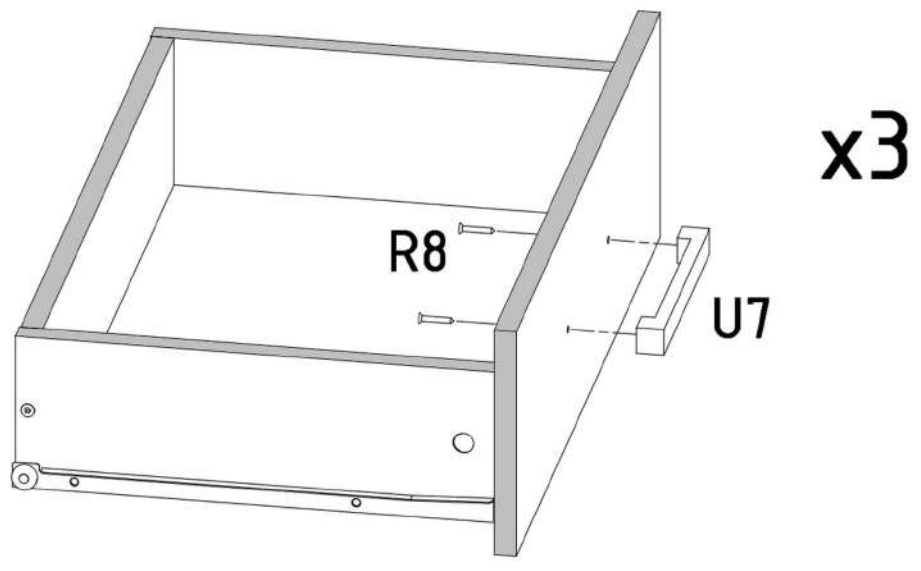





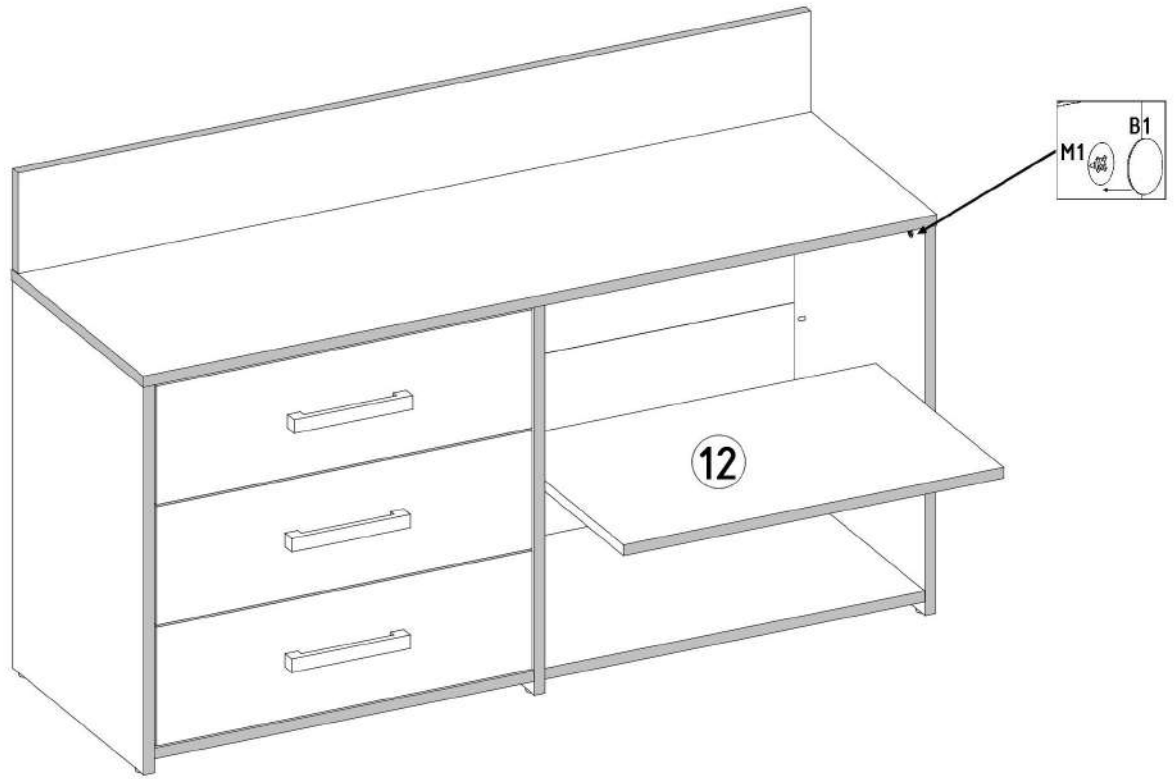
| | | | |
|------------------------------------------------------------------------------------------------------------------------------|---------------------------------------------------------------------------------------------------------------------------------|------------------------------------------------------------------------------------------------------------------------|-------------------------------------------------------------------------------------------------------------------------------|
| <p>P3</p>  <p>L=350mm x3</p> | <p>S1</p>  <p>3,5x16mm x12</p> | <p>Z1</p>  <p>x15</p> | <p>B1</p>  <p>ø17/4mm x6</p> |
|------------------------------------------------------------------------------------------------------------------------------|---------------------------------------------------------------------------------------------------------------------------------|------------------------------------------------------------------------------------------------------------------------|-------------------------------------------------------------------------------------------------------------------------------|



| | |
|-------------------------------------------------------------------------------------------------------------------|-------------------------------------------------------------------------------------------------------------------|
| U7  L=180mm x3 | R8  4x30mm x6 |
|-------------------------------------------------------------------------------------------------------------------|-------------------------------------------------------------------------------------------------------------------|



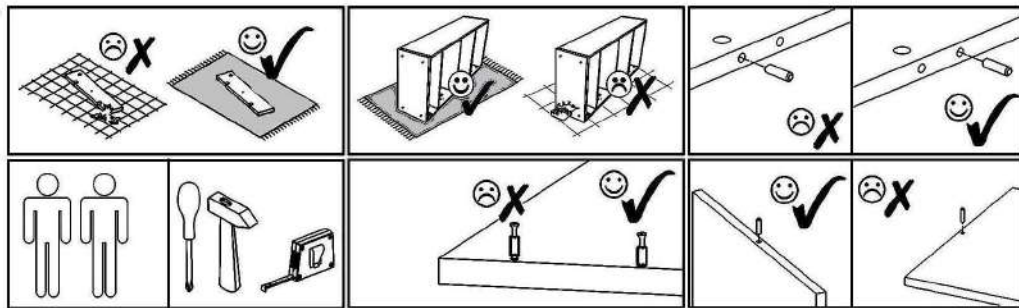
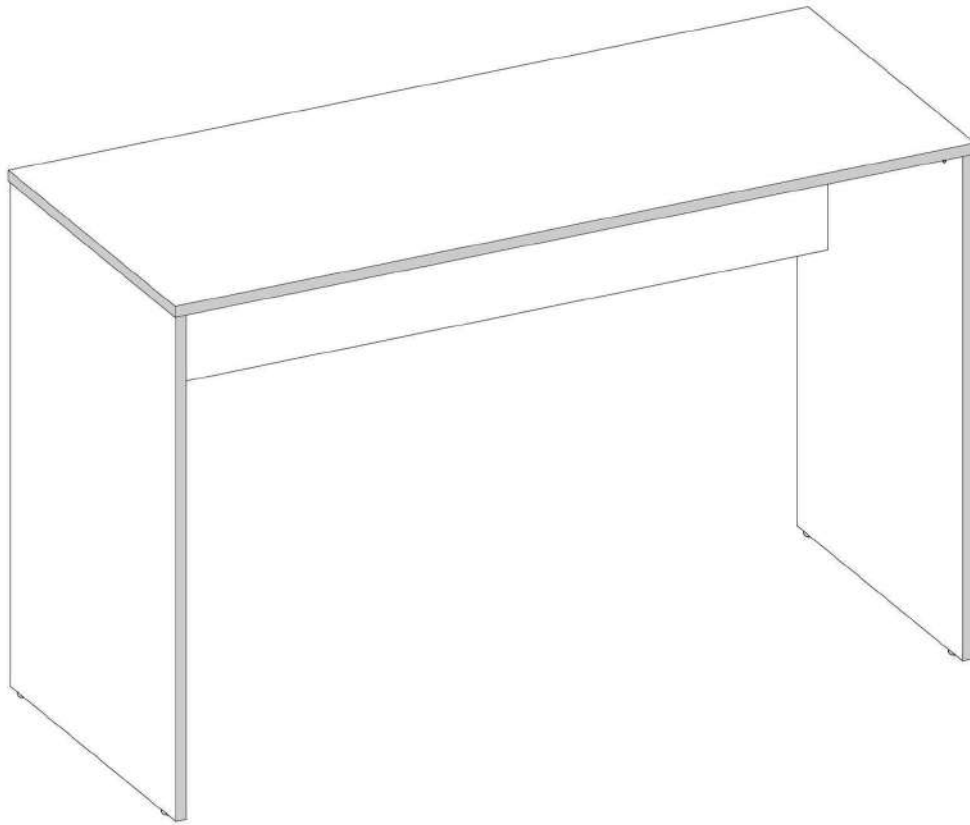
| |
|-----------------------------------------------------------------------------------------------------------------------|
| B1  ø17/4mm x2 |
|-----------------------------------------------------------------------------------------------------------------------|



BIURKO PLUS

PRODUCTION DATE

PACKING CODE



B1

G
ø17/4mm x8

N1

L=35mm x8

M1

12x15mm x8

T1

x4

B1

B
ø17/4mm x8

E1

8x30mm x6

B1

S-A
ø17/4mm x8

B1

Ant
ø17/4mm x8

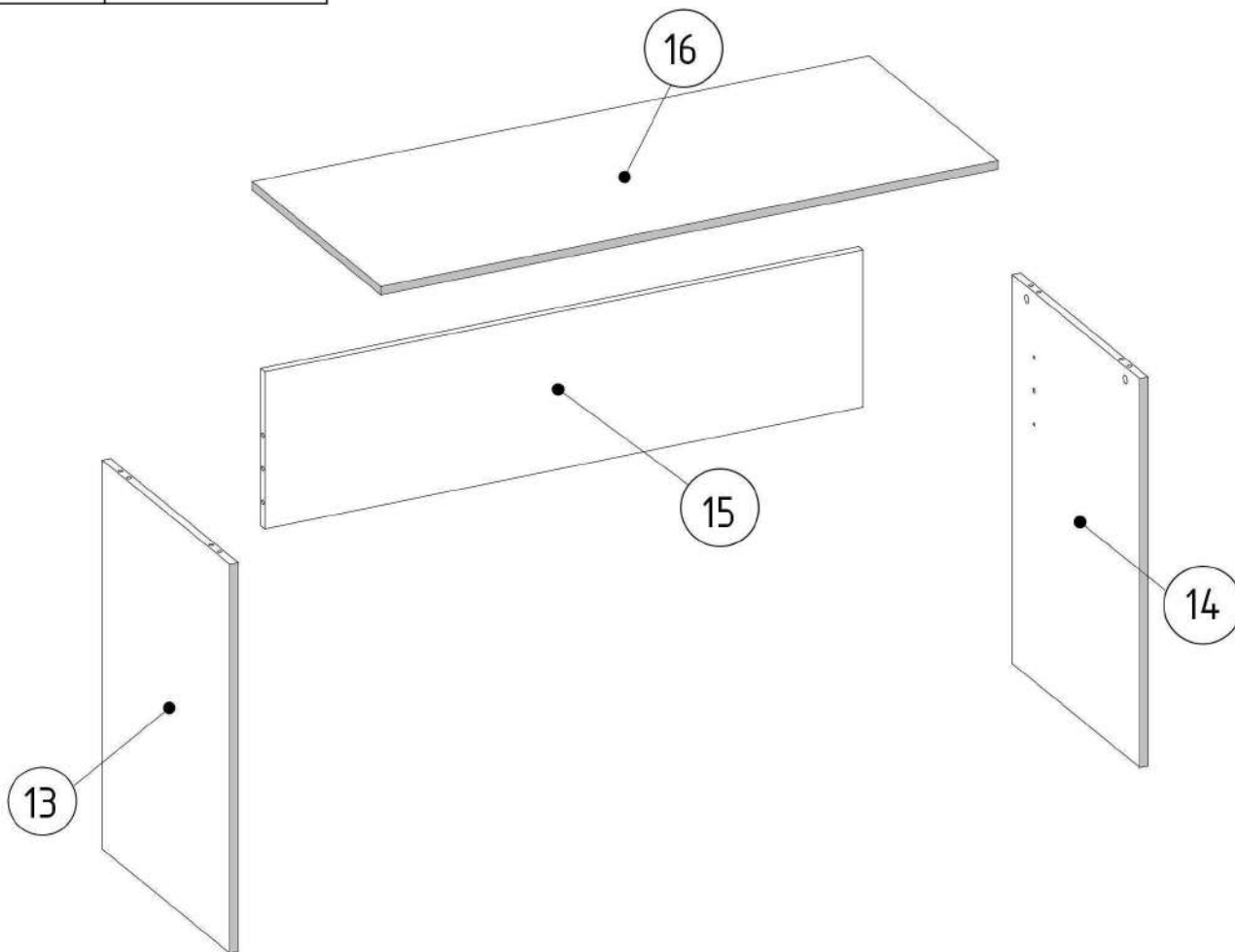
B1

K
ø17/4mm x8




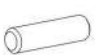
BIURKO PLUS

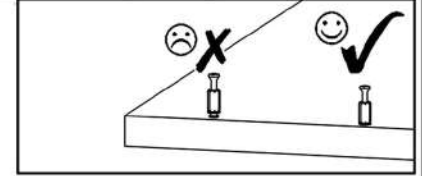
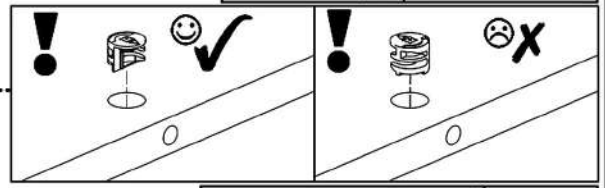
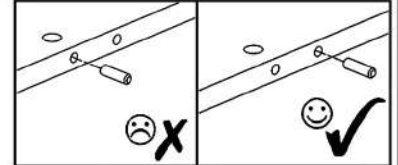
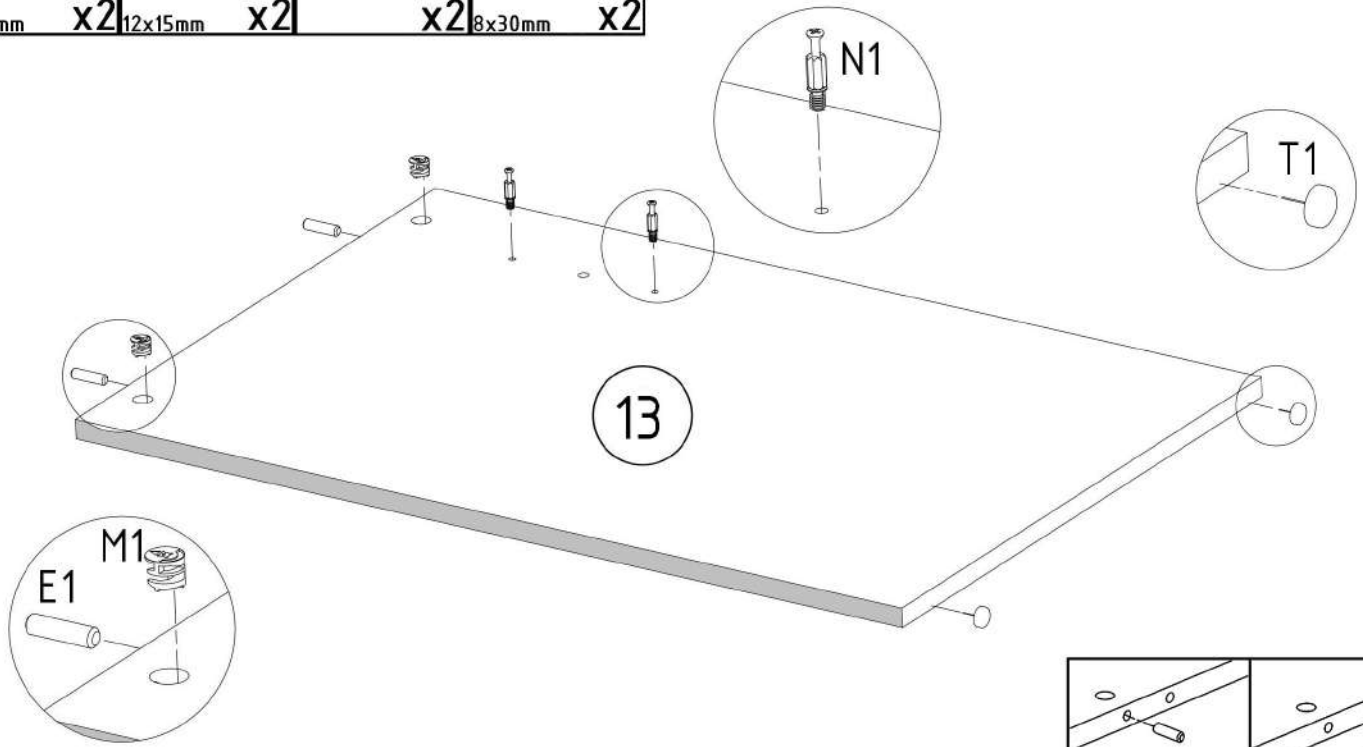
PRODUCTION DATE





PACKING CODE

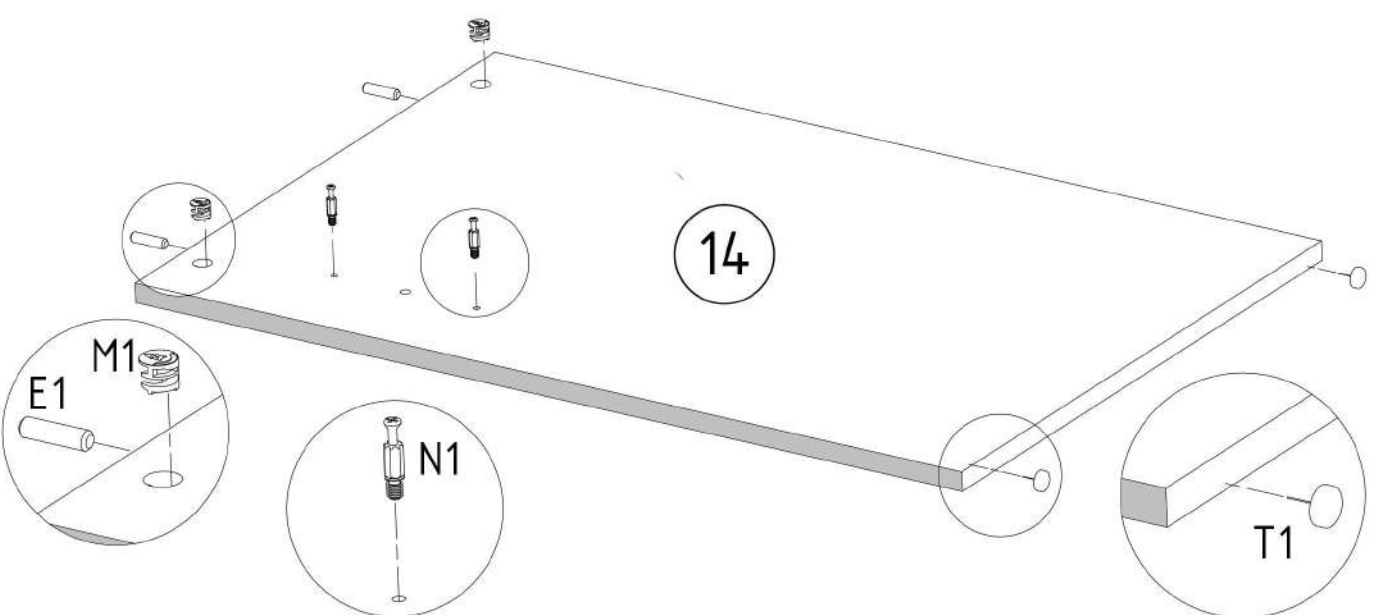


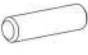

| | | |
|--------|--------|----------|
| 000246 | 16 | 1 |
| 000238 | 15 | 1 |
| 000179 | 14 | 1 |
| 000178 | 13 | 1 |
| ID | NUMBER | QUANTITY |

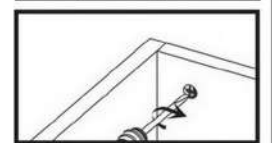
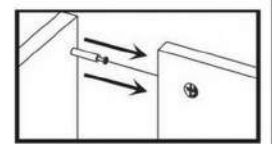
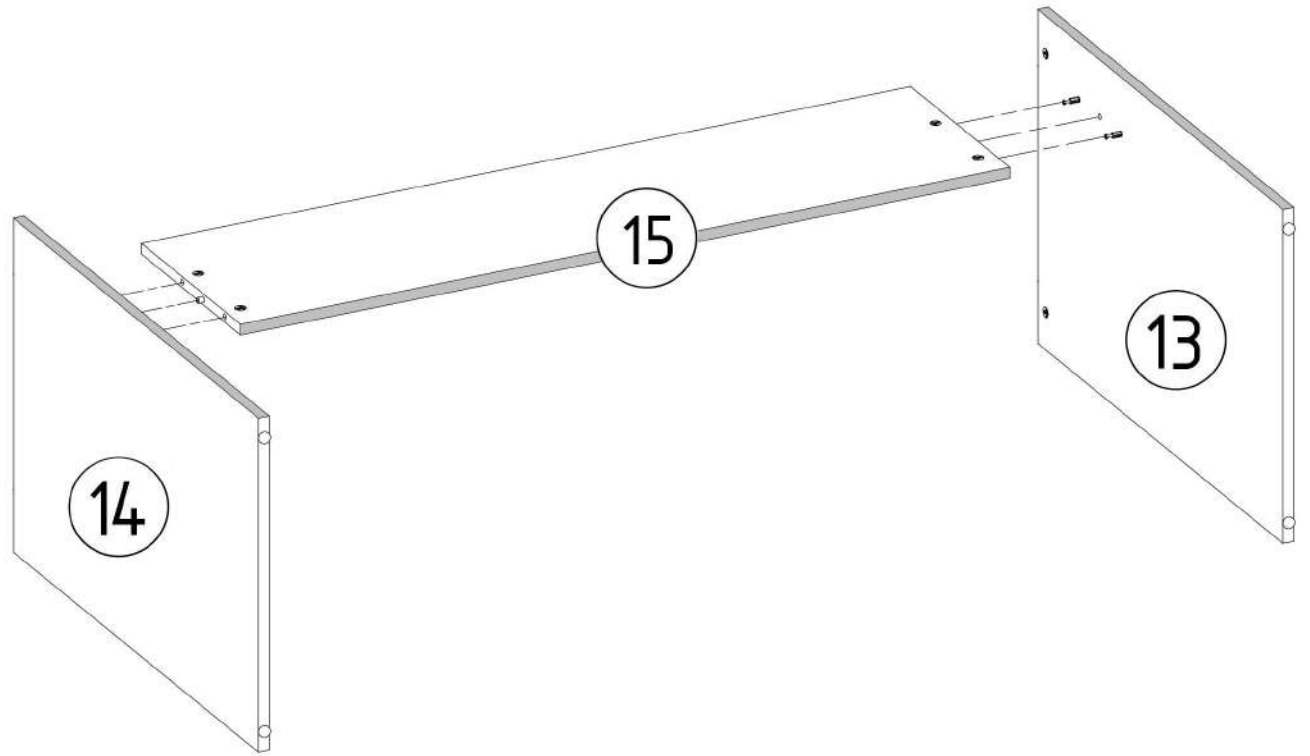
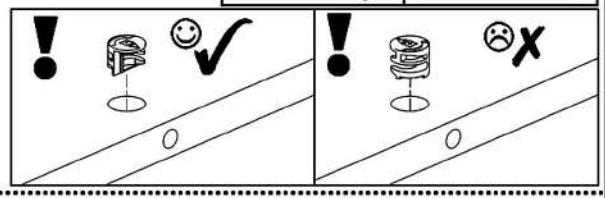
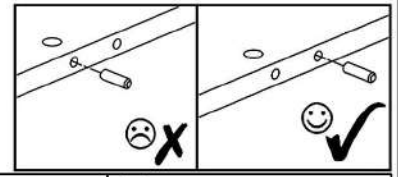
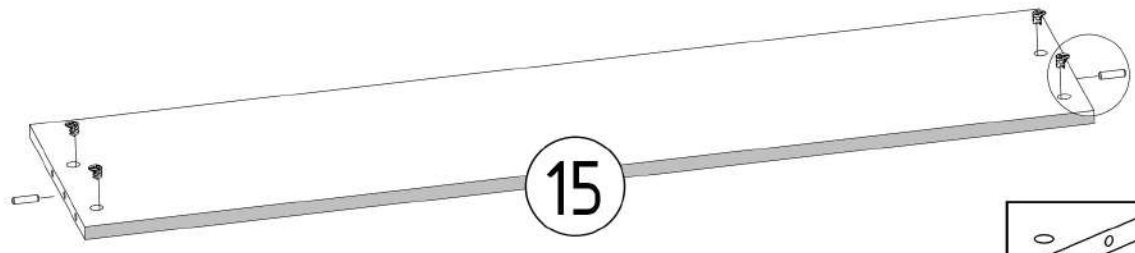
| | | | |
|-----------------------------------------------------------------------------------------------------------|-------------------------------------------------------------------------------------------------------------|-----------------------------------------------------------------------------------------------------|------------------------------------------------------------------------------------------------------------|
| N1  L=35mm x2 | M1  12x15mm x2 | T1  x2 | E1  8x30mm x2 |
|-----------------------------------------------------------------------------------------------------------|-------------------------------------------------------------------------------------------------------------|-----------------------------------------------------------------------------------------------------|------------------------------------------------------------------------------------------------------------|



| | | | |
|--------------------------------------------------------------------------------------------------------------|----------------------------------------------------------------------------------------------------------------|--------------------------------------------------------------------------------------------------------|---------------------------------------------------------------------------------------------------------------|
| N1  L=35mm x2 | M1  12x15mm x2 | T1  x2 | E1  8x30mm x2 |
|--------------------------------------------------------------------------------------------------------------|----------------------------------------------------------------------------------------------------------------|--------------------------------------------------------------------------------------------------------|---------------------------------------------------------------------------------------------------------------|



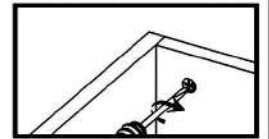
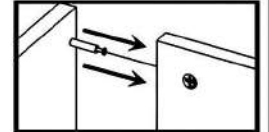
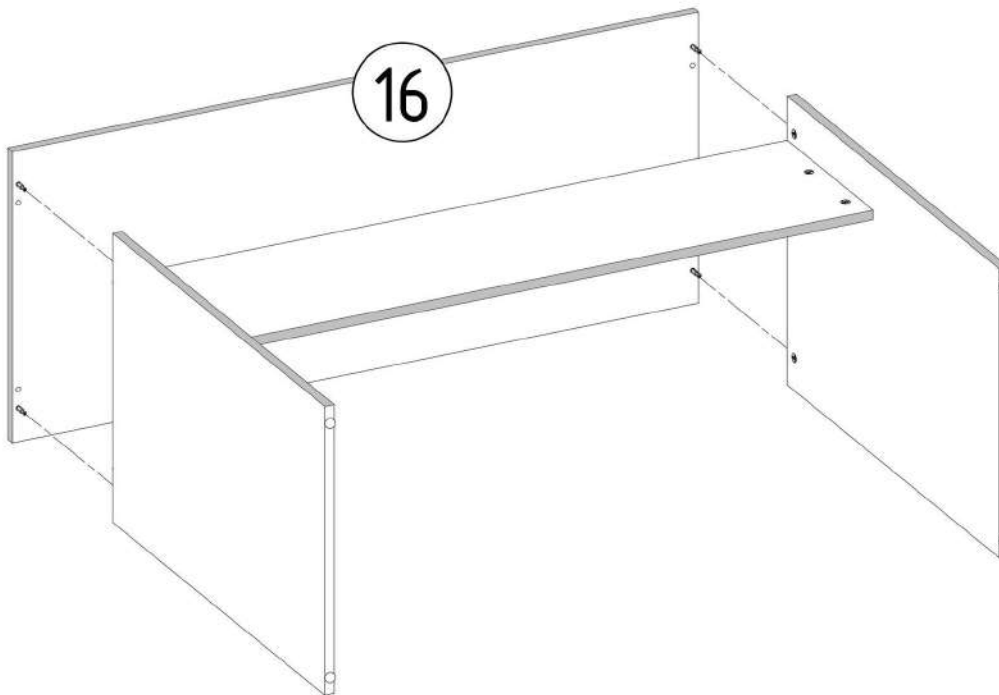
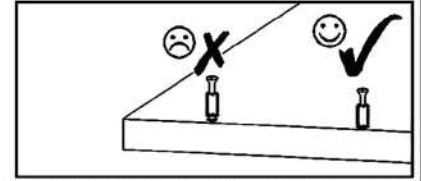
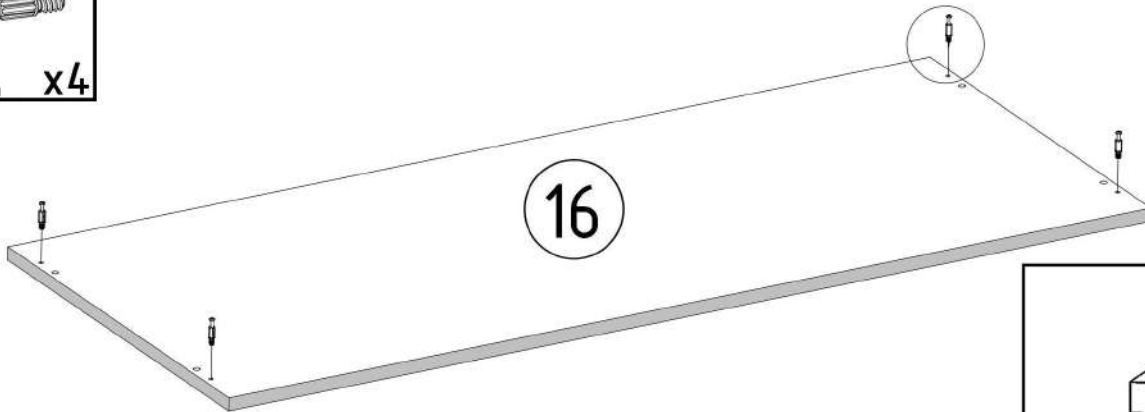
| | |
|-------------------------------------------------------------------------------------------------------------------|--------------------------------------------------------------------------------------------------------------------|
| E1  8x30mm x2 | M1  12x15mm x4 |
|-------------------------------------------------------------------------------------------------------------------|--------------------------------------------------------------------------------------------------------------------|



N1



L=35mm X4



B1



ø17/4mm X8

