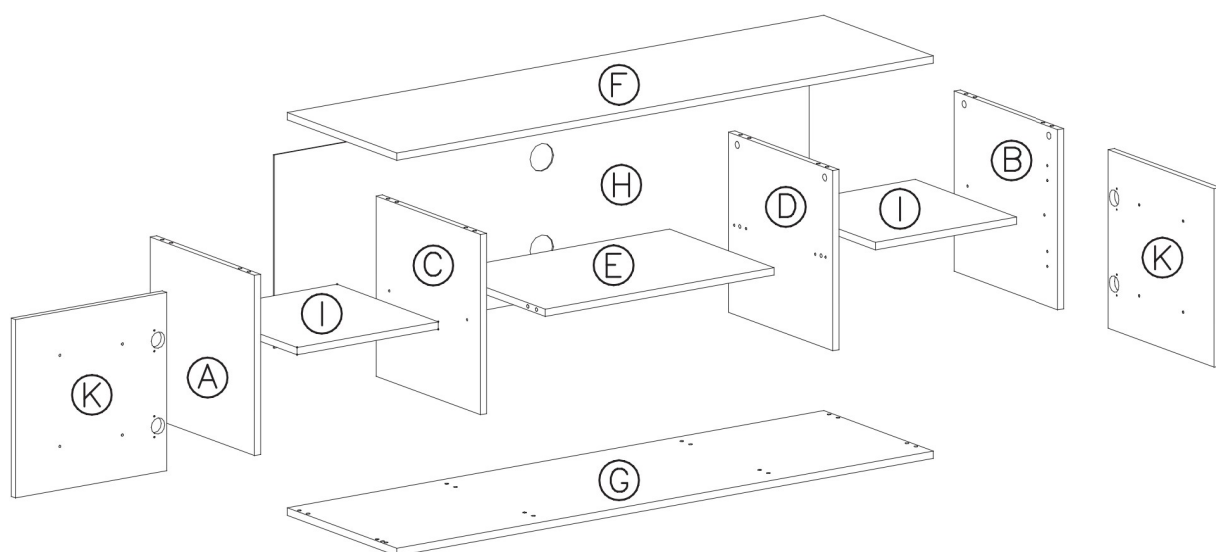
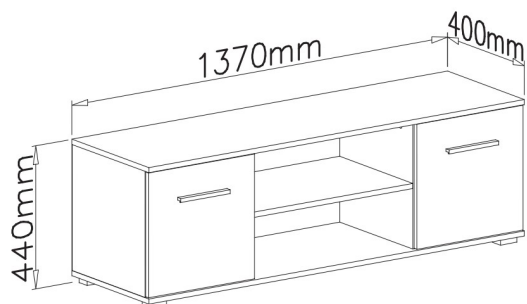
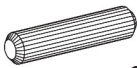
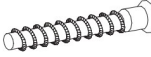
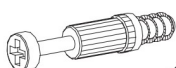


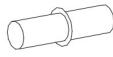
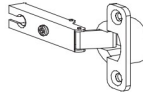
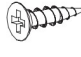
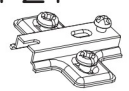
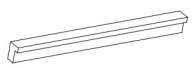

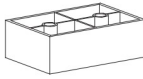
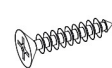

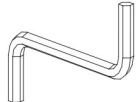


LIMA RTV-1

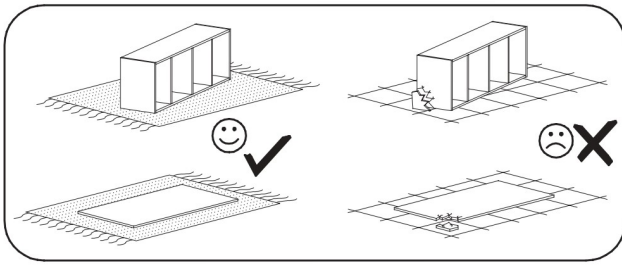


HALMAR Sp. z o.o., ul. Centralnego Okręgu Przemysłowego 2,
37-450 Stalowa Wola, POLSKA / POLAND
tel. +48 15 843 28 10, fax: +48 15 842 19 57, e-mail: office@halmar.com.pl

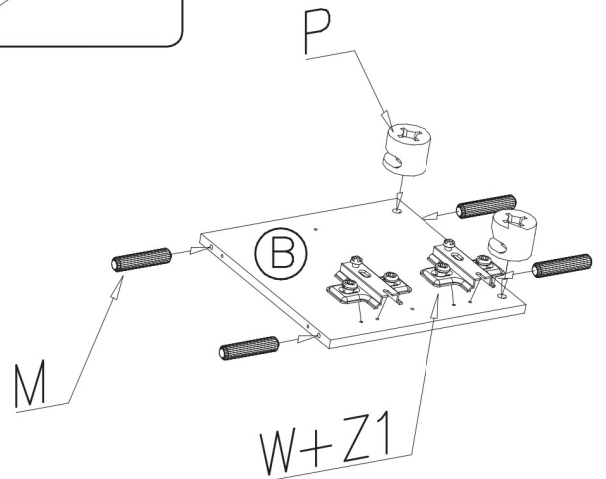
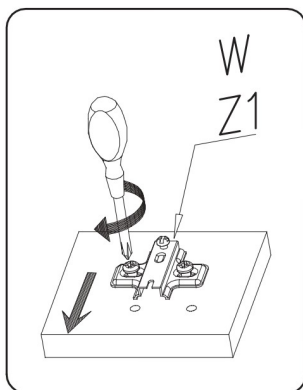
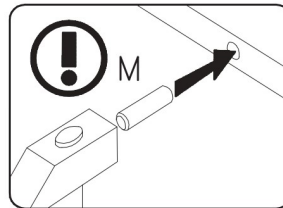
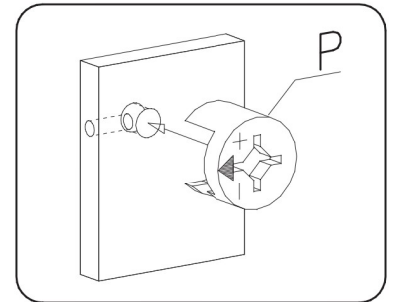
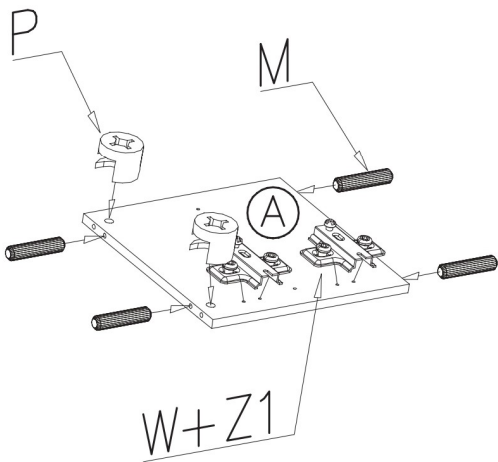
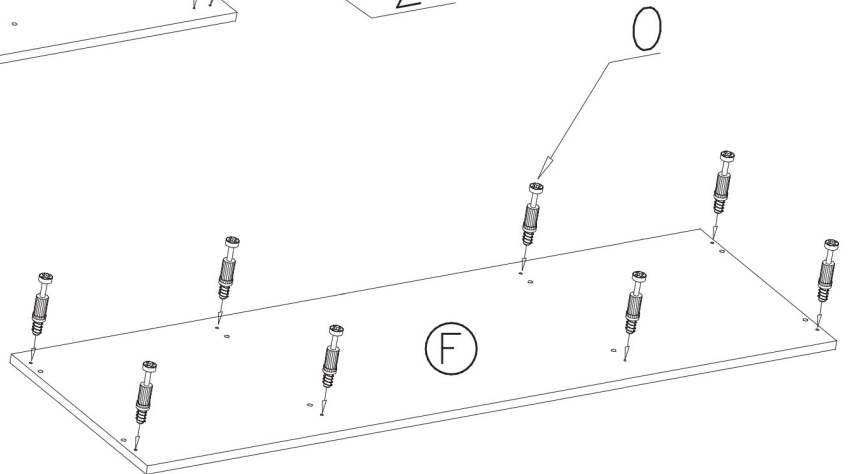
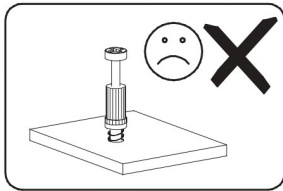
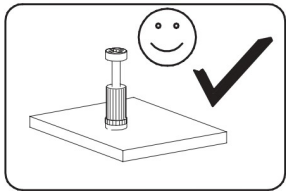
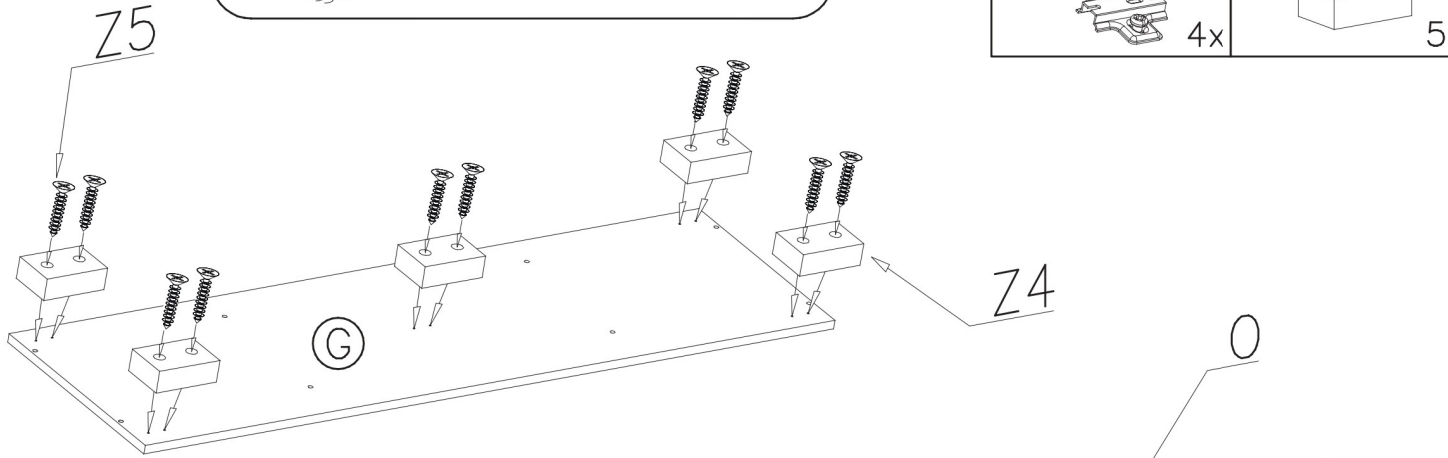


	M  ø8x30 20x	N  ø6,3x50 8x	O  12x	P  ø15x12 12x
R  ø2x20 60x	S  8x	T  4x	U  3,5x16 8x	W+Z1  4x
Z2  190mm 2x	Z3  4x30 4x	Z4  5x	Z5  4x20 10x	Z6  ø16 12x
Z8  1x				

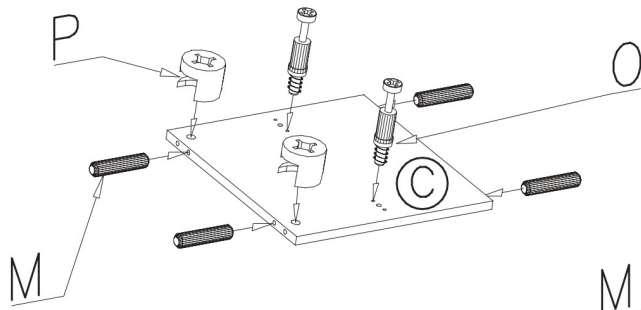
1



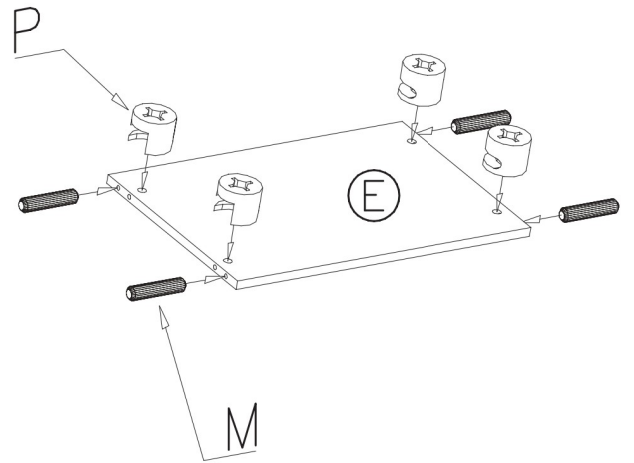
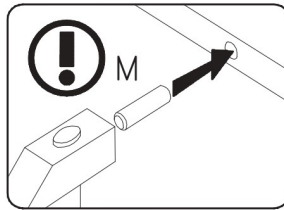
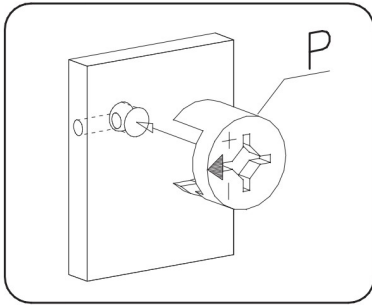
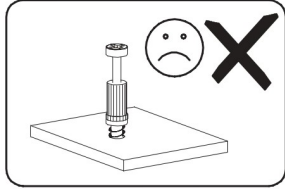
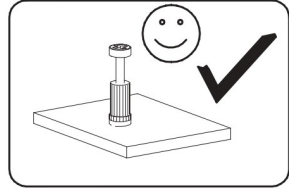
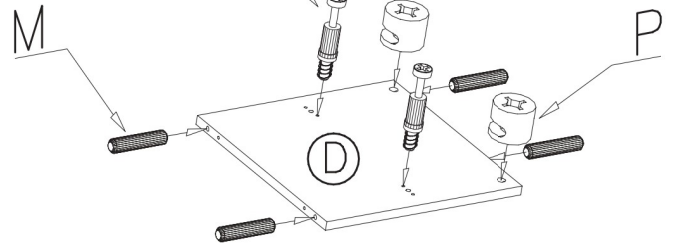
P ø15x12 4x	M ø8x30 8x
O 8x	Z5 4x20 10x
W+Z1 4x	Z4 5x



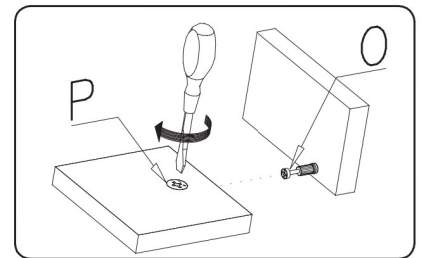
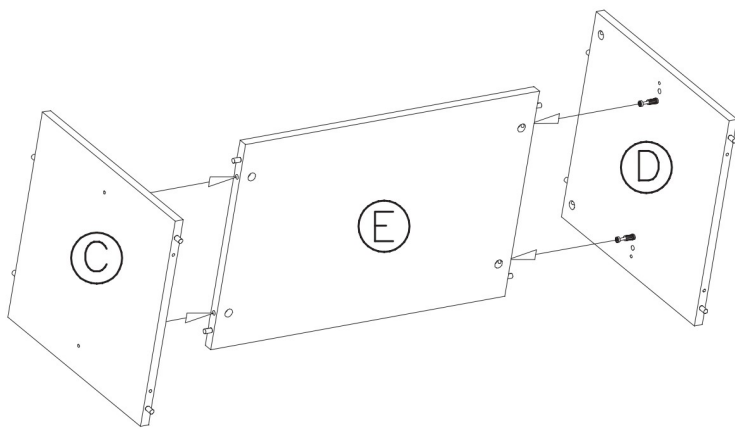
2



P		M	
ø15x12	8x	ø8x30	12x
		O	
			4x



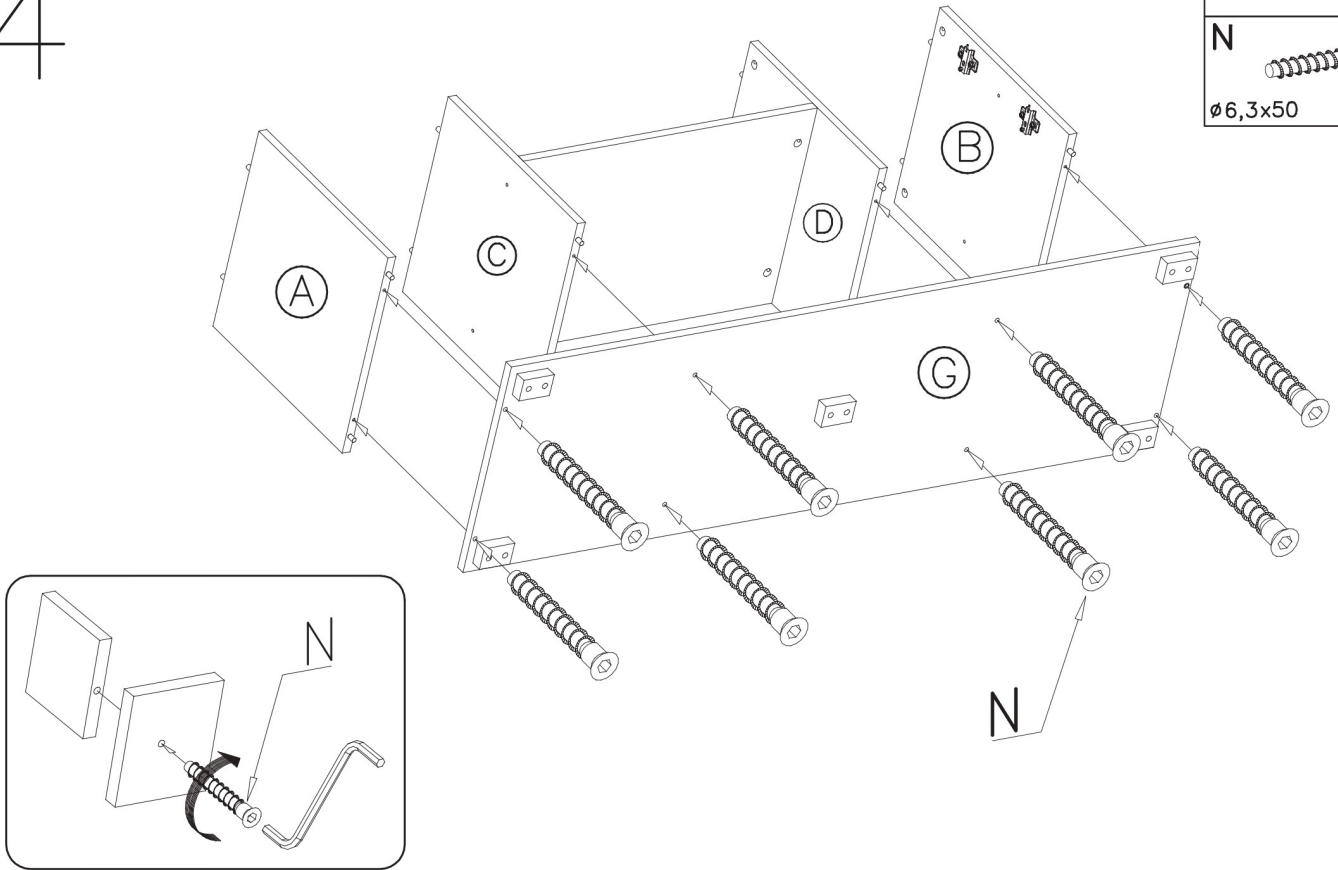
3



4

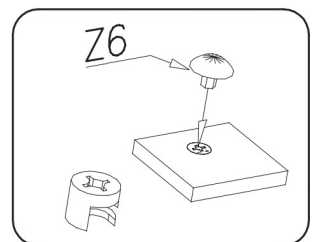
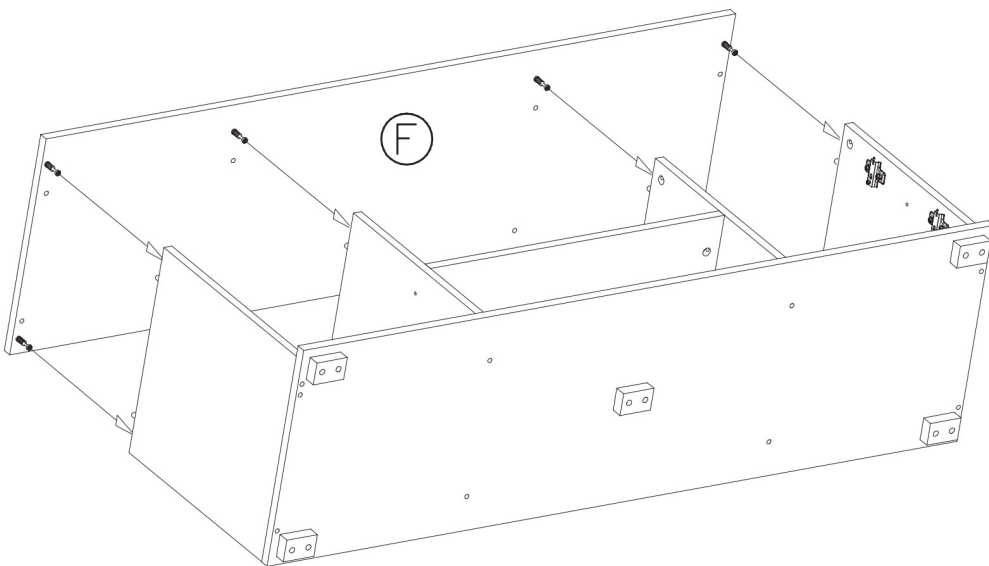
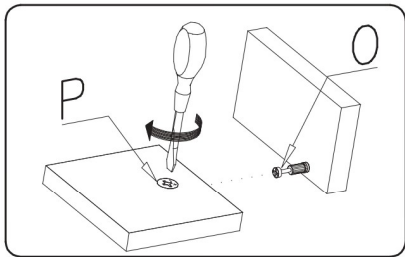
Z8 1x

N 8x
ø6,3x50

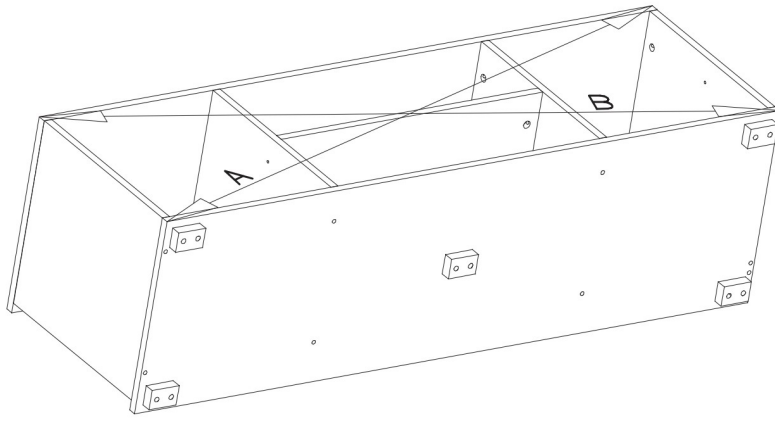


5

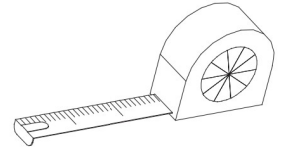
Z6 12x
ø16



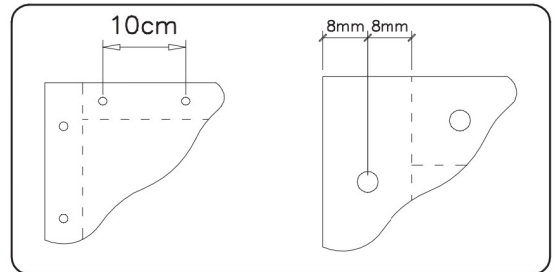
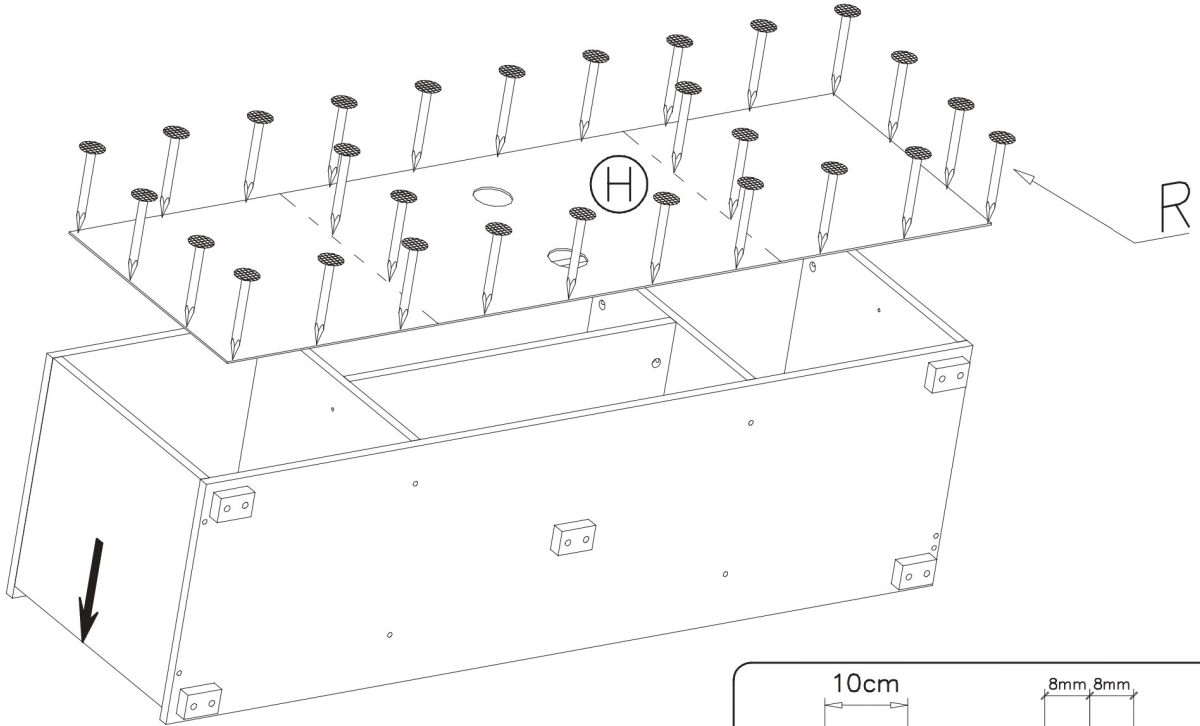
6



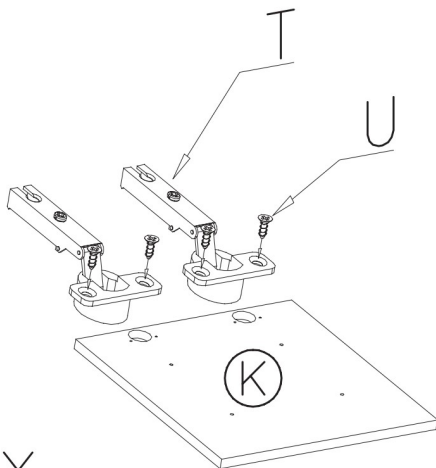
R
 ø2 x20 60x



A = B

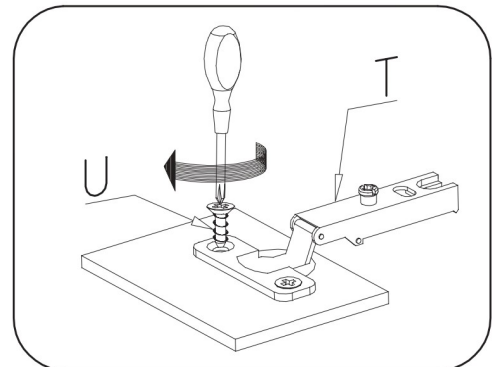


7

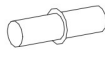
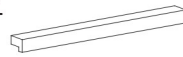



2x

U 3,5x16 8x T 4x



8

S		Z2		Z3	
8x	190mm	2x	4x30	4x	

