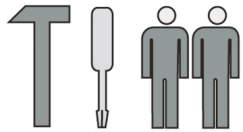


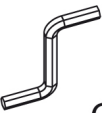


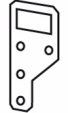

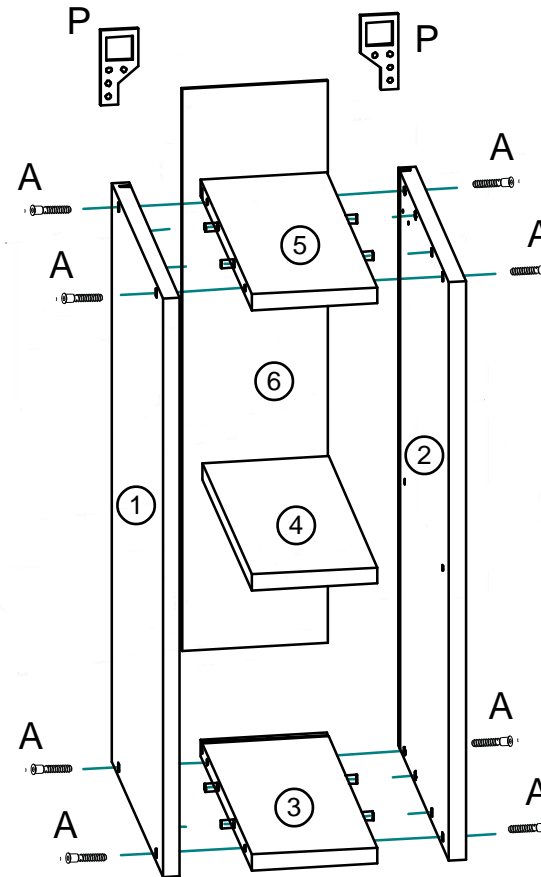
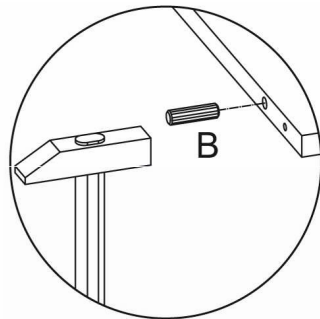
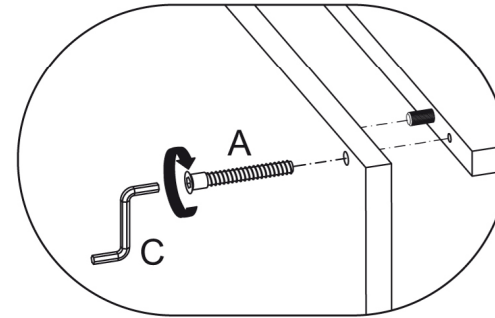
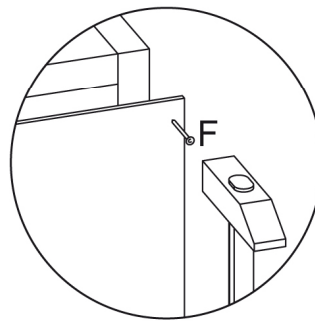
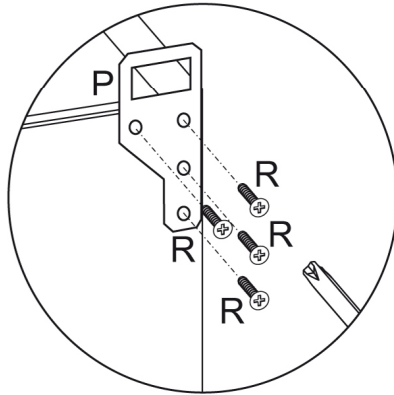




G-15



						$\phi 4.0 \times 30 \text{mm}$ 
A	B	C	F	G	P	R
8	8	1	~20	4	2	8



No packer:

Dear Customer.

We regret to inform you, that in time complaint please give No packer and No missing and spoil element.