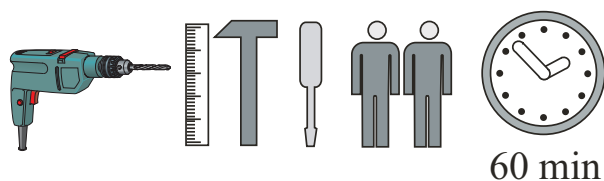
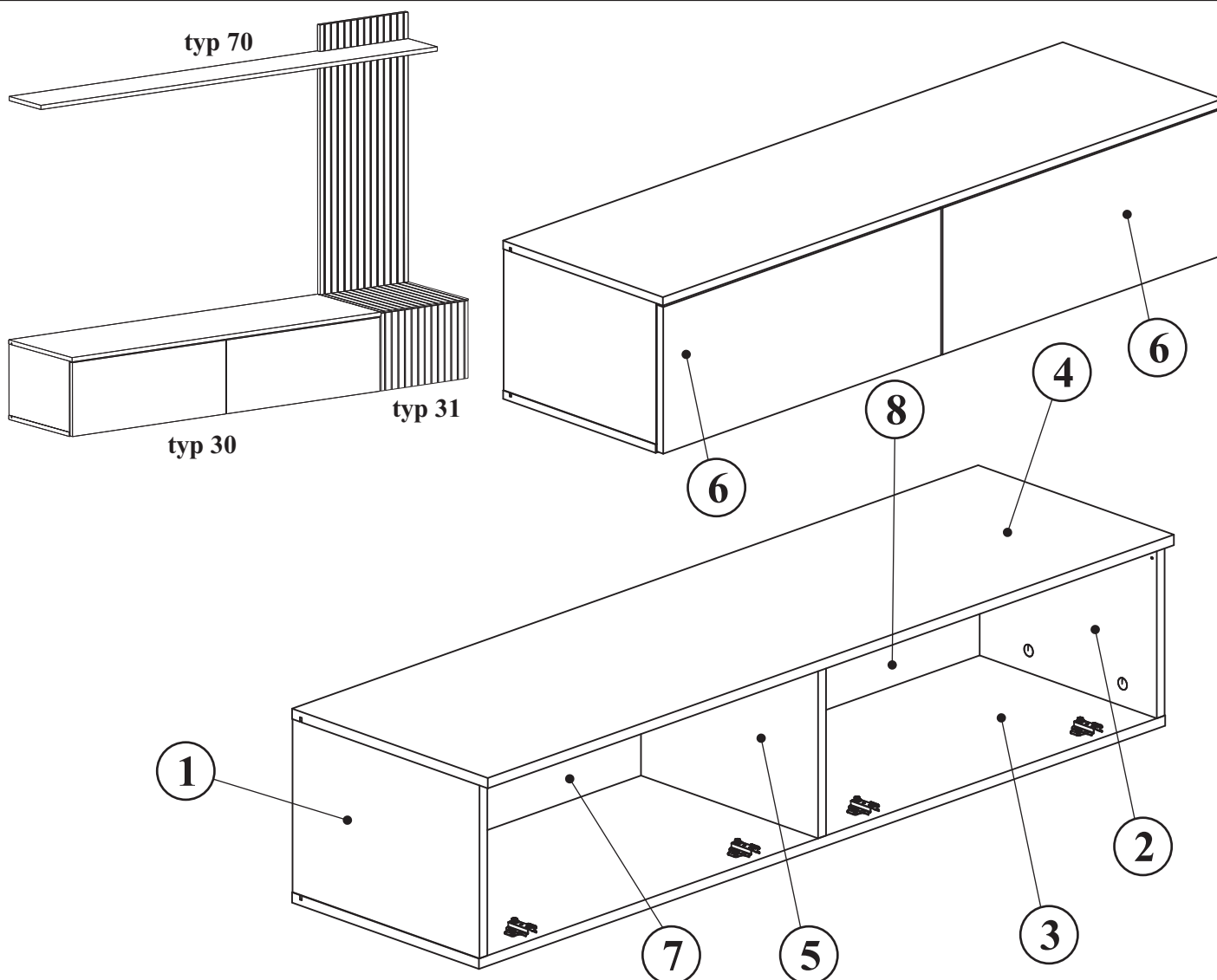
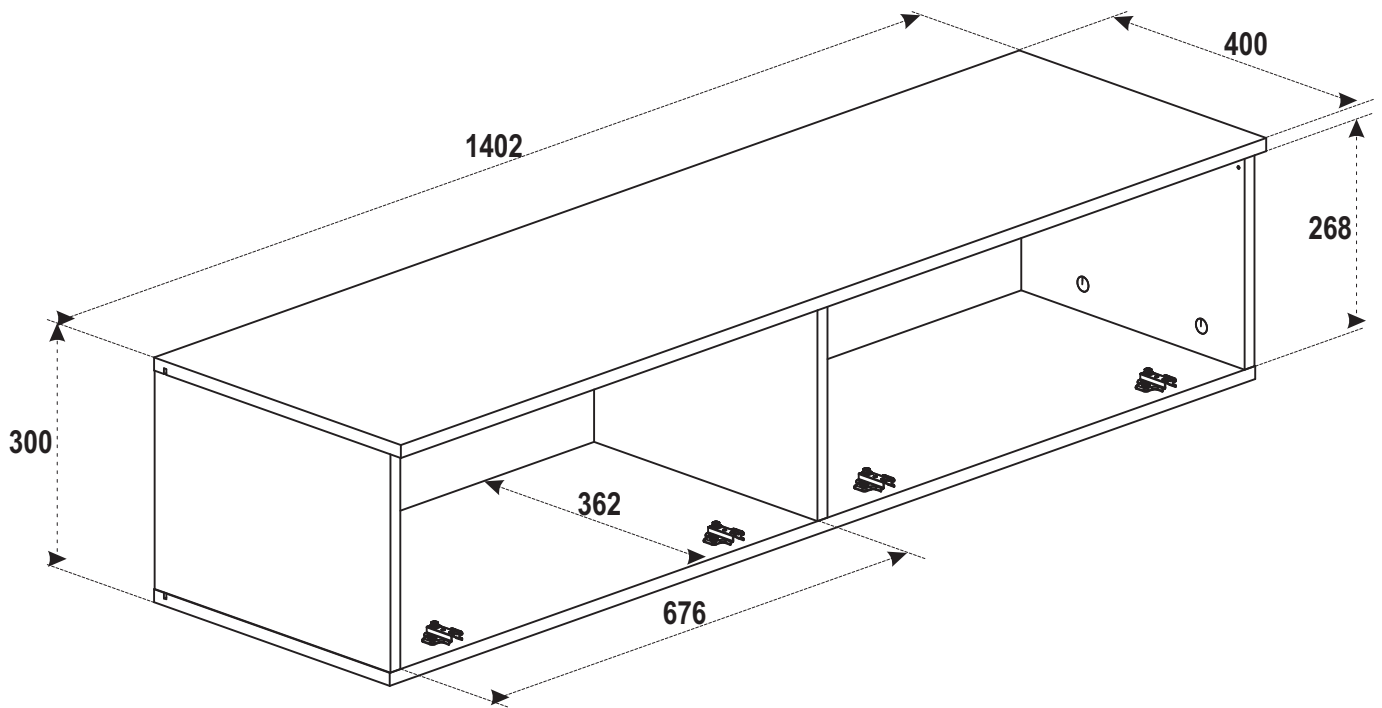


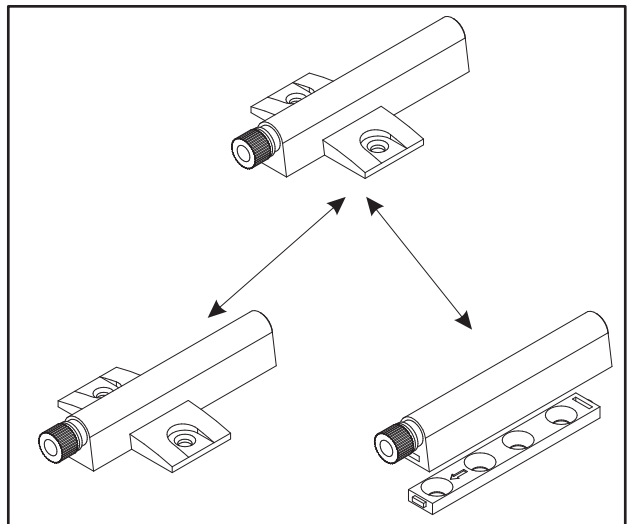
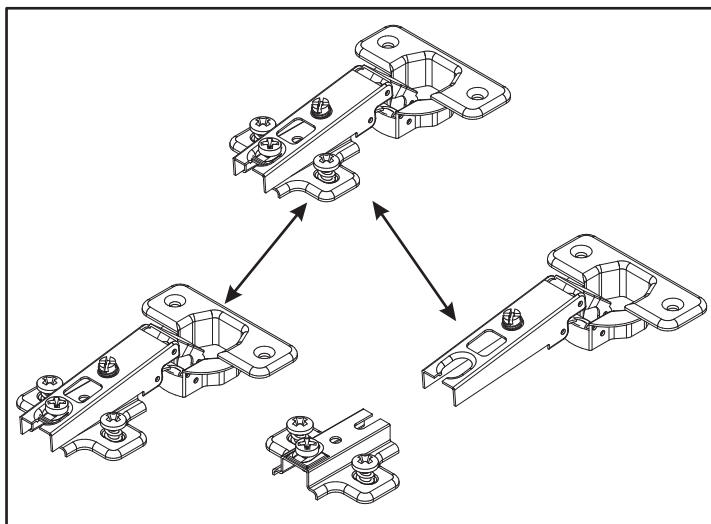
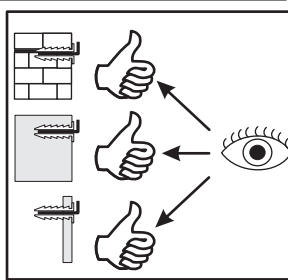
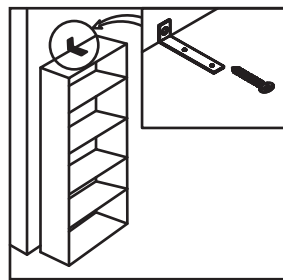
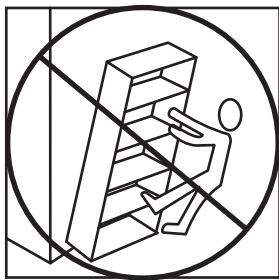
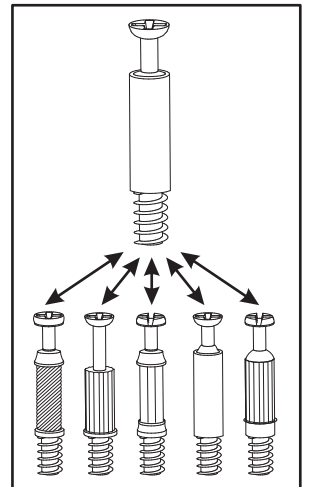
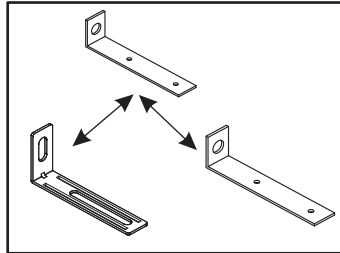
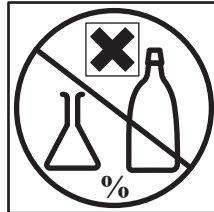
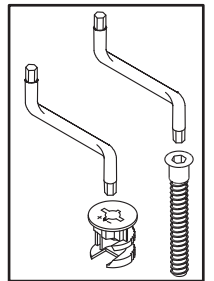
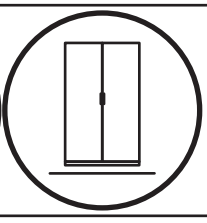
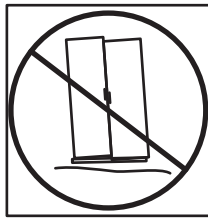
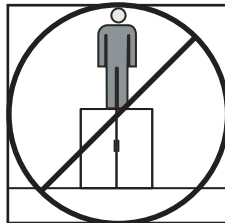
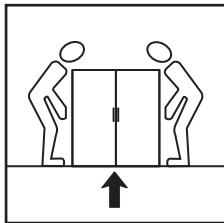
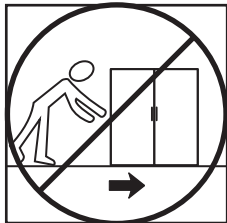
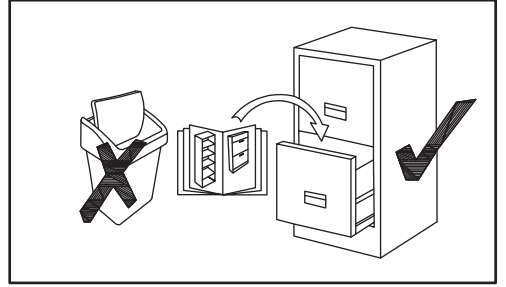
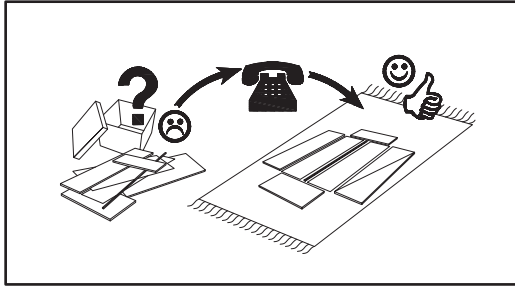
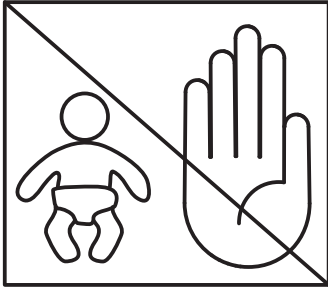
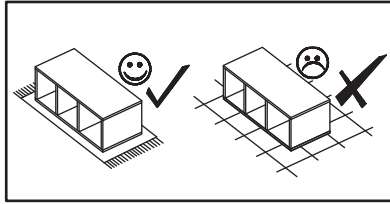
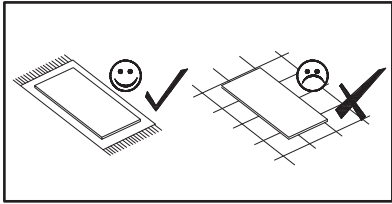
# SOLO \_\_\_ SL - TYP 30



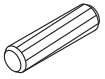
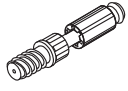
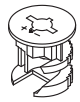

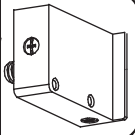
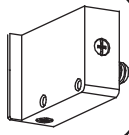


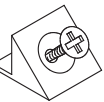

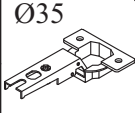
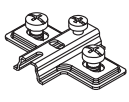
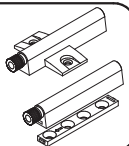
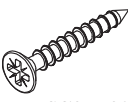

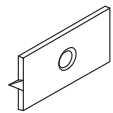

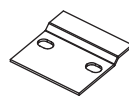
NO	Dim.			Col-No	Qty
1	268	382	16	1/2	1
2	268	382	16	1/2	1
3	1402	382	16	1/2	1
4	1402	400	16	1/2	1
5	268	362	16	1/2	1
6	696	278	16	1/2	2
7	689	280	3	1/2	1
8	689	280	3	1/2	1

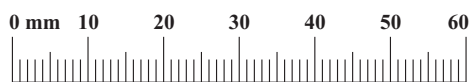
# SOLO \_\_\_ SL - TYP 30





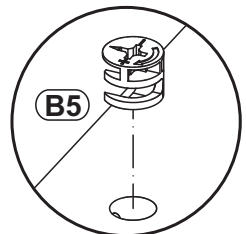
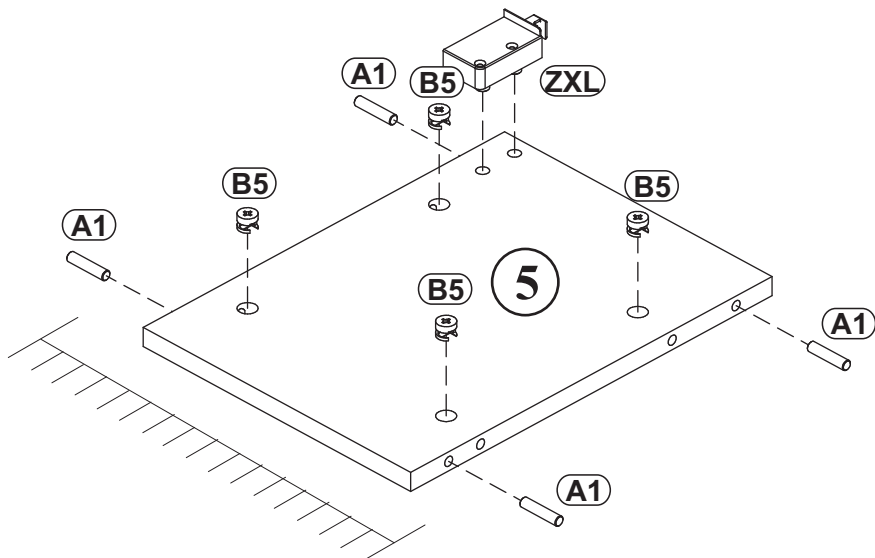
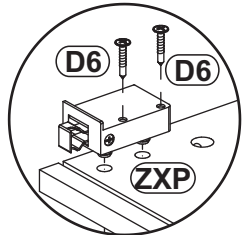
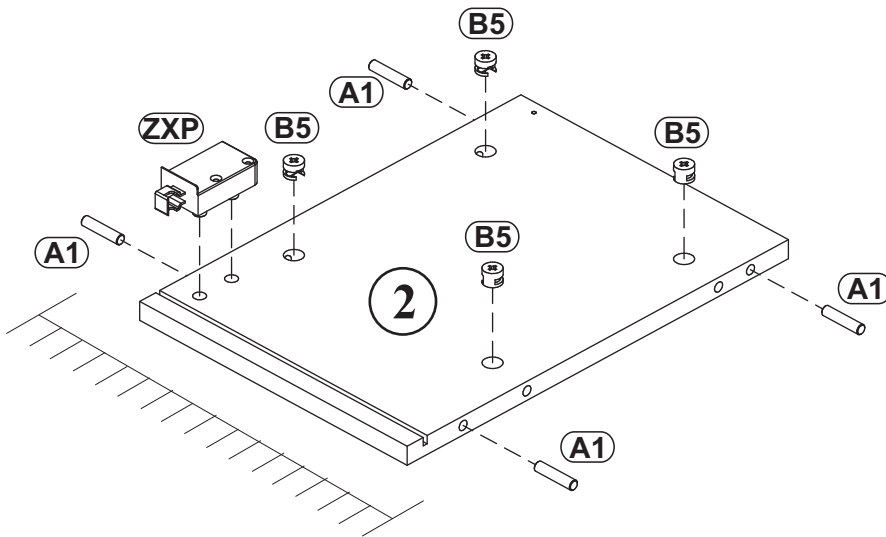
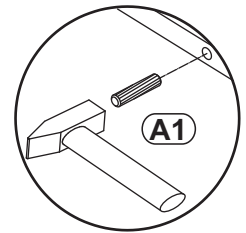
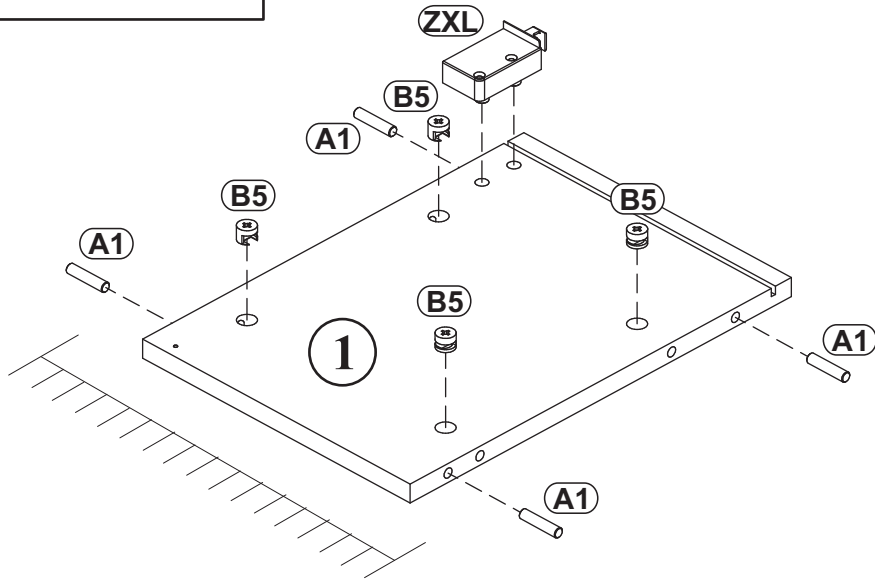
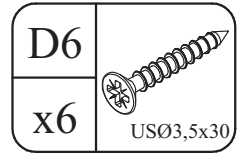
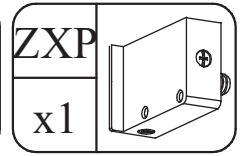
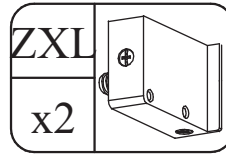
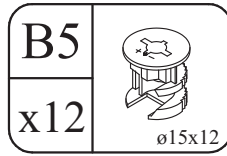
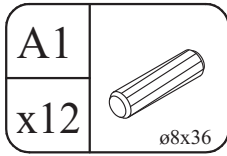
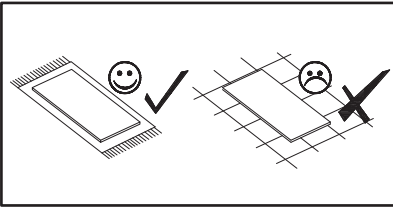
**SOLO \_\_\_ SL - TYP 30**

A1 x12  ø8x36	B4 x12 	B5 x12  ø15x12	G5 x12 	ZXL x2 	ZXP x1 
D10 x22  USØ3,5x13	G2 x1 	S1 x10 	BP1 x2 	E21 x4  Ø35 H=0	E2 x4  H=0
T3/T5 x2 	D6 x6  USØ3,5x30	UP9 x2  UPØ3,5x16	G16 x2 	KR1 x6 	SZ7 x3 



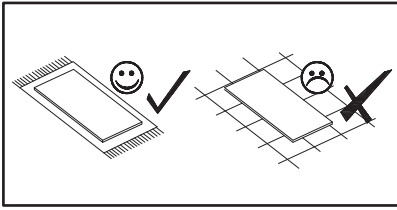
SOLO \_\_\_ SL - TYP 30

1

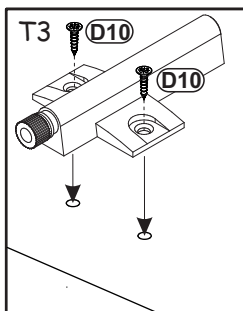
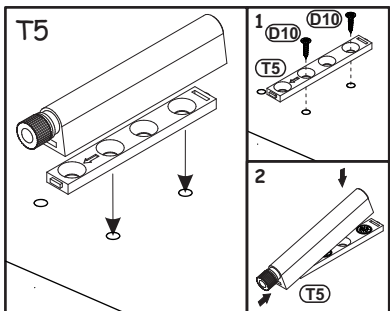
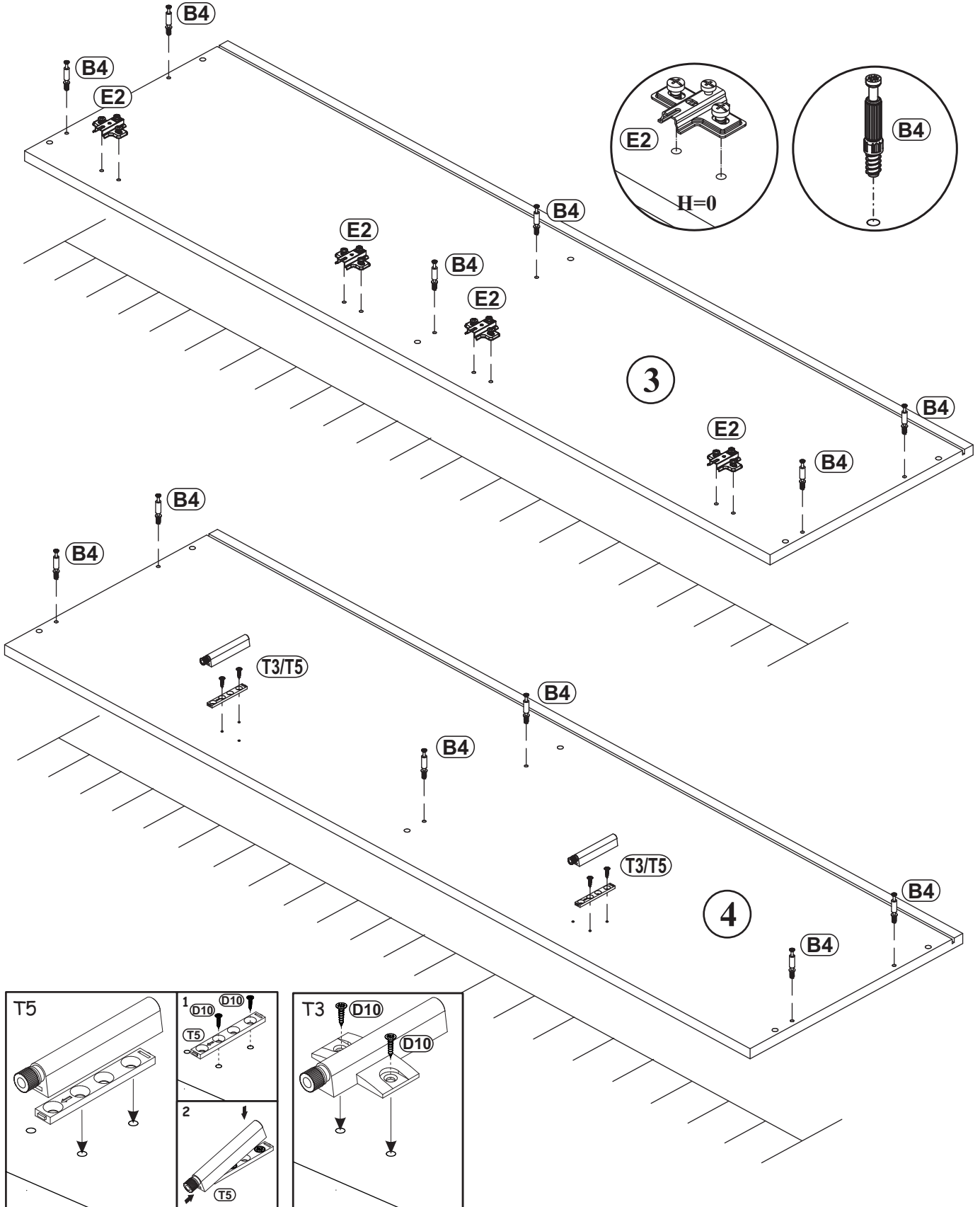


SOLO \_\_\_ SL - TYP 30

2




E2		D10		T3/T5		B4	
x4	H=0	x4	USØ3,5x13	x2		x12	



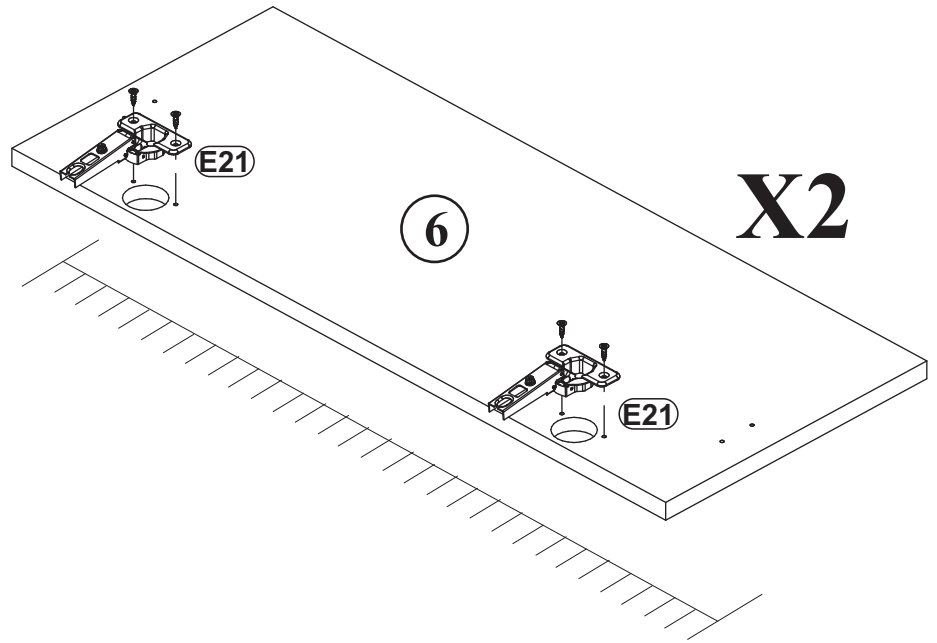
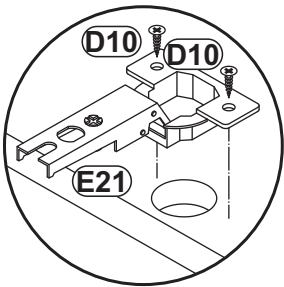
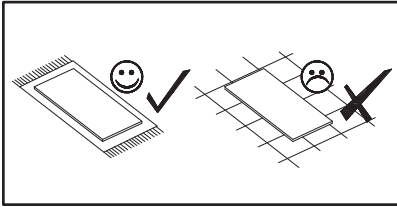
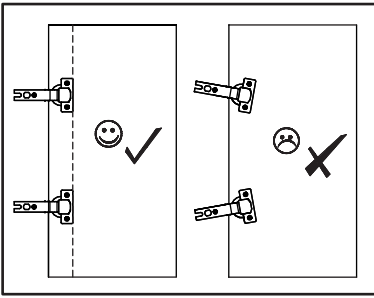
SOLO \_\_\_ SL - TYP 30

E21	Ø35
x4	H=0

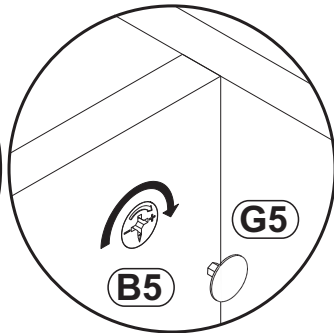
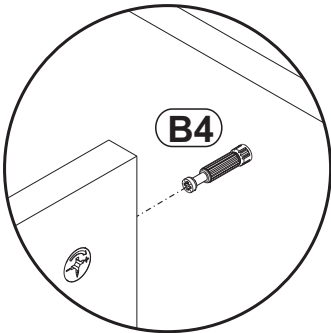
D10	
X8	


USØ3,5x13

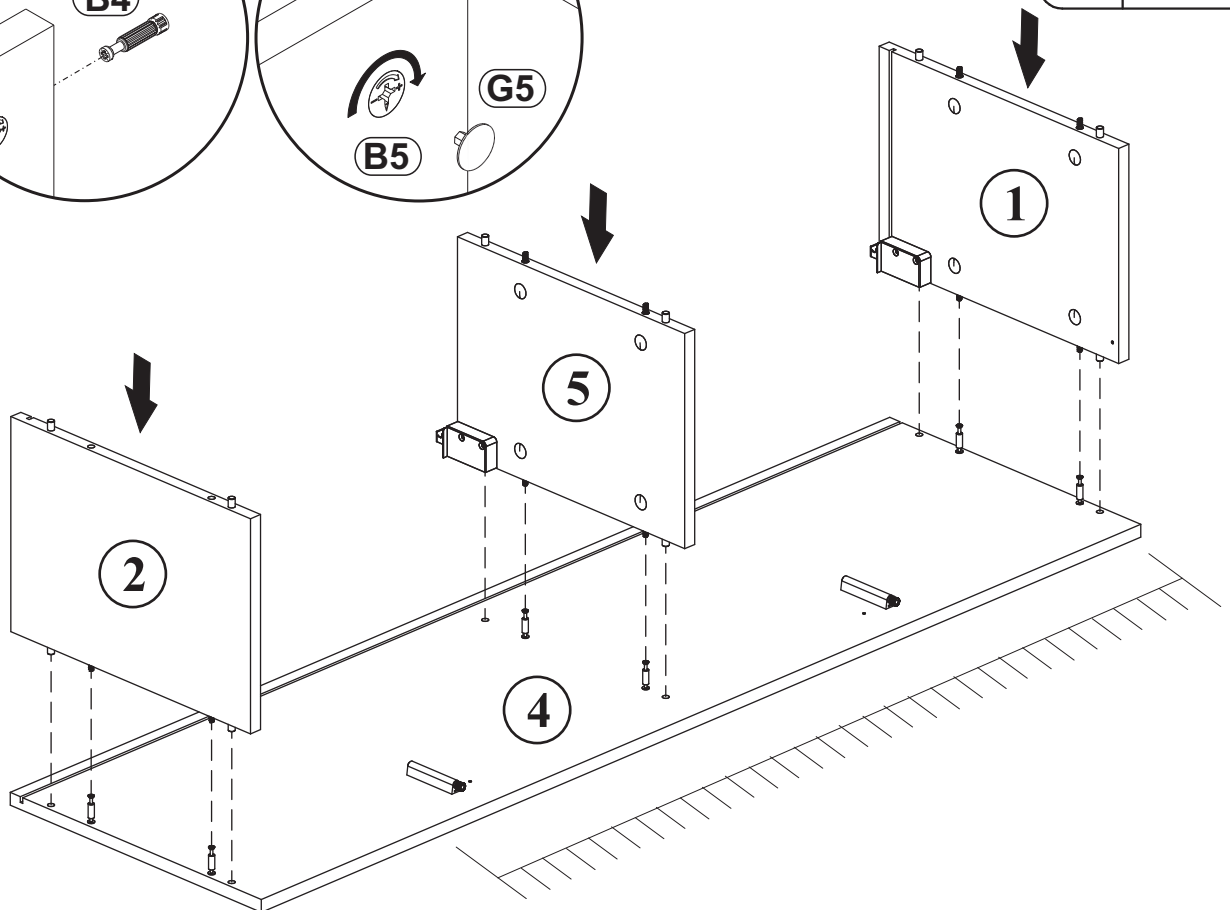
3



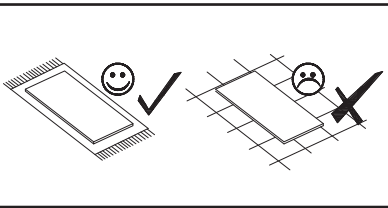
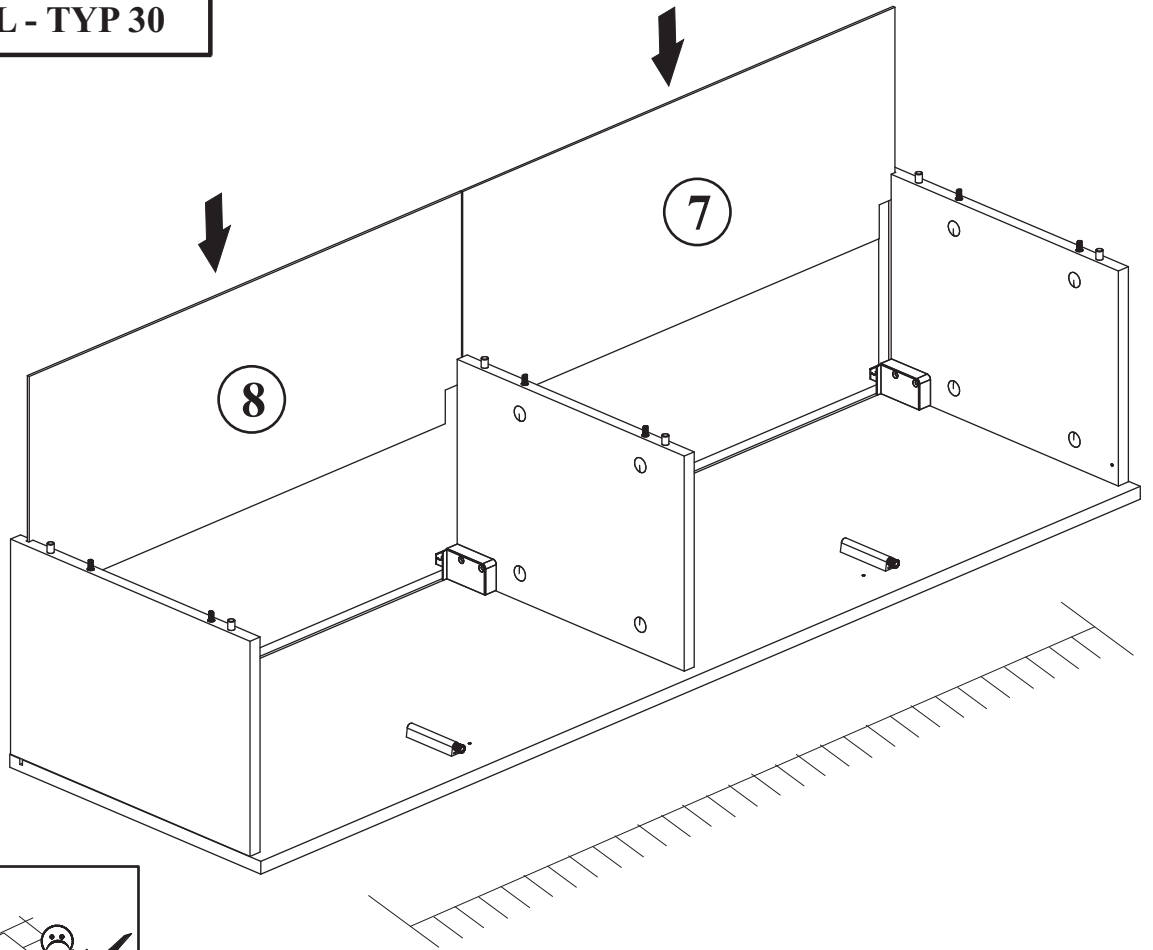
4



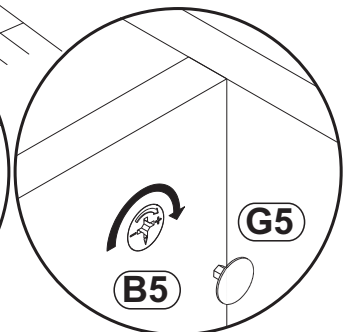
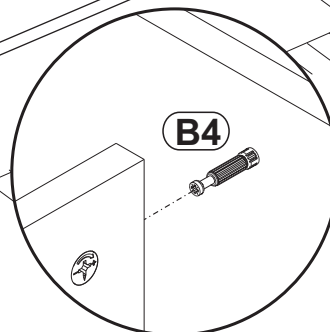
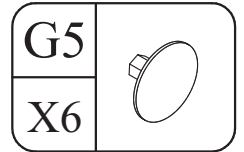
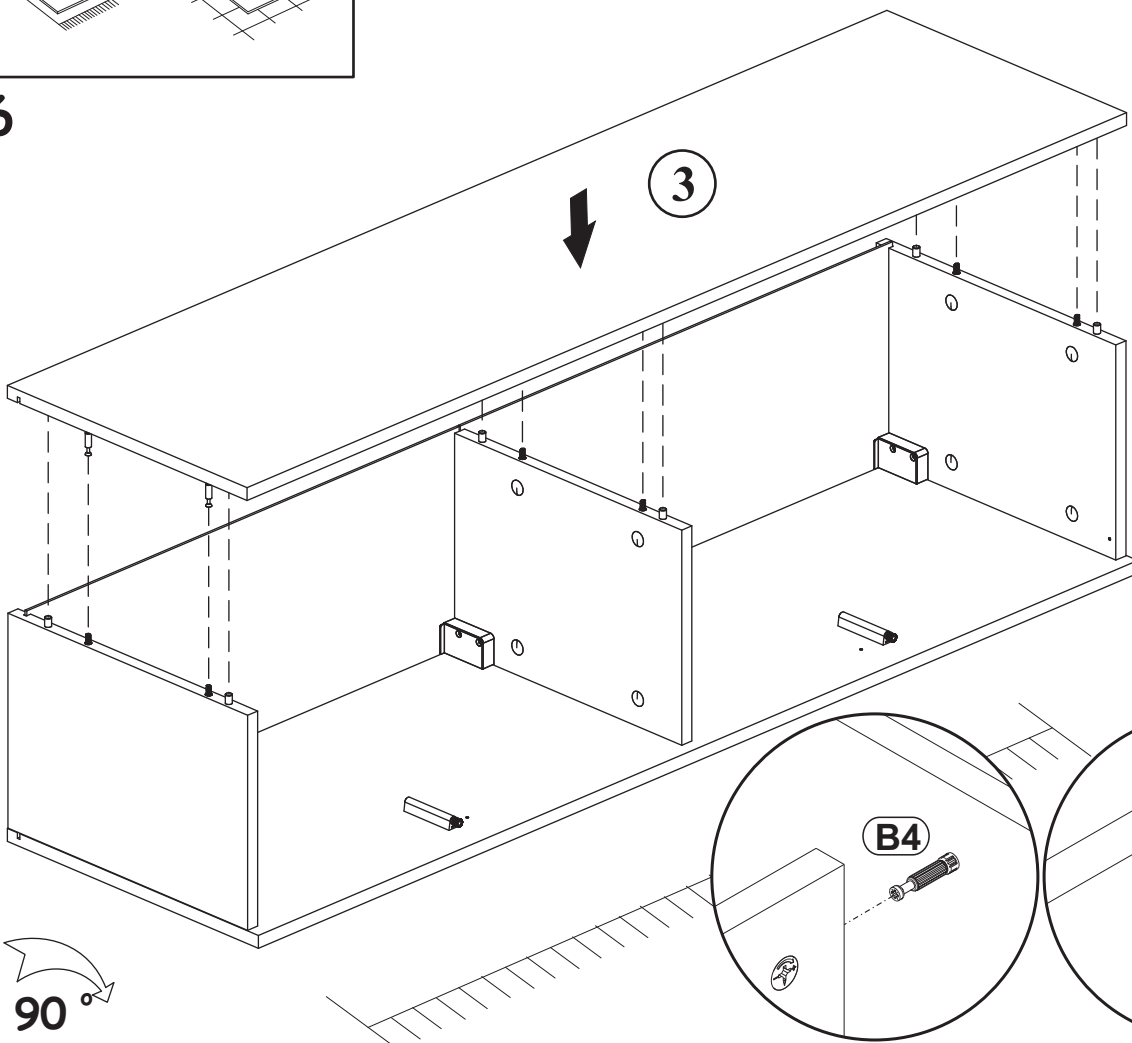
G5	
X6	



5

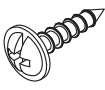


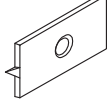
6

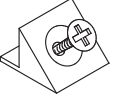


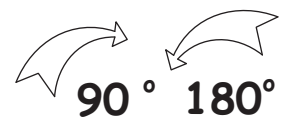
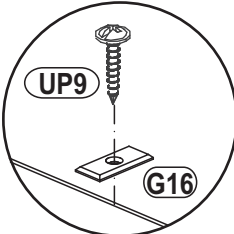
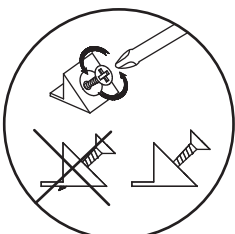
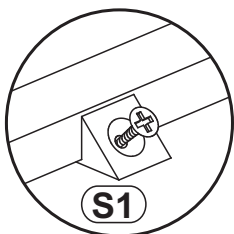
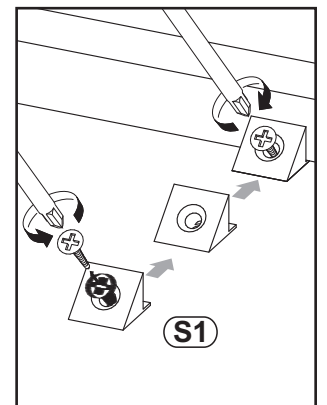
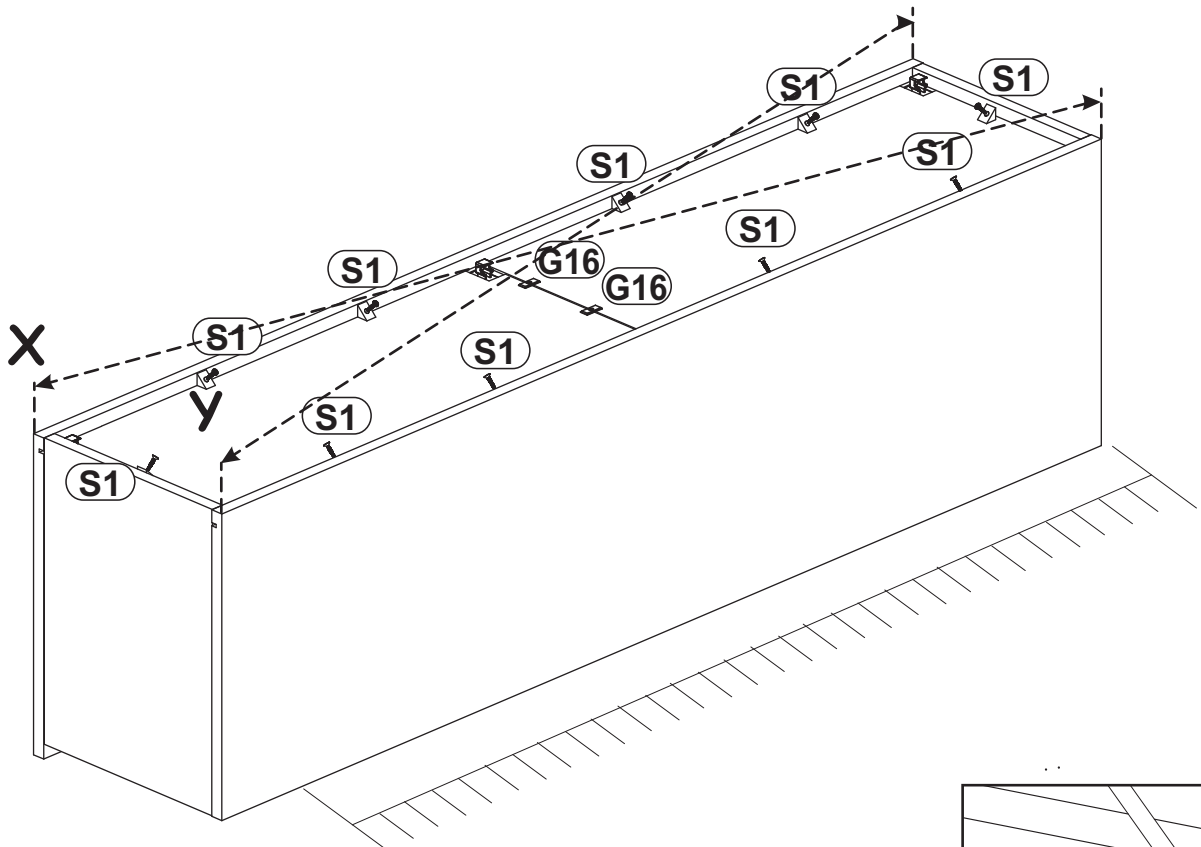
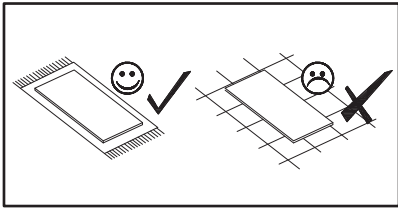
SOLO \_\_\_ SL - TYP 30

7

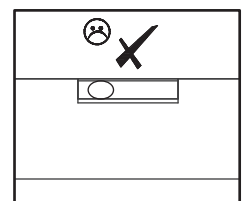
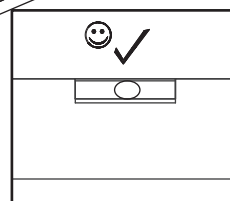
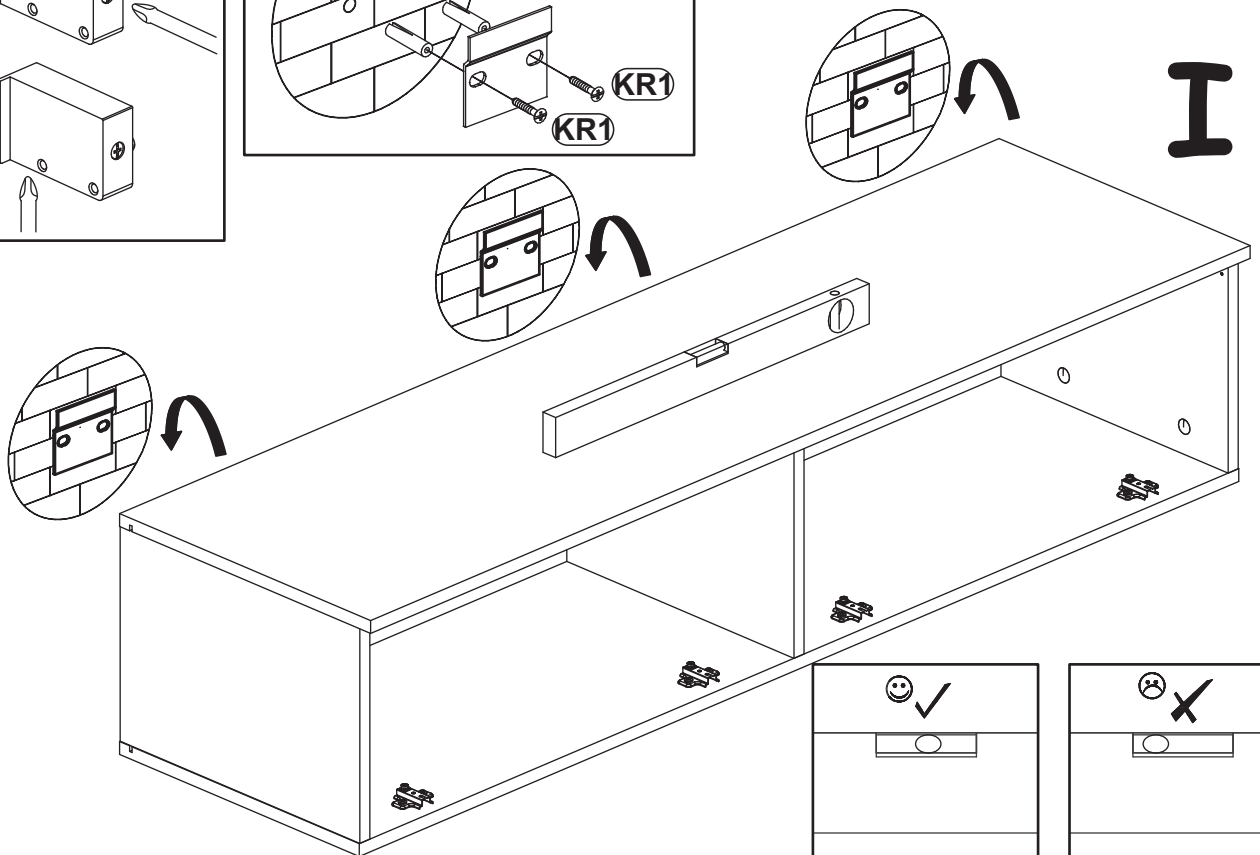
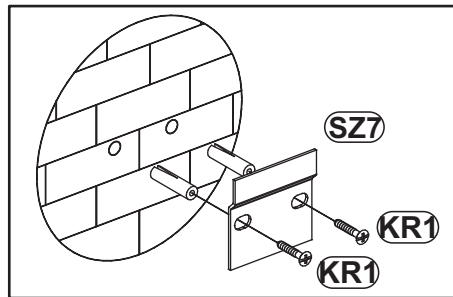
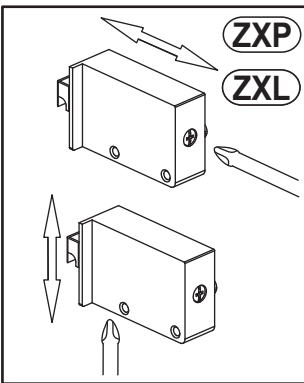
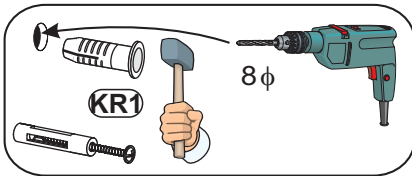
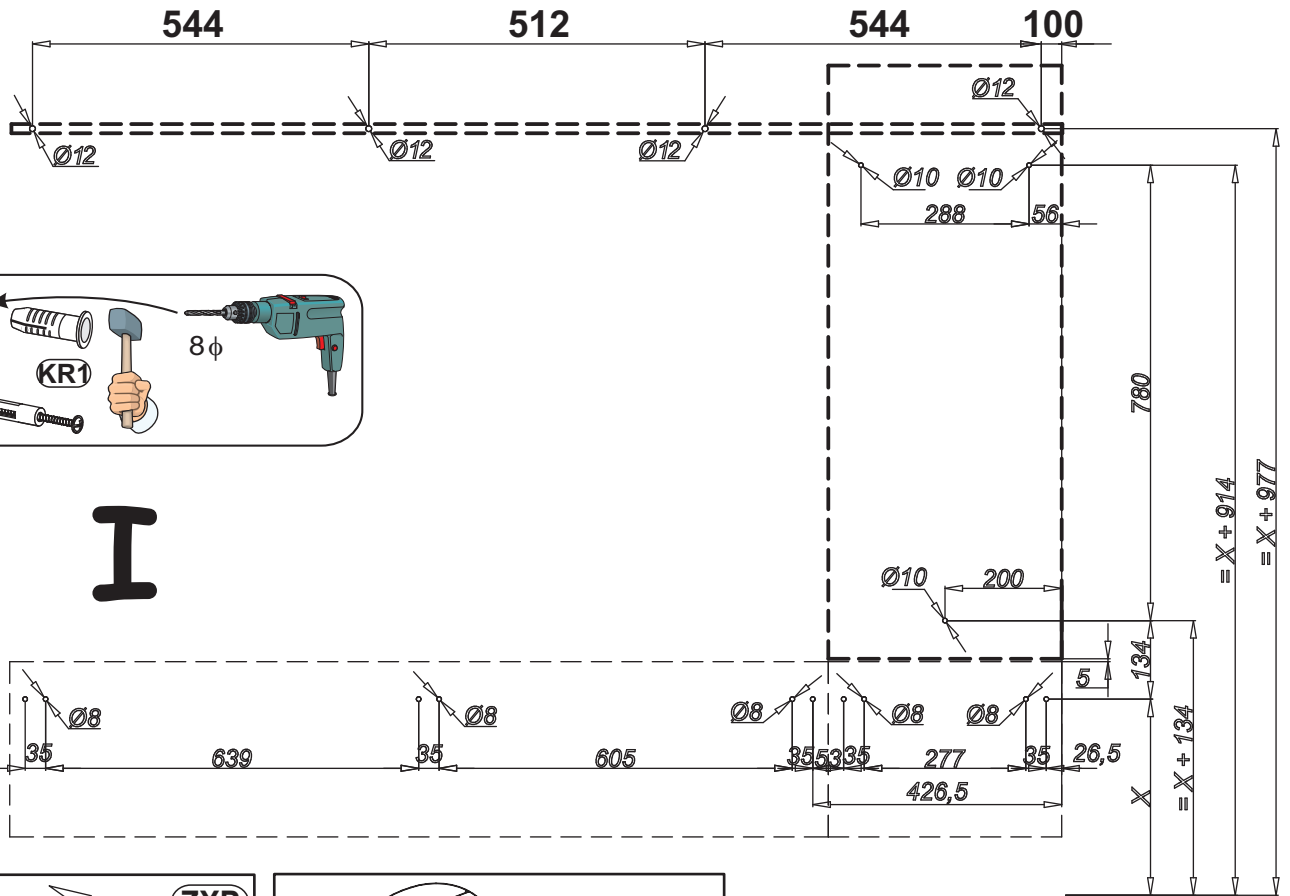
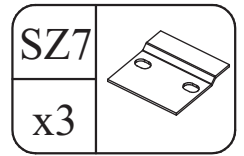
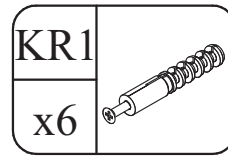
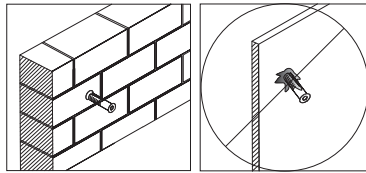
UP9	
x2	UPØ3,5x16

G16	
x2	

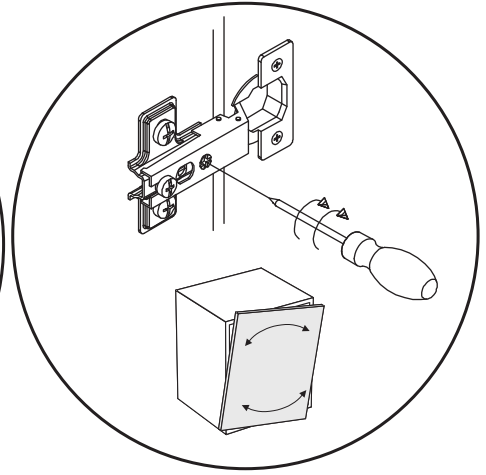
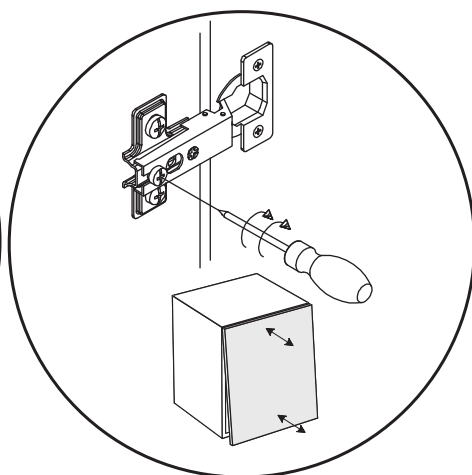
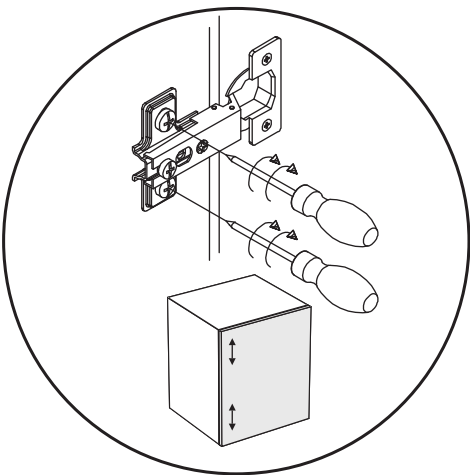
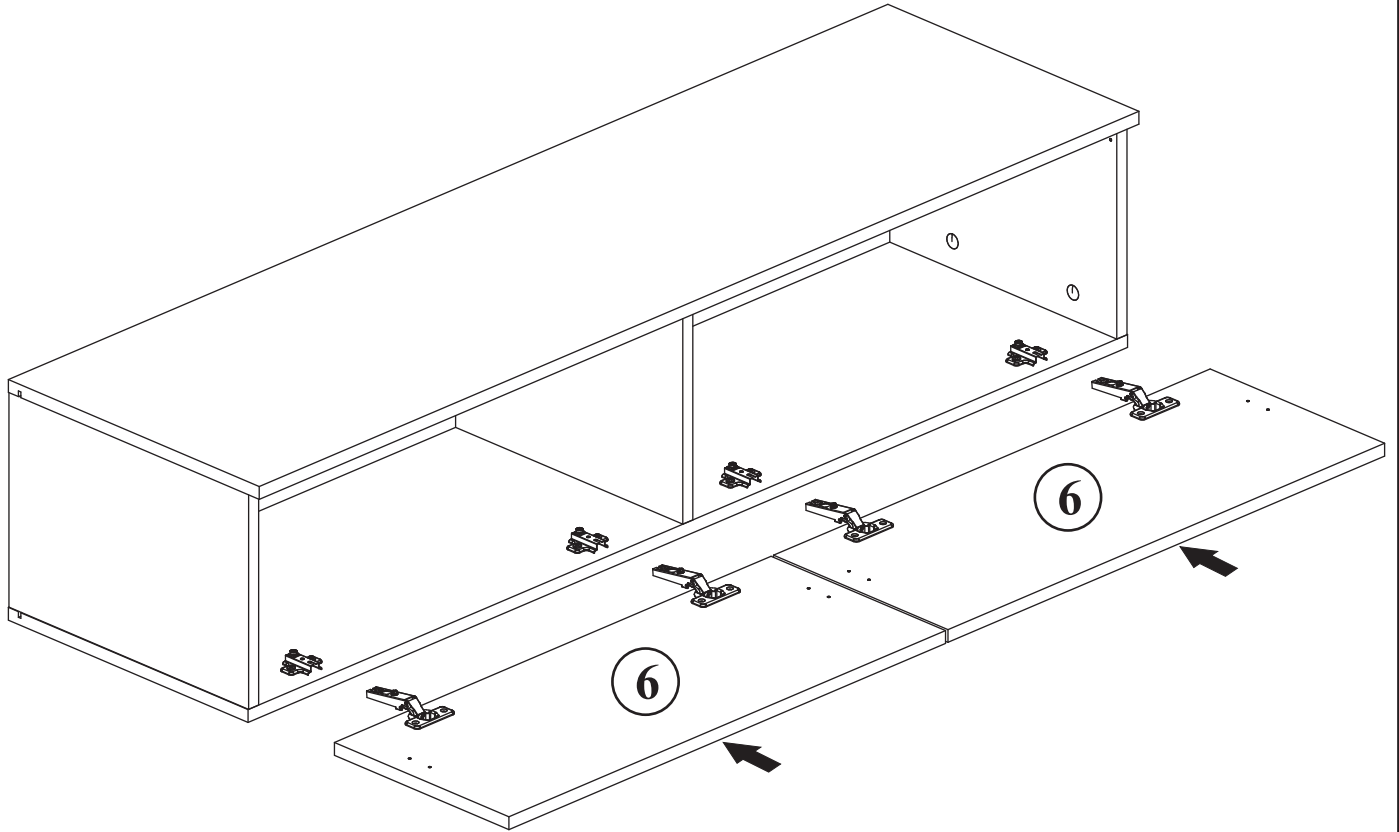
S1	
x10	




8

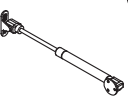


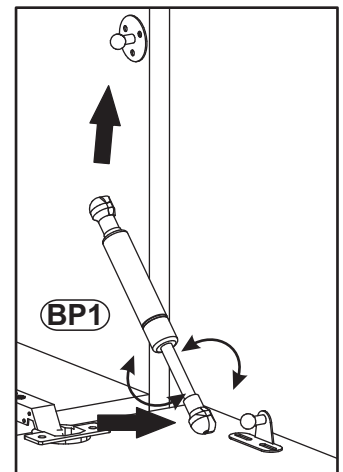
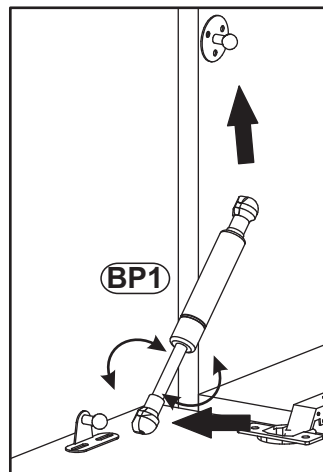
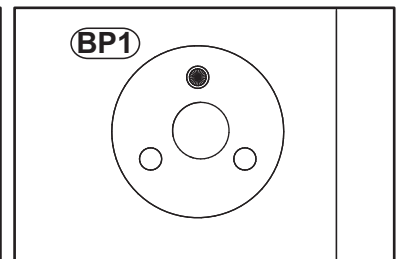
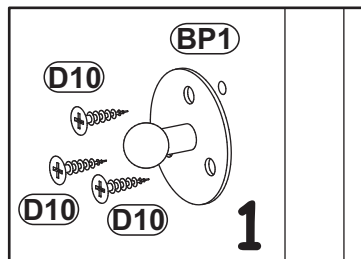
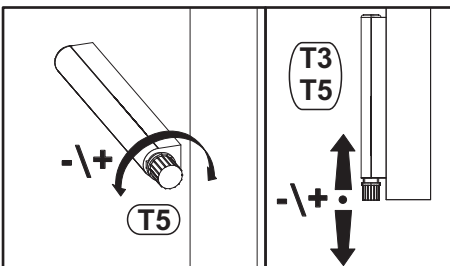
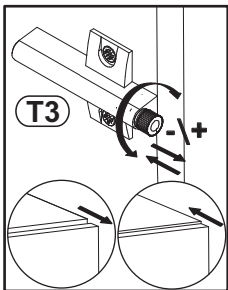
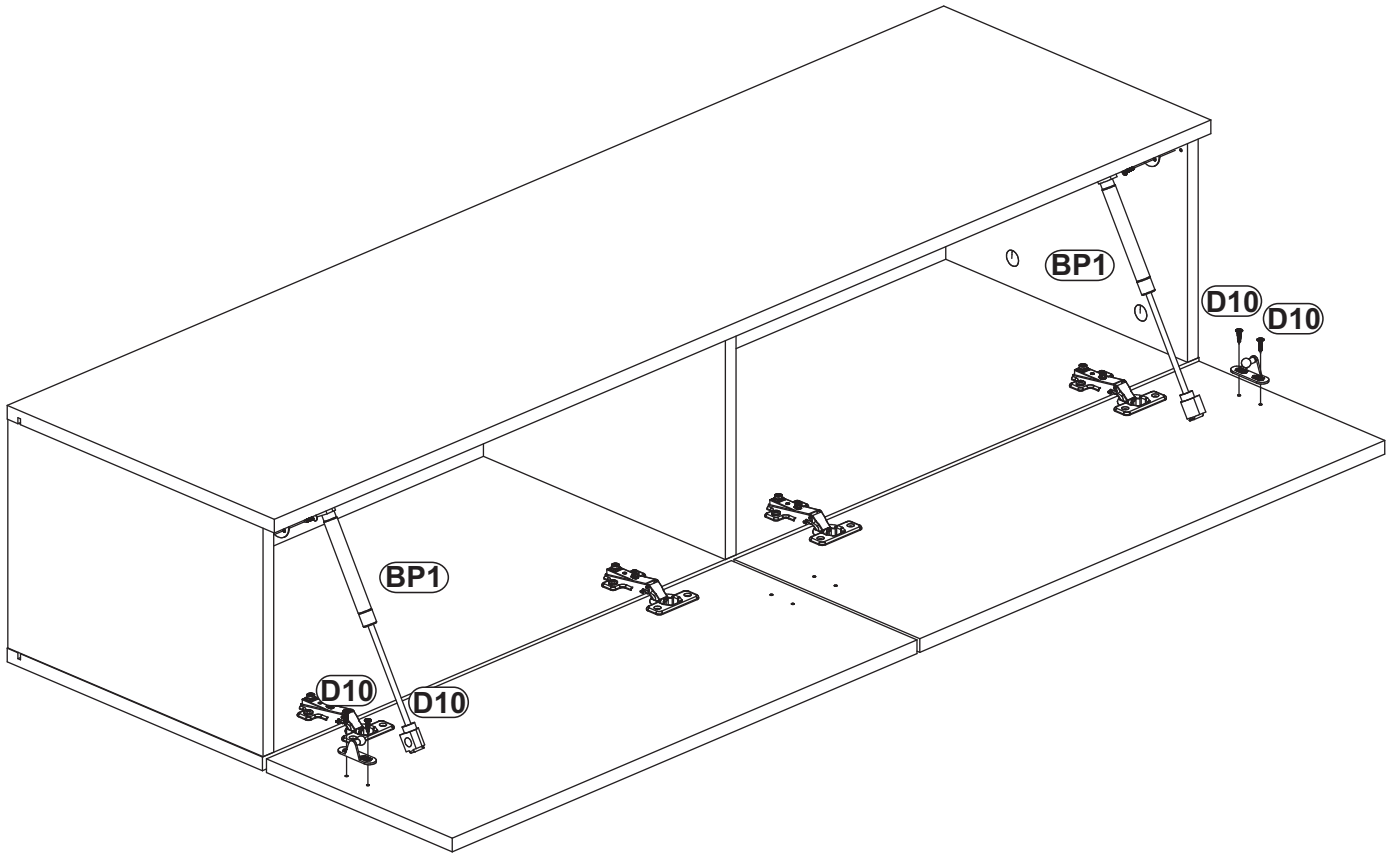
9



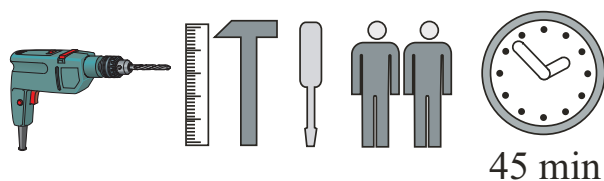
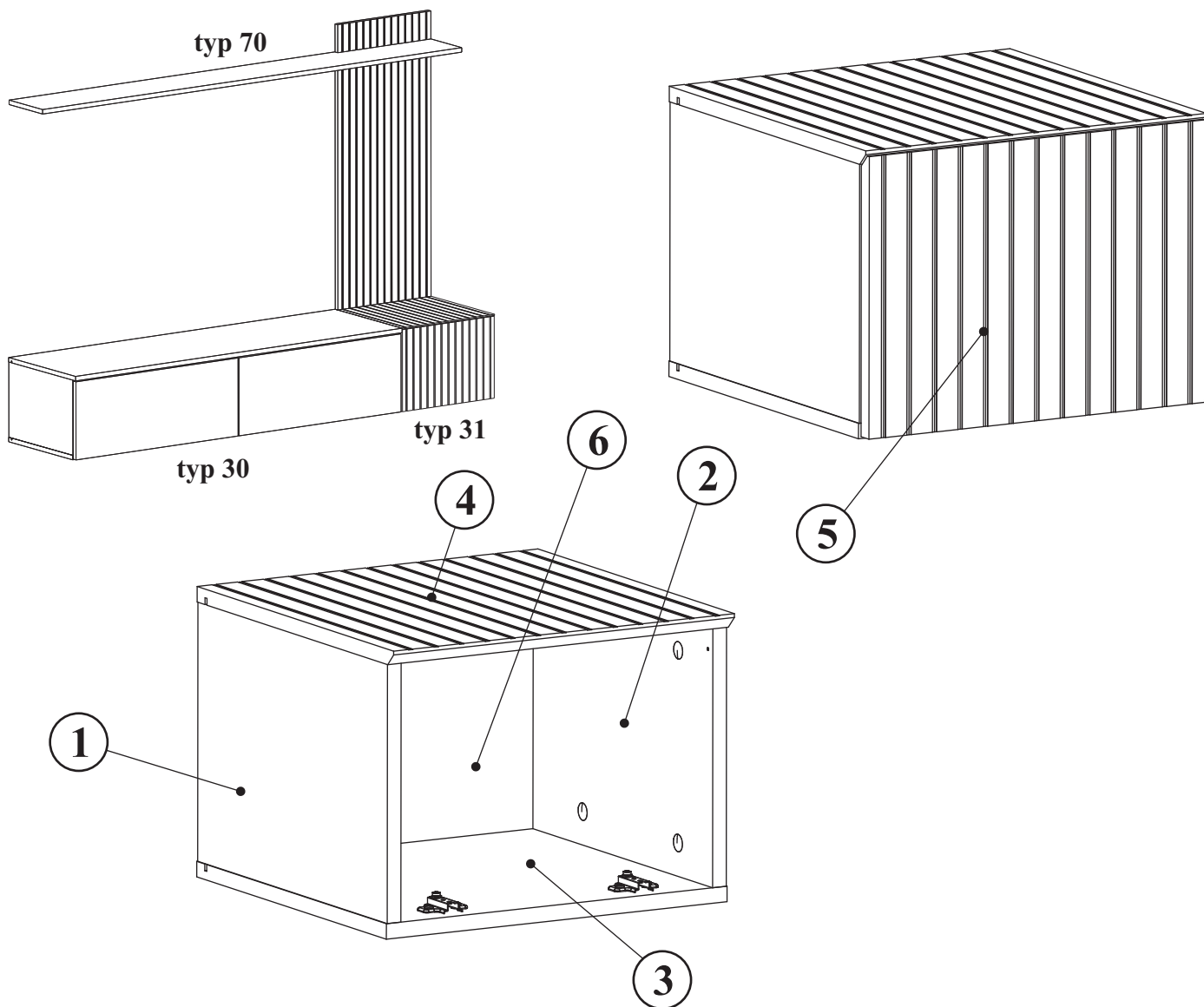
10

D10	
x10	USØ3,5x13

BP1	
x2	

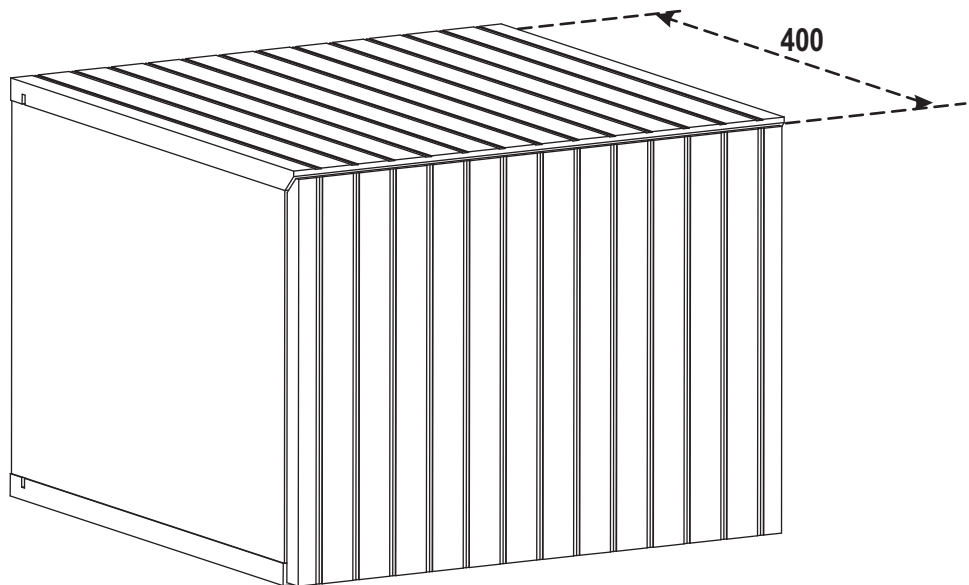
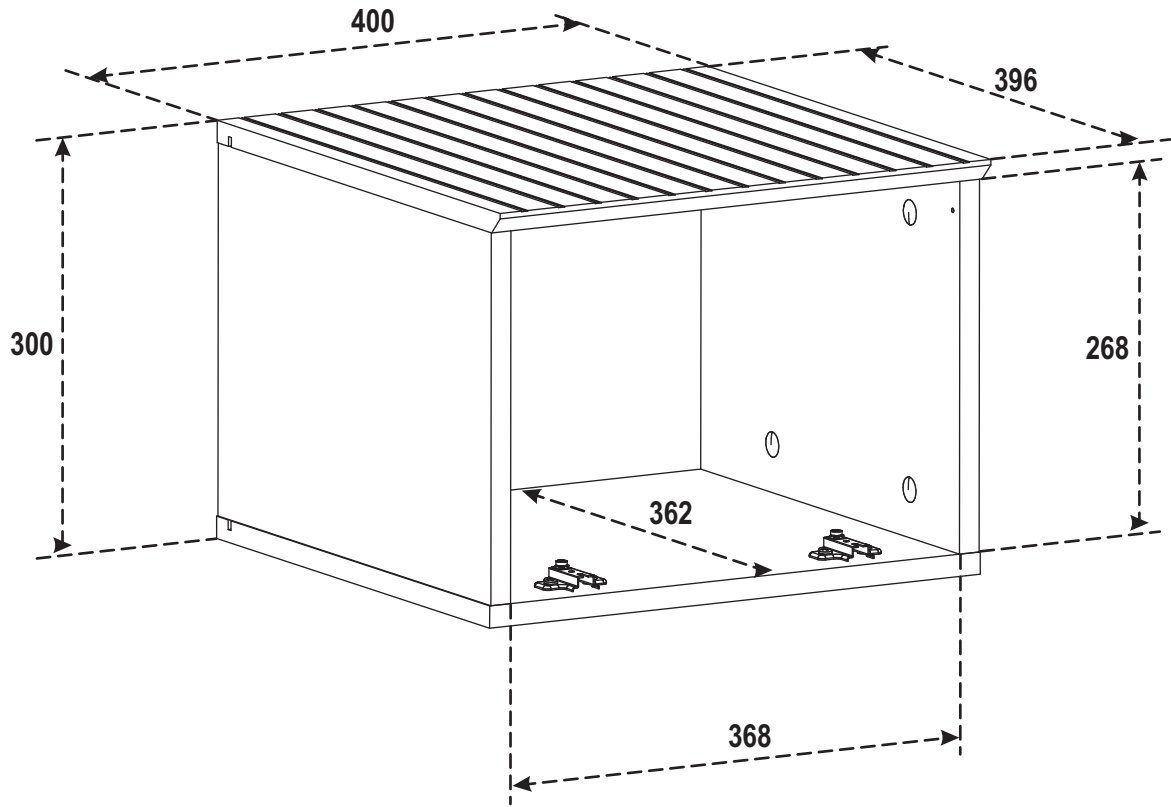


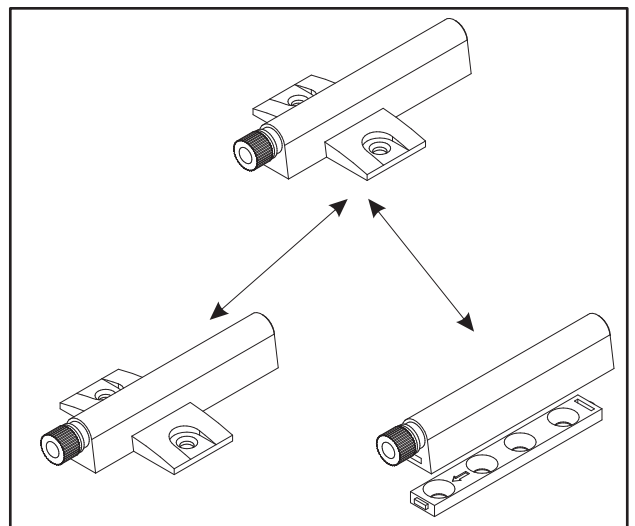
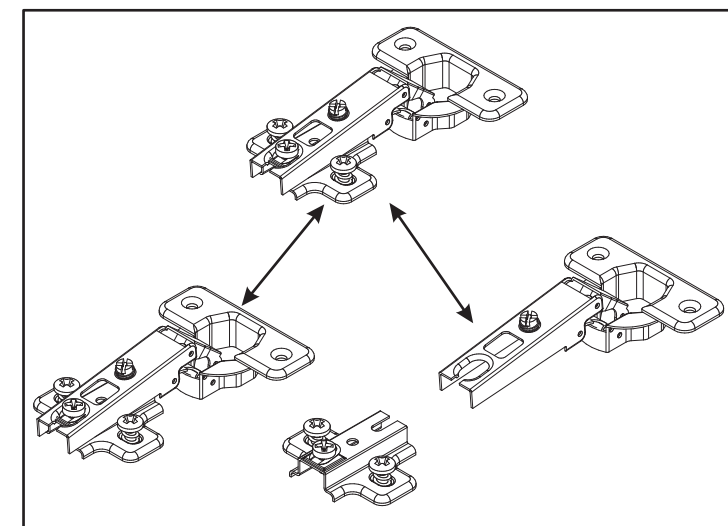
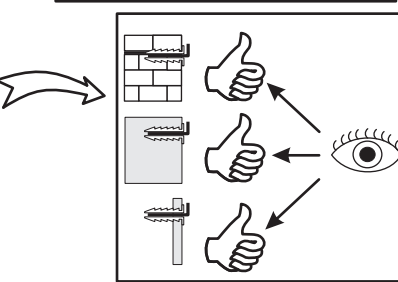
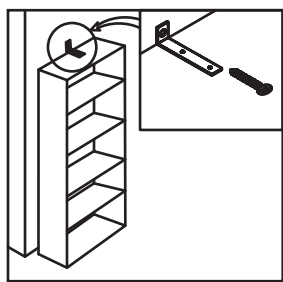
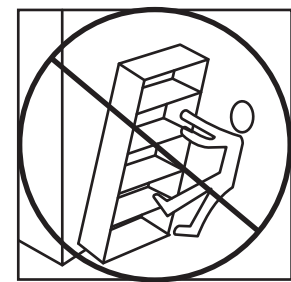
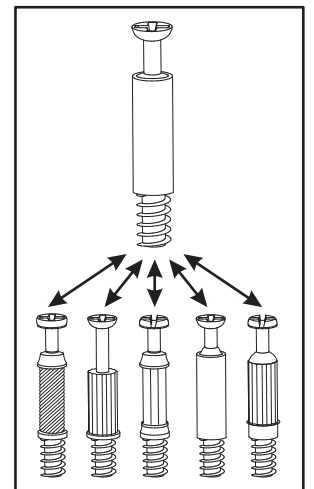
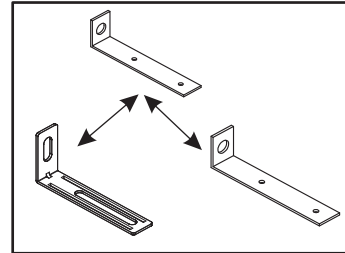
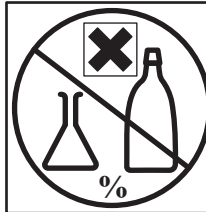
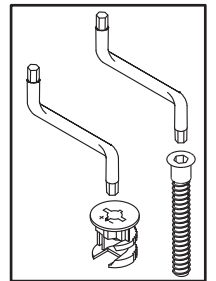
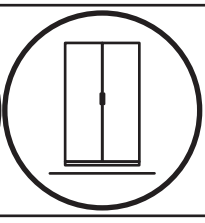
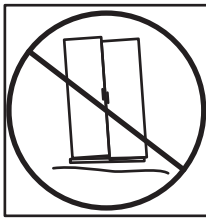
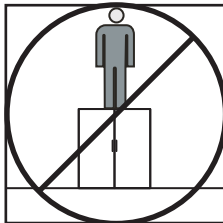
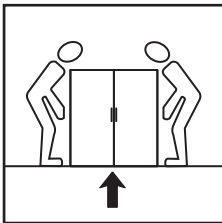
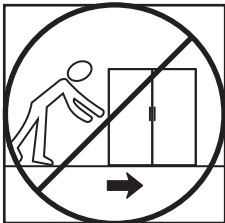
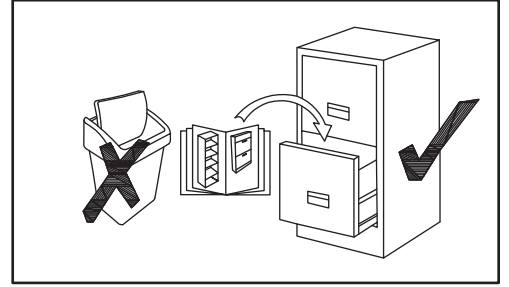
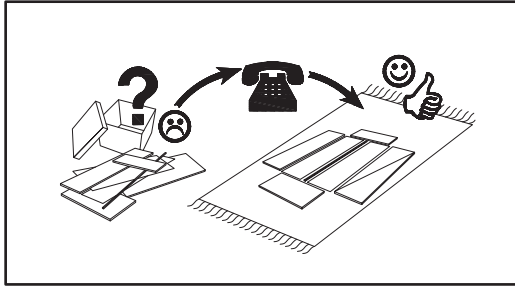
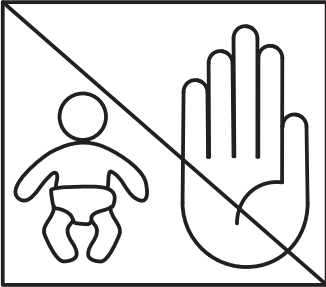
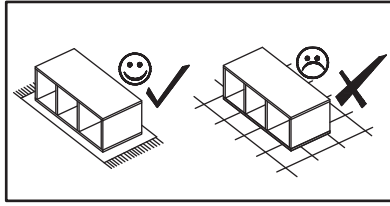
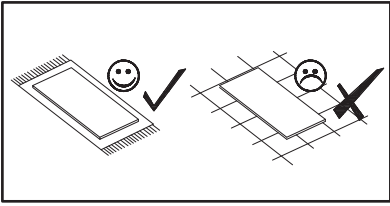
# SOLO \_\_\_ SL - TYP 31



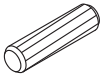
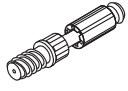
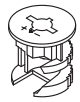

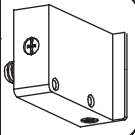
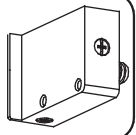
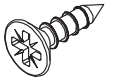

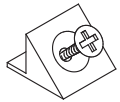

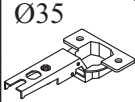
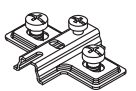
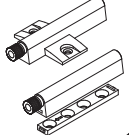

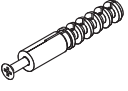
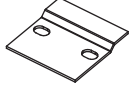
NO	Dim.			Col-No	Qty
1	268	382	16	2/2	1
2	268	382	16	2/2	1
3	382	400	16	2/2	1
4	396	400	16	2/2	1
5	292	394	16	2/2	1
6	378	282	3	2/2	1

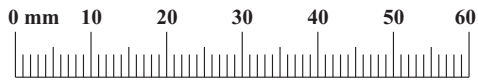
# SOLO \_\_\_ SL - TYP 31





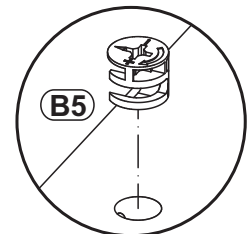
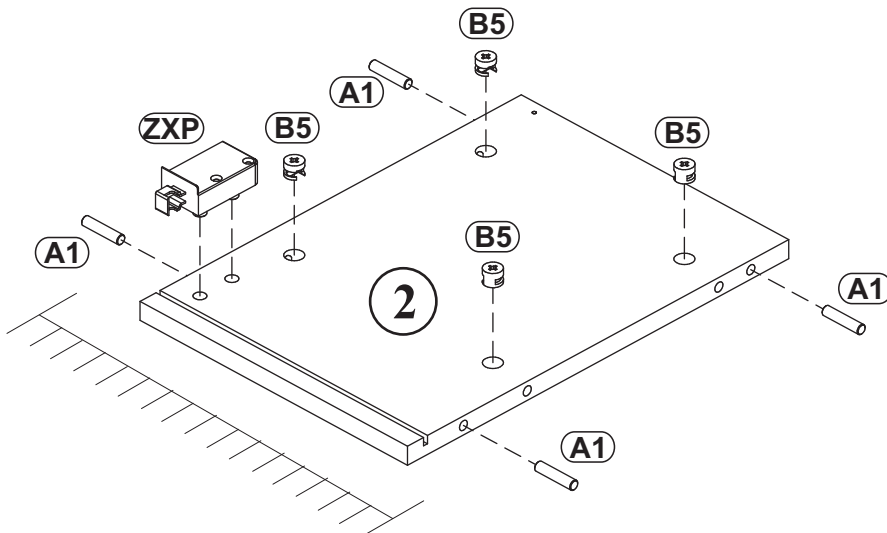
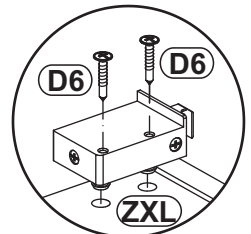
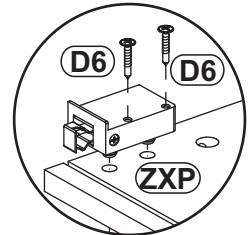
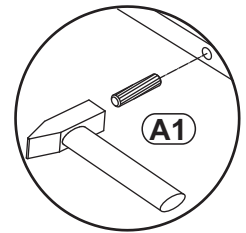
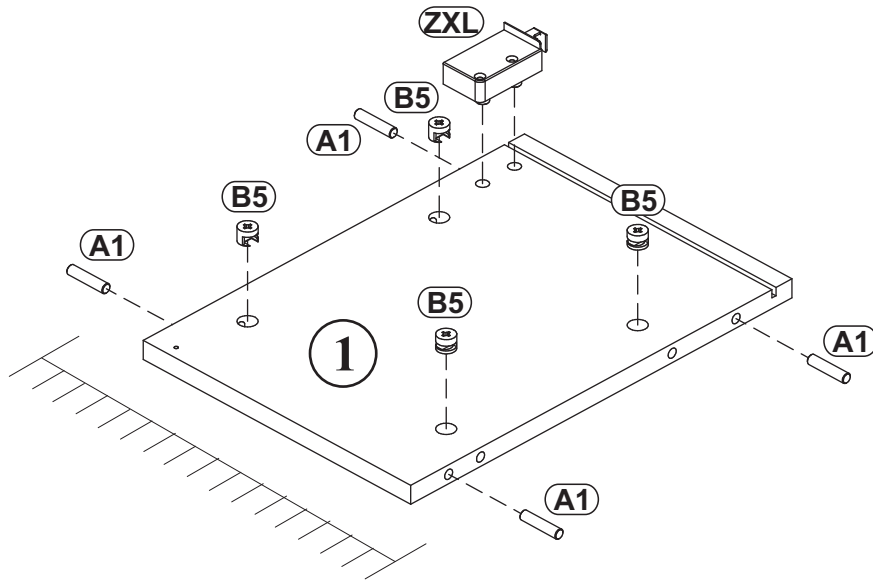
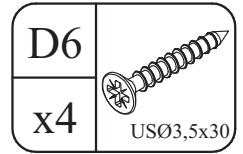
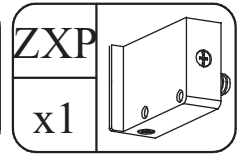
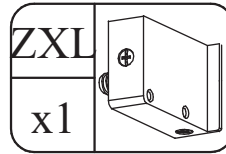
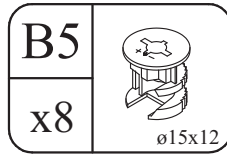
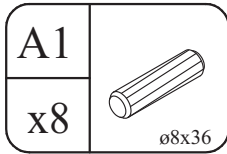
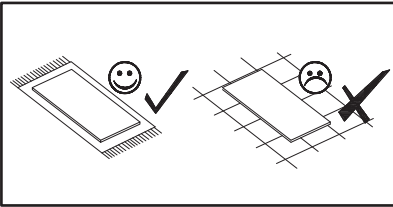
**SOLO \_\_\_ SL - TYP 31**

A1 x8  ø8x36	B4 x8 	B5 x8  ø15x12	G5 x8 	ZXL x1 	ZXP x1 
D10 x11  USØ3,5x13	G2 x1 	S1 x4 	BP1 x1 	E21 x2  Ø35 H=0	E2 x2  H=0
T3/T5 x1 	D6 x4  USØ3,5x30	KR1 x4 	SZ7 x2 		



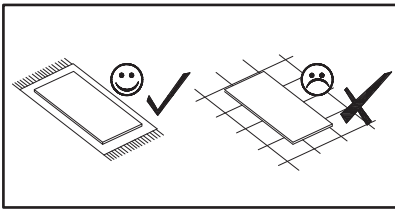
# SOLO \_\_ SL - TYP 31

1



SOLO \_\_\_ SL - TYP 31

2

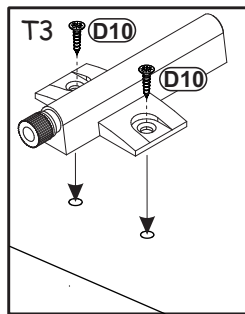
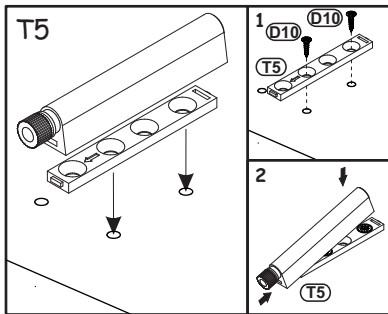
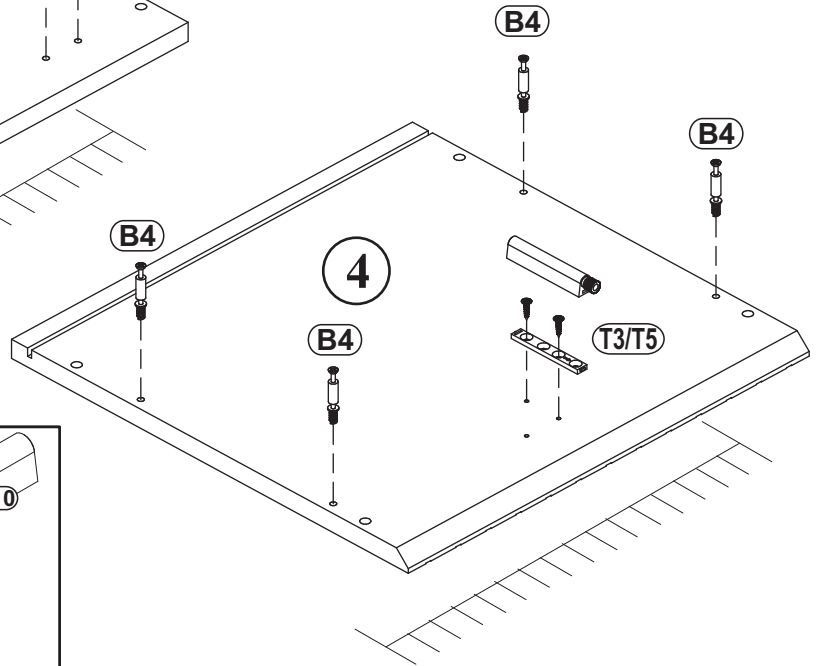
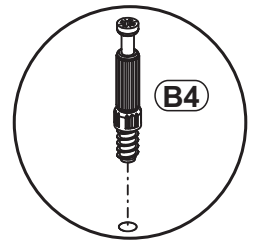
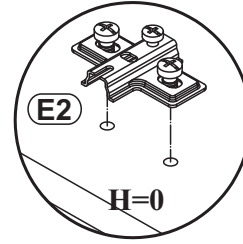
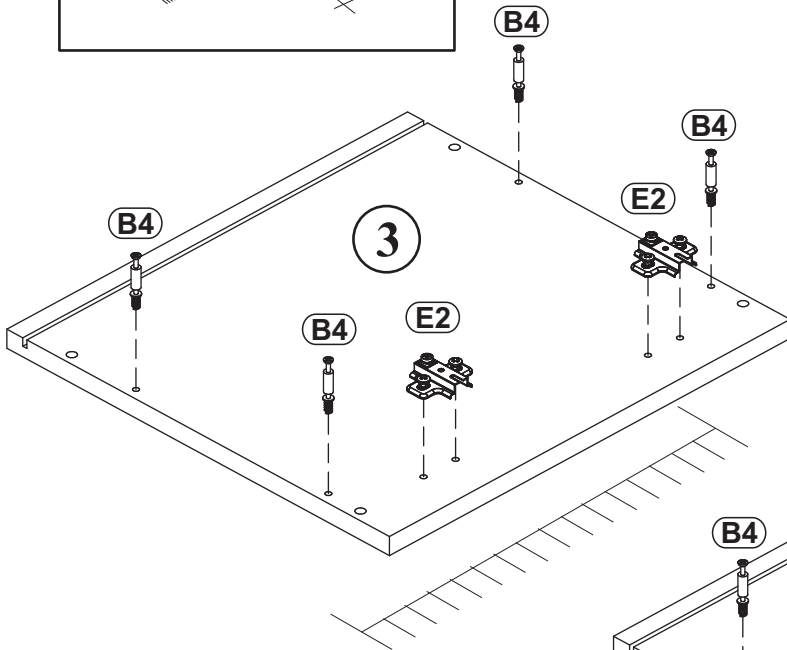


E2	
x2	H=0

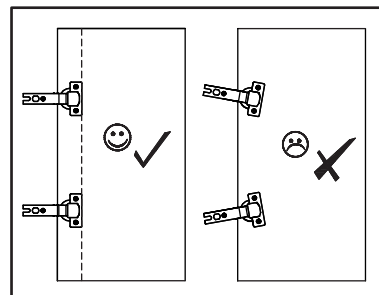
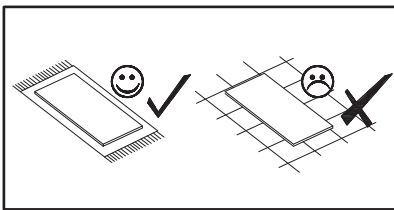
D10	
x2	USØ3,5x13

T3/T5	
x1	

B4	
x8	

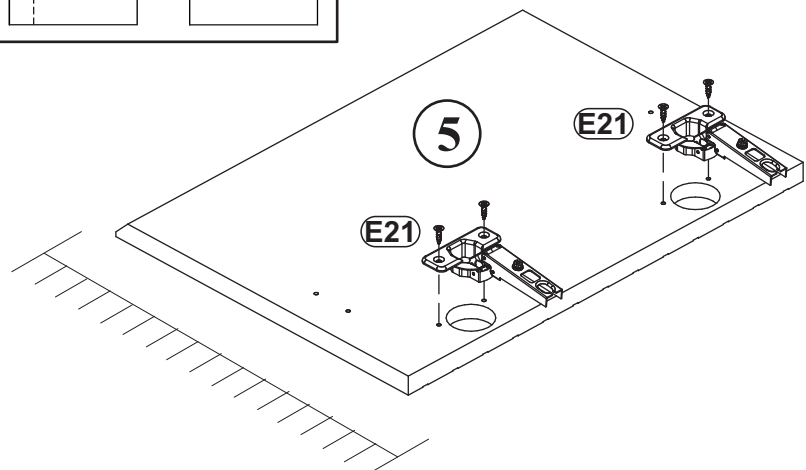
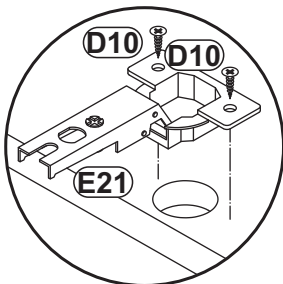


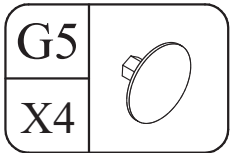
3



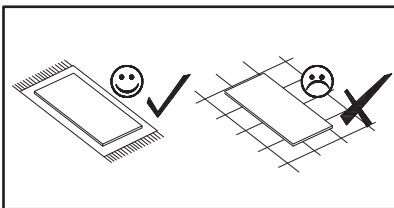
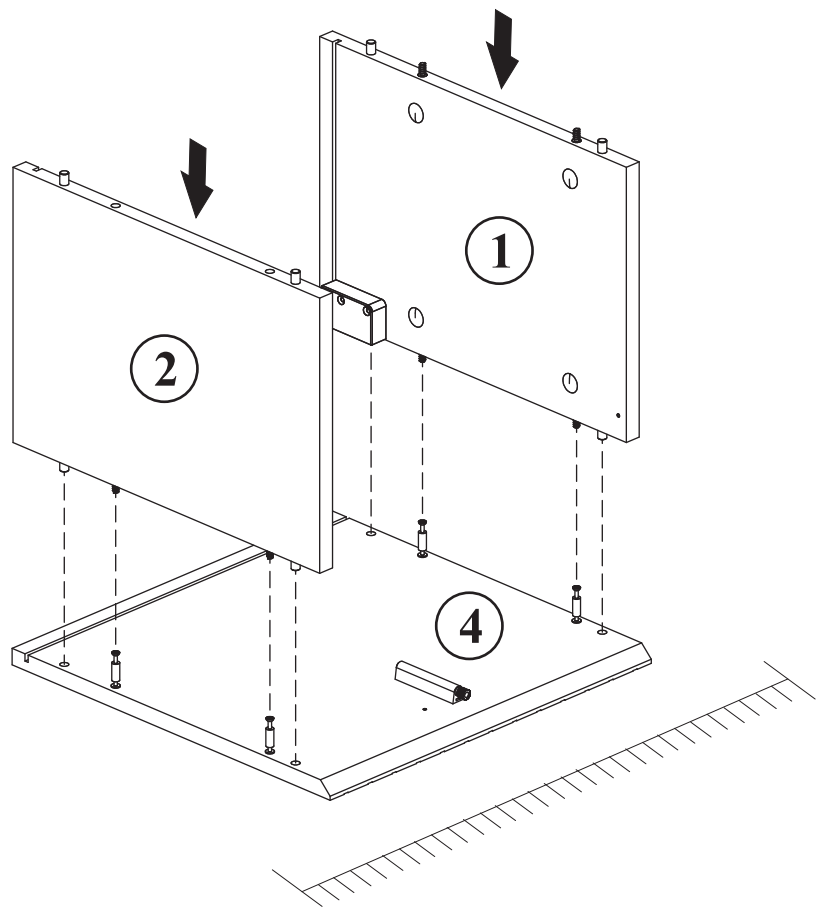
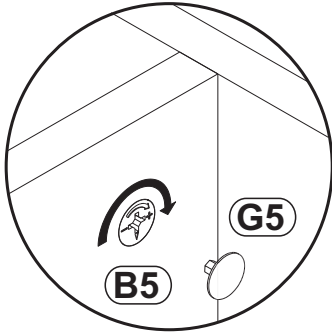
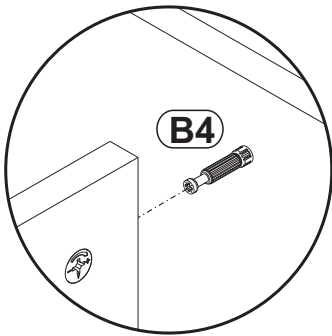
E21	Ø35
x2	H=0

D10	
X4	USØ3,5x13

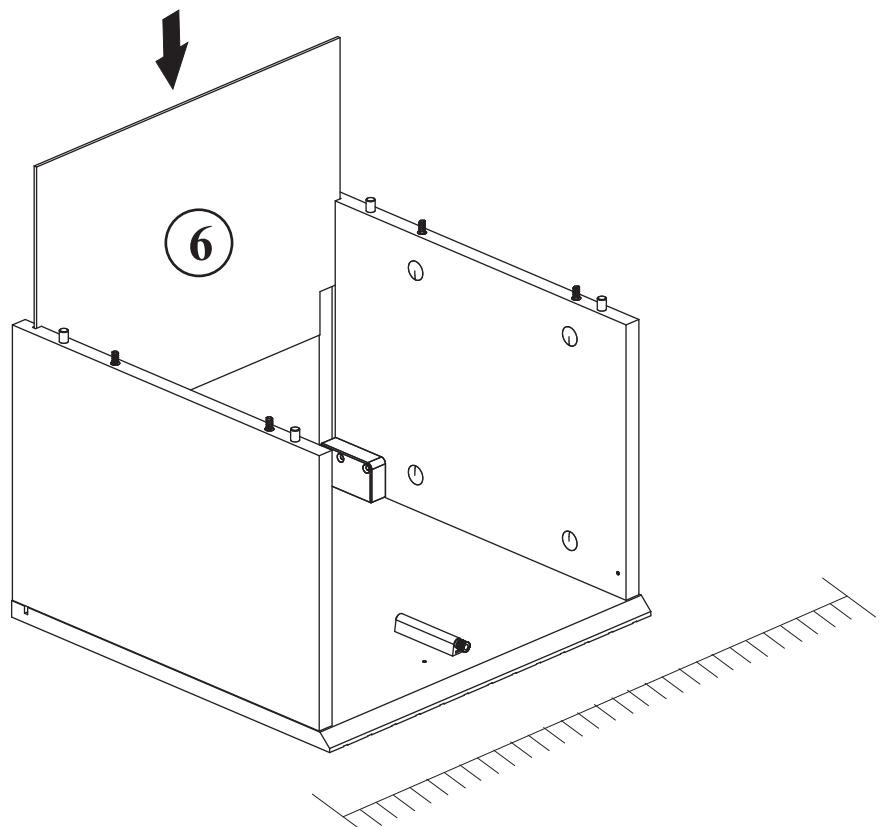




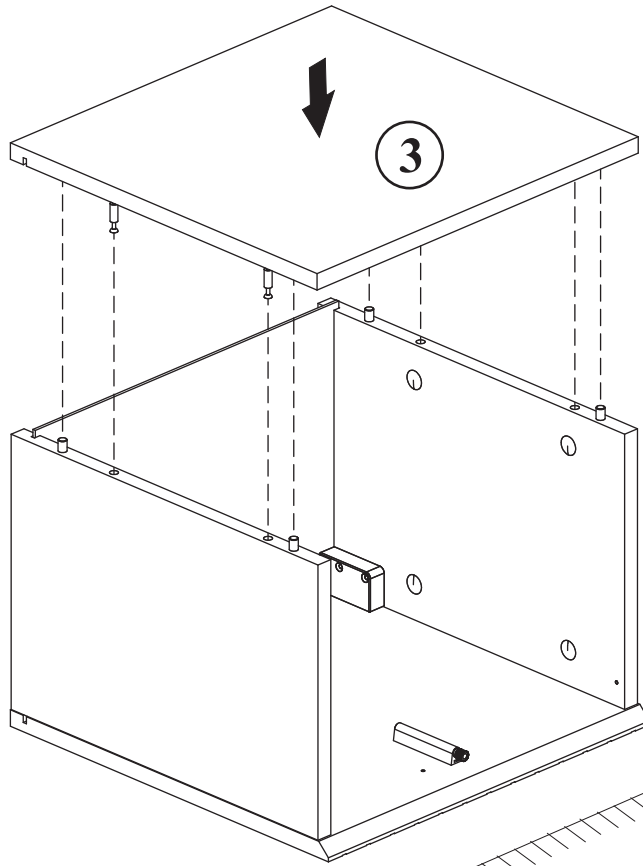
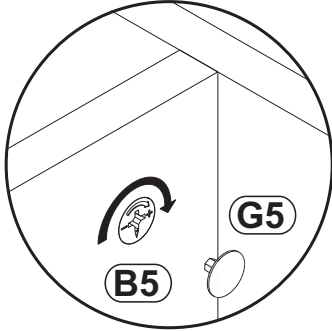
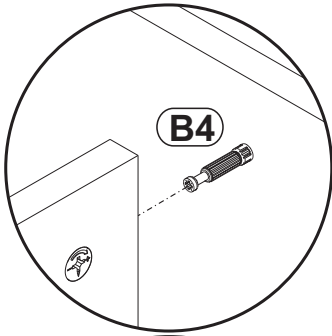
4



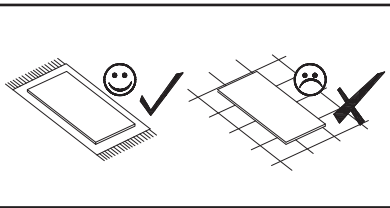
5



6



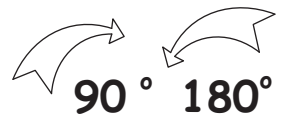
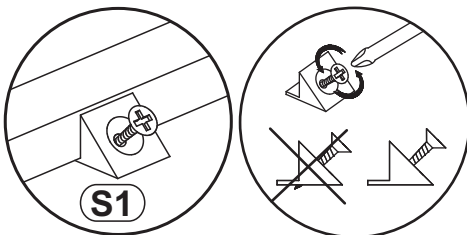
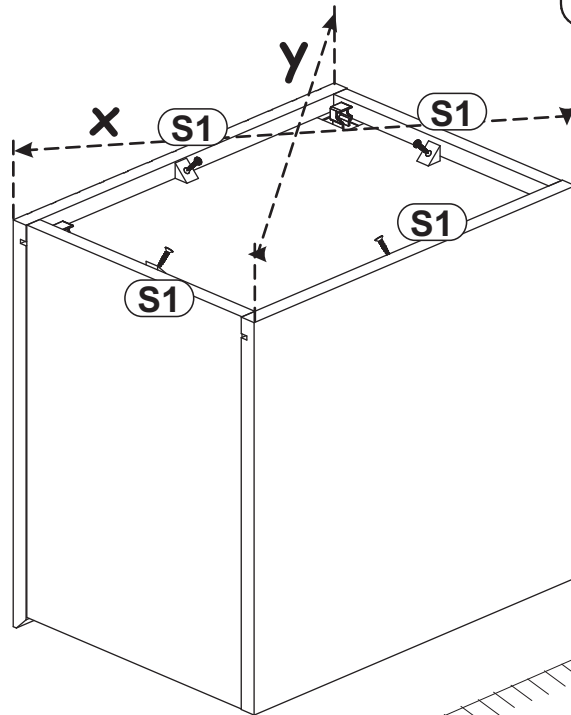
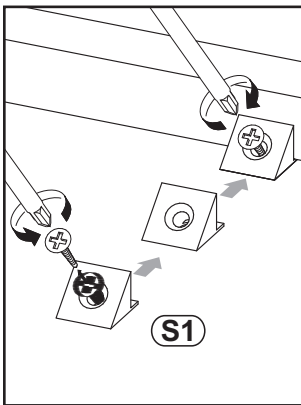
G5	
X4	



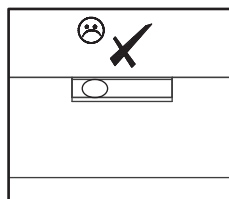
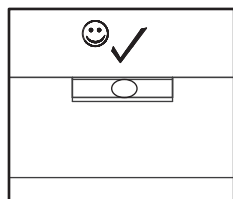
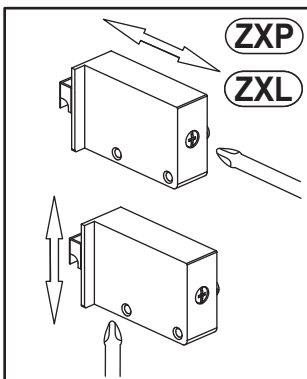
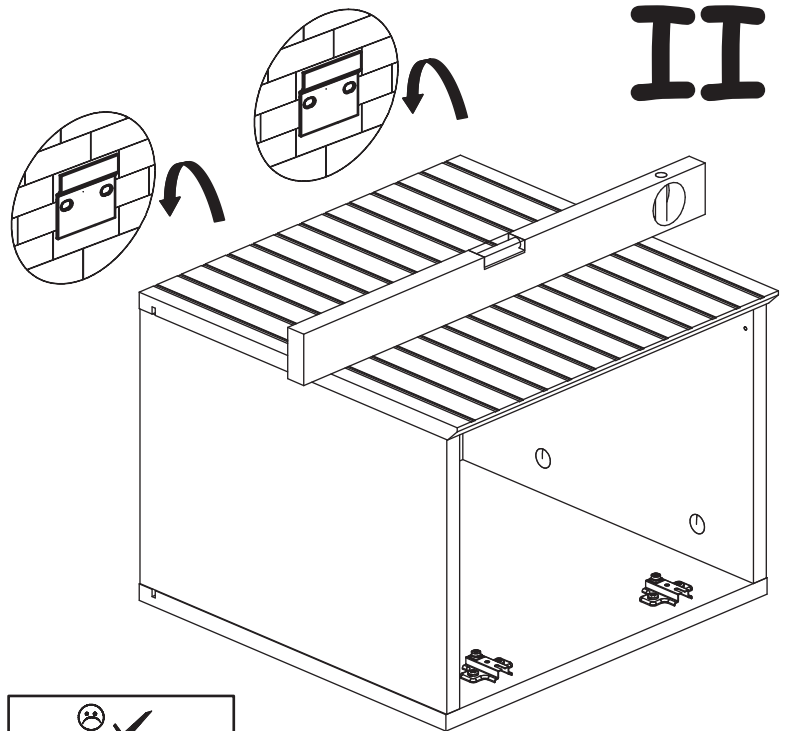
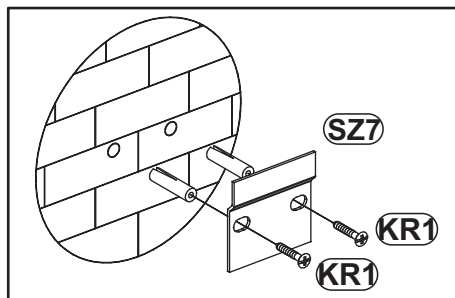
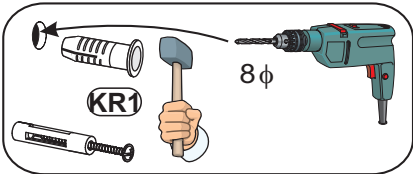
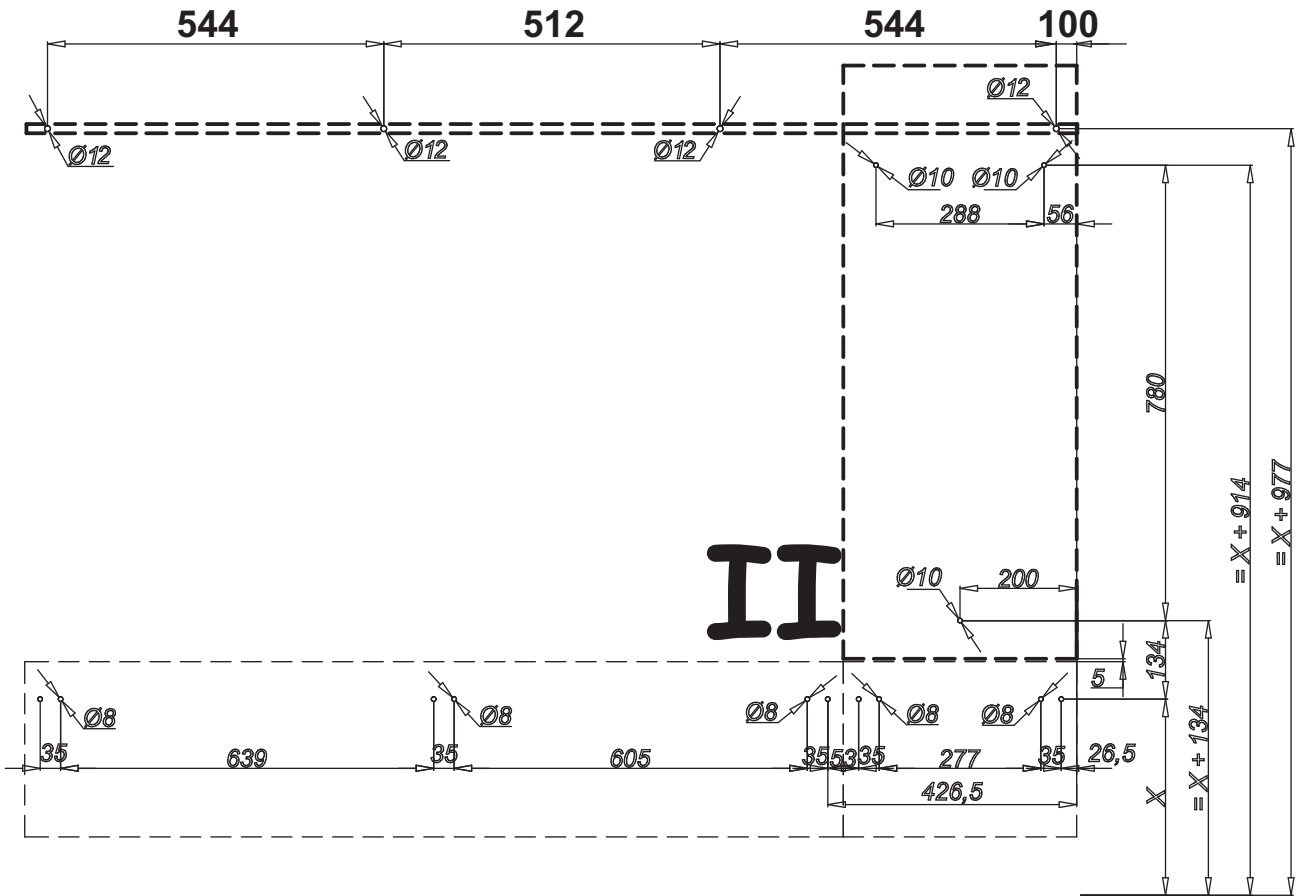
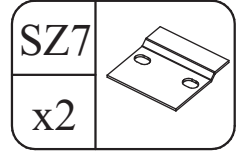
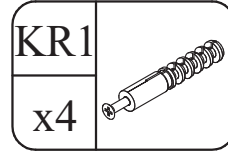
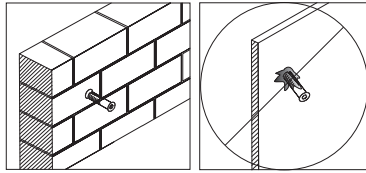
7



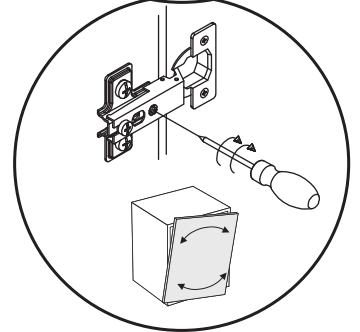
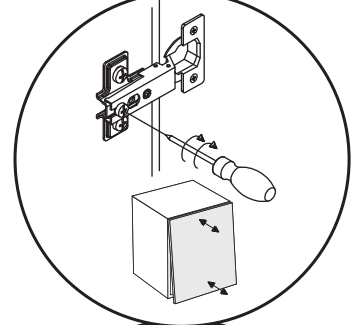
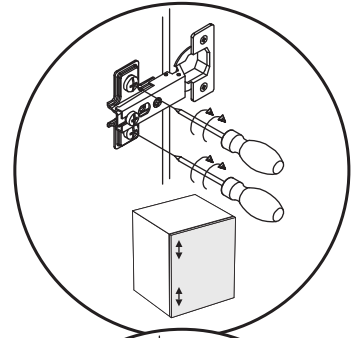
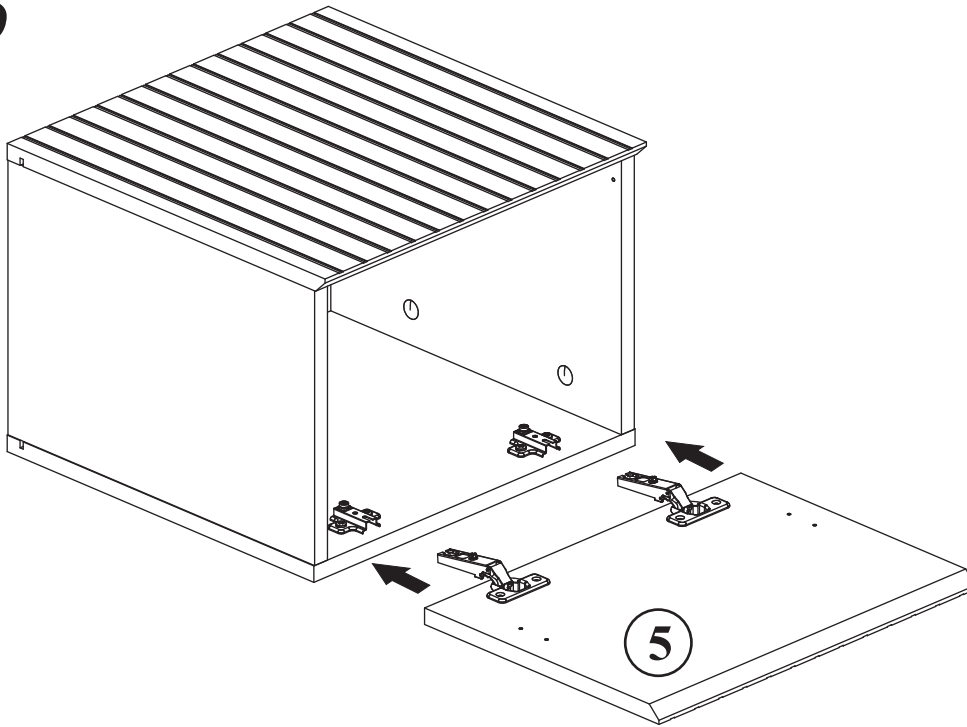
S1	
x4	



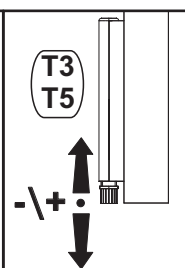
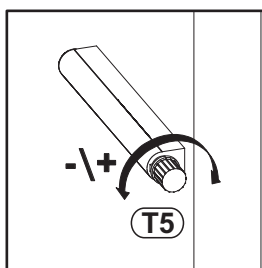
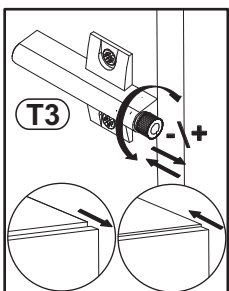
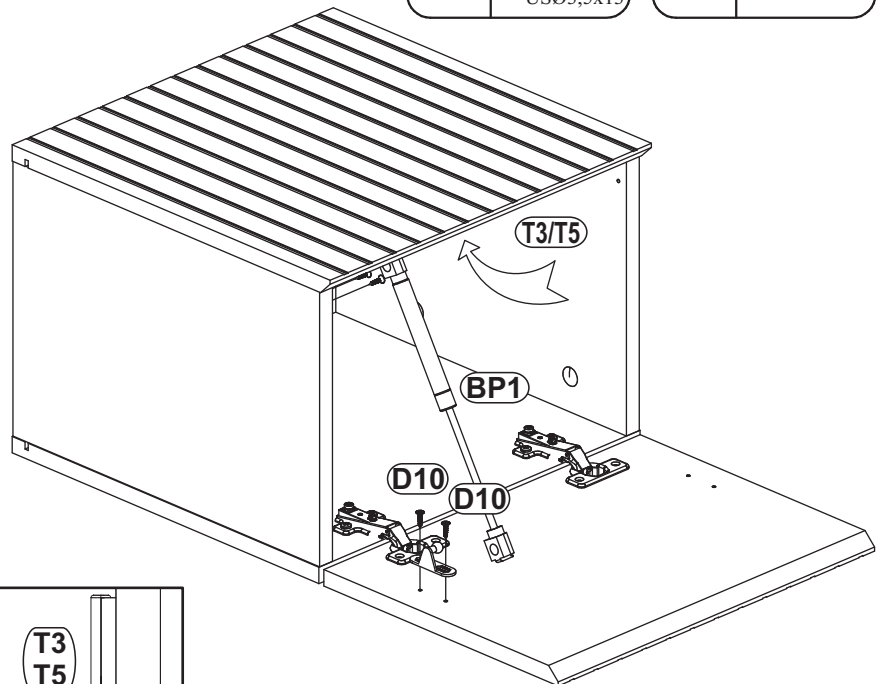
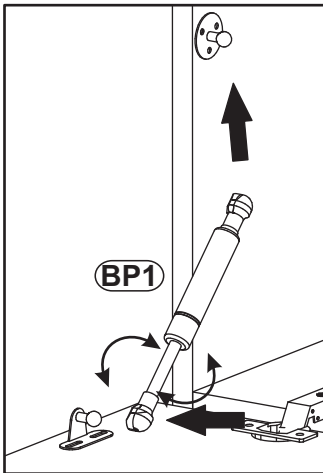
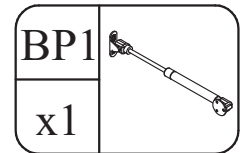
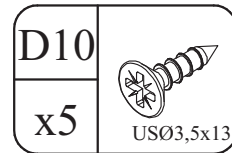
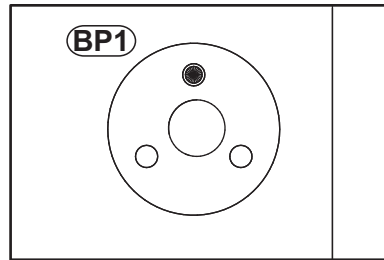
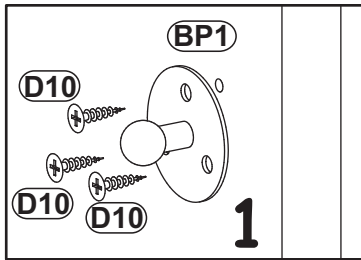
8



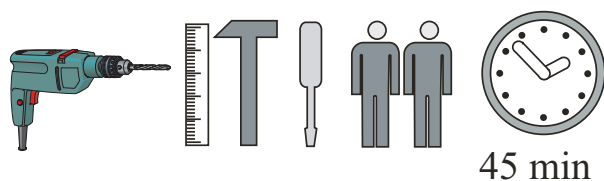
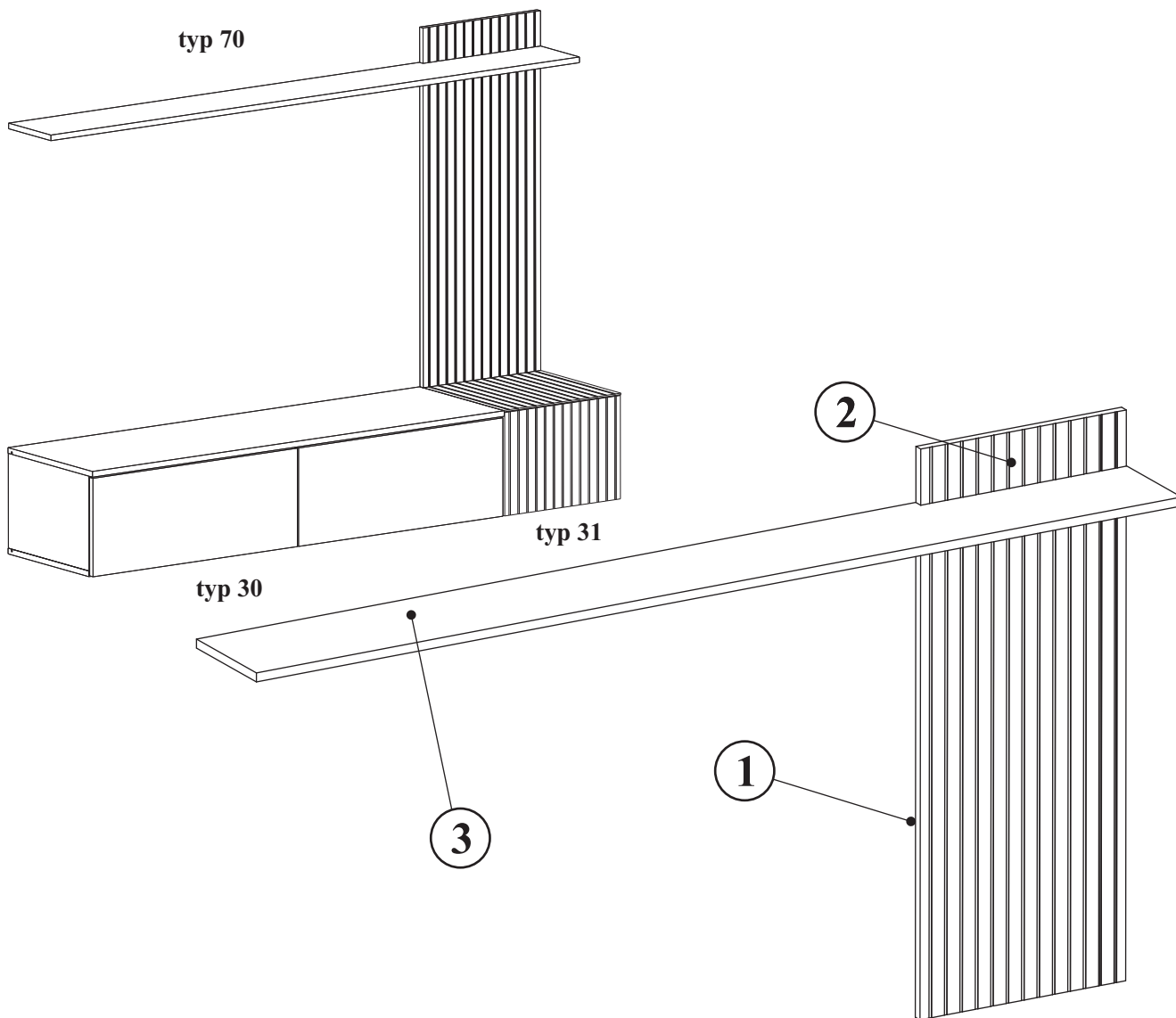
9



10

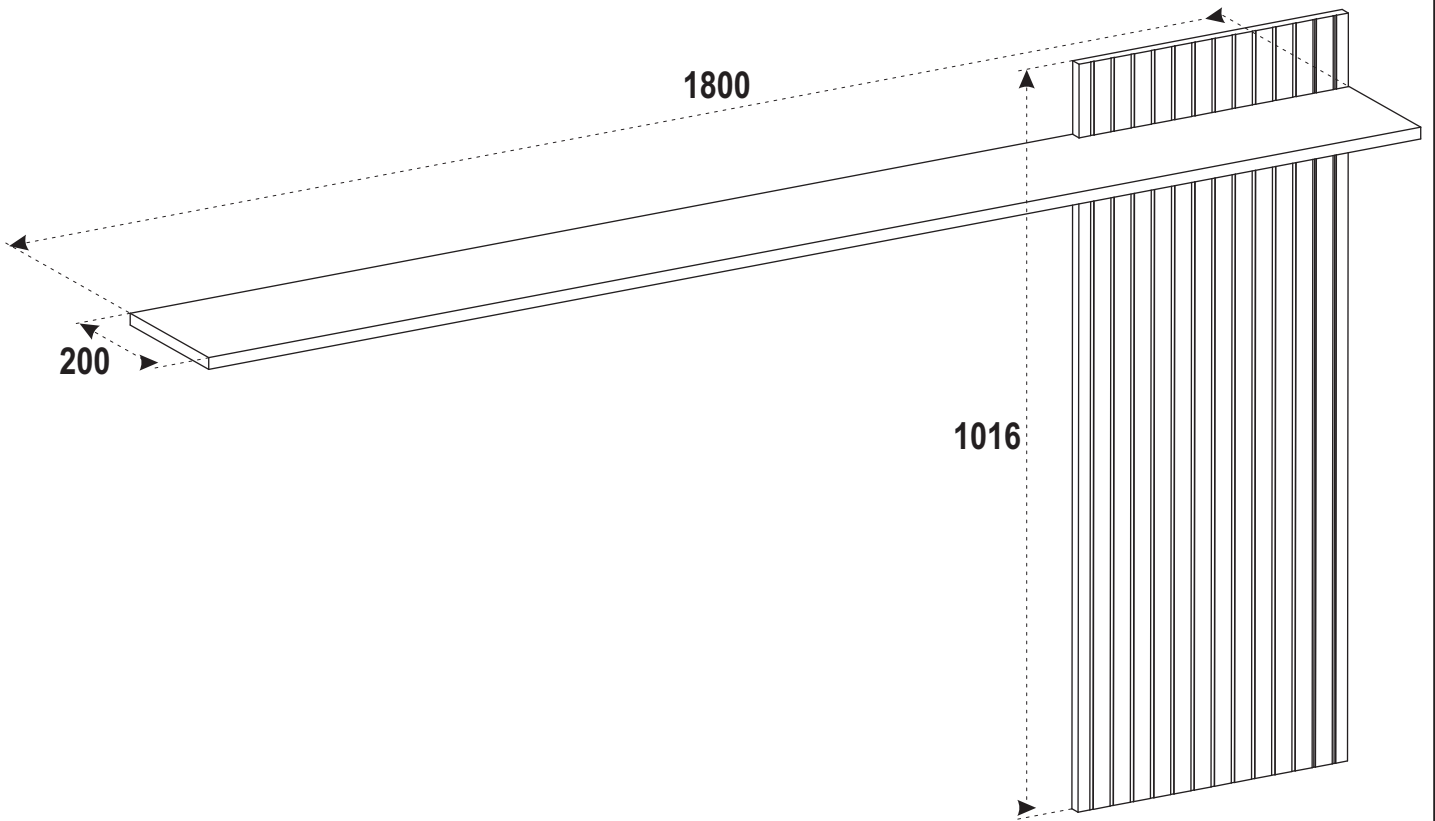


# SOLO \_\_\_ SL - TYP 70

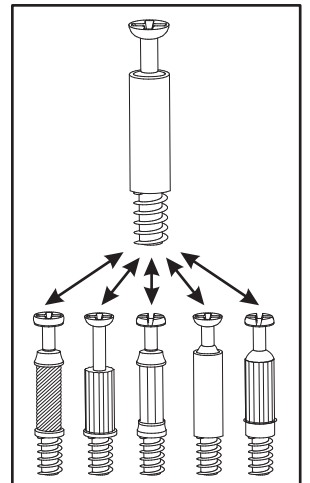
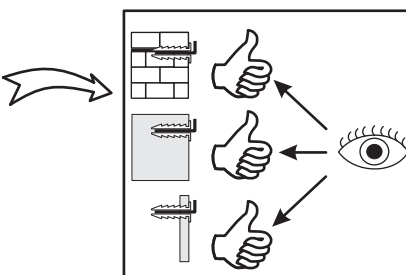
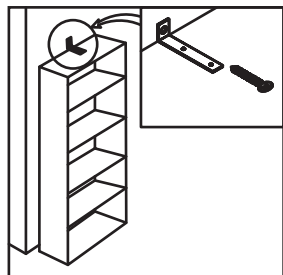
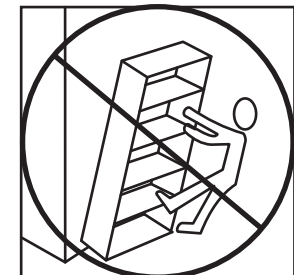
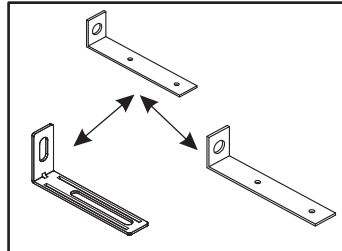
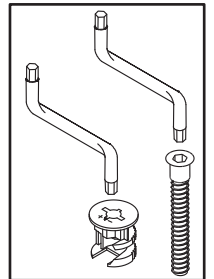
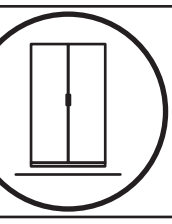
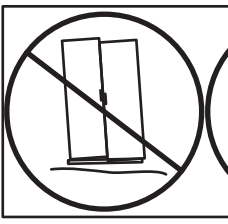
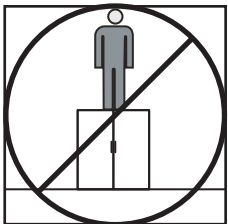
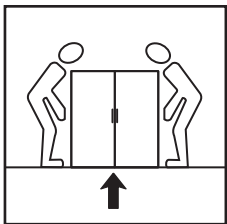
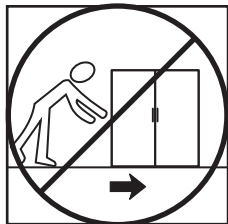
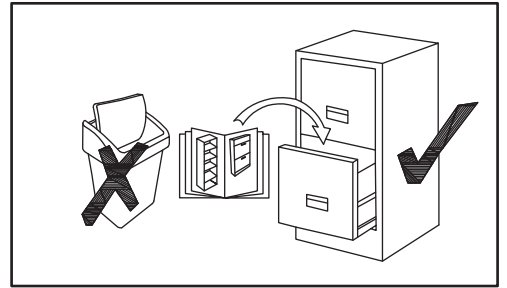
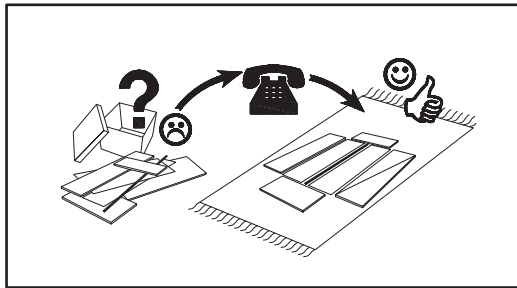
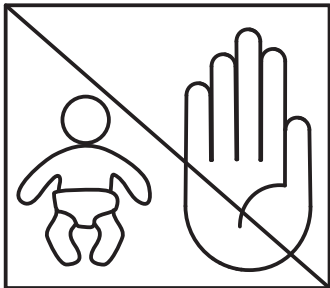
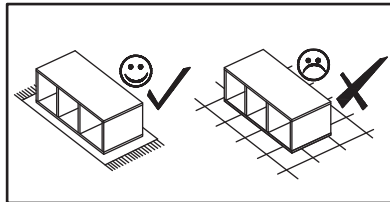
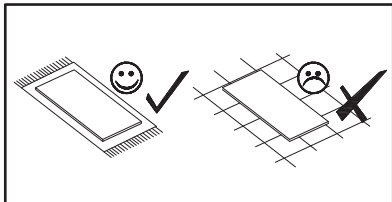
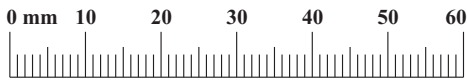
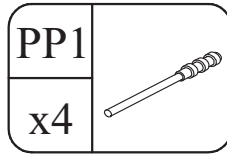
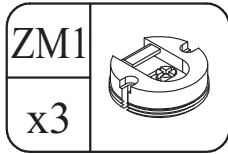
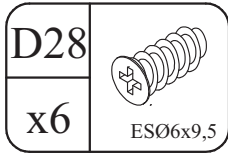
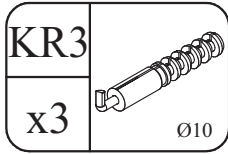
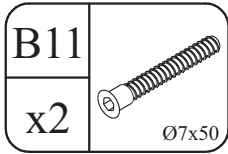


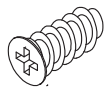
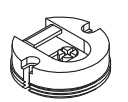
NO	Dim.			Col-No	Qty
1	900	400	16	2/2	1
2	100	400	16	2/2	1
3	1800	200	16	1/2	1

# SOLO \_\_\_ SL - TYP 70

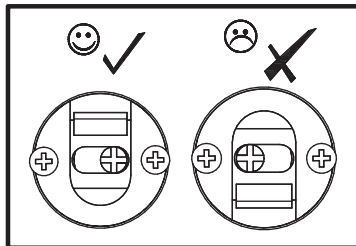
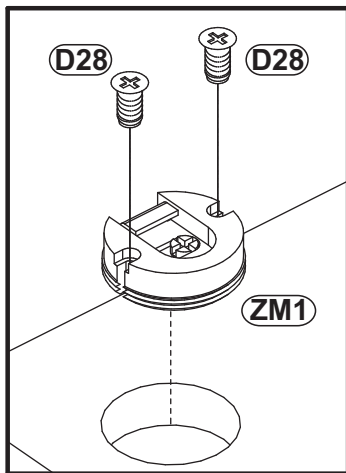
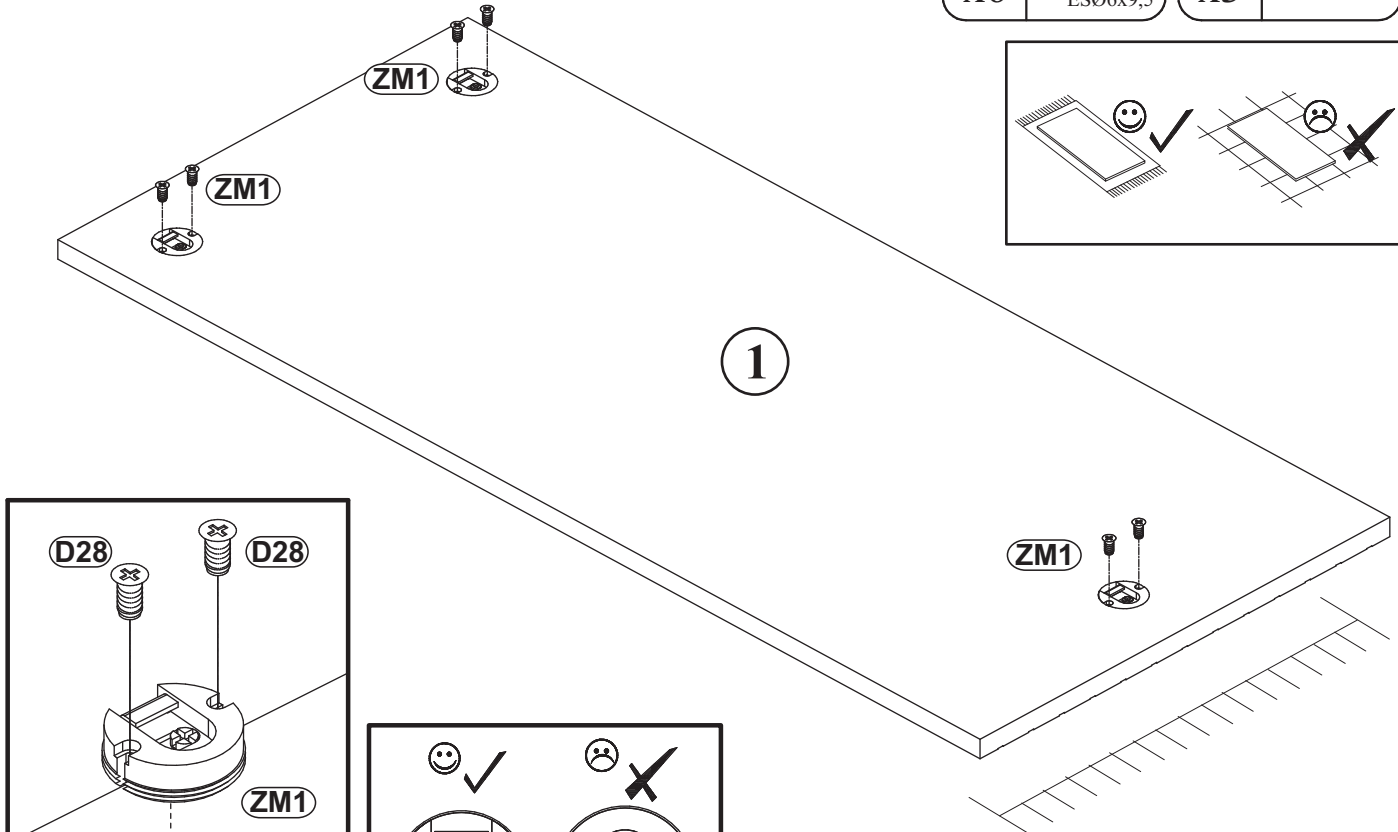
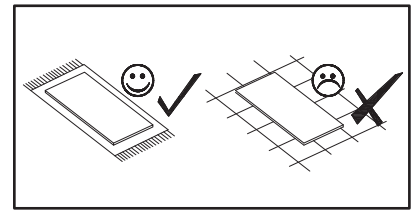


SOLO \_\_\_ SL - TYP 70

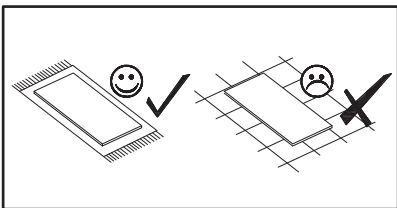



D28		ZM1	
x6	ESØ6x9,5	x3	

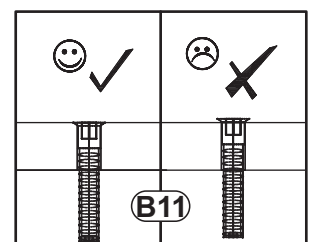
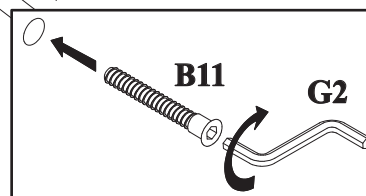
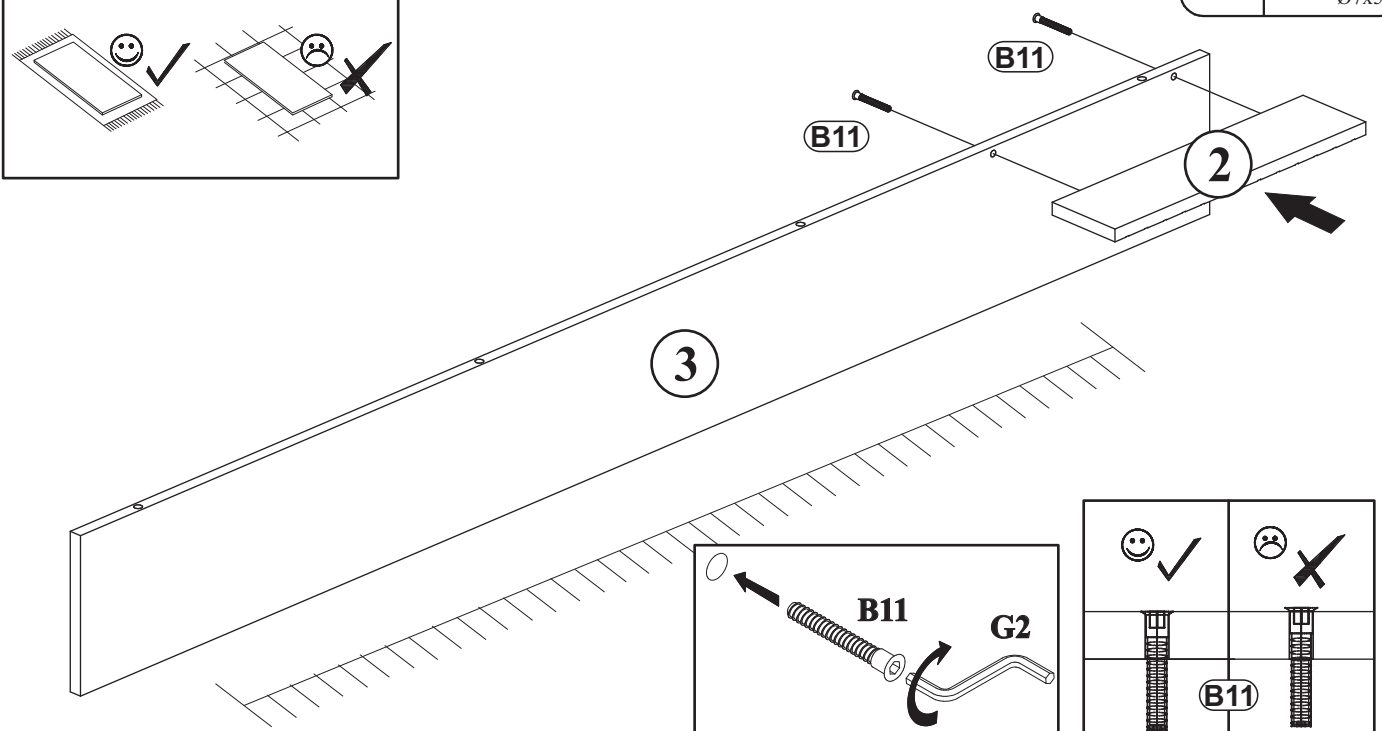
1



2

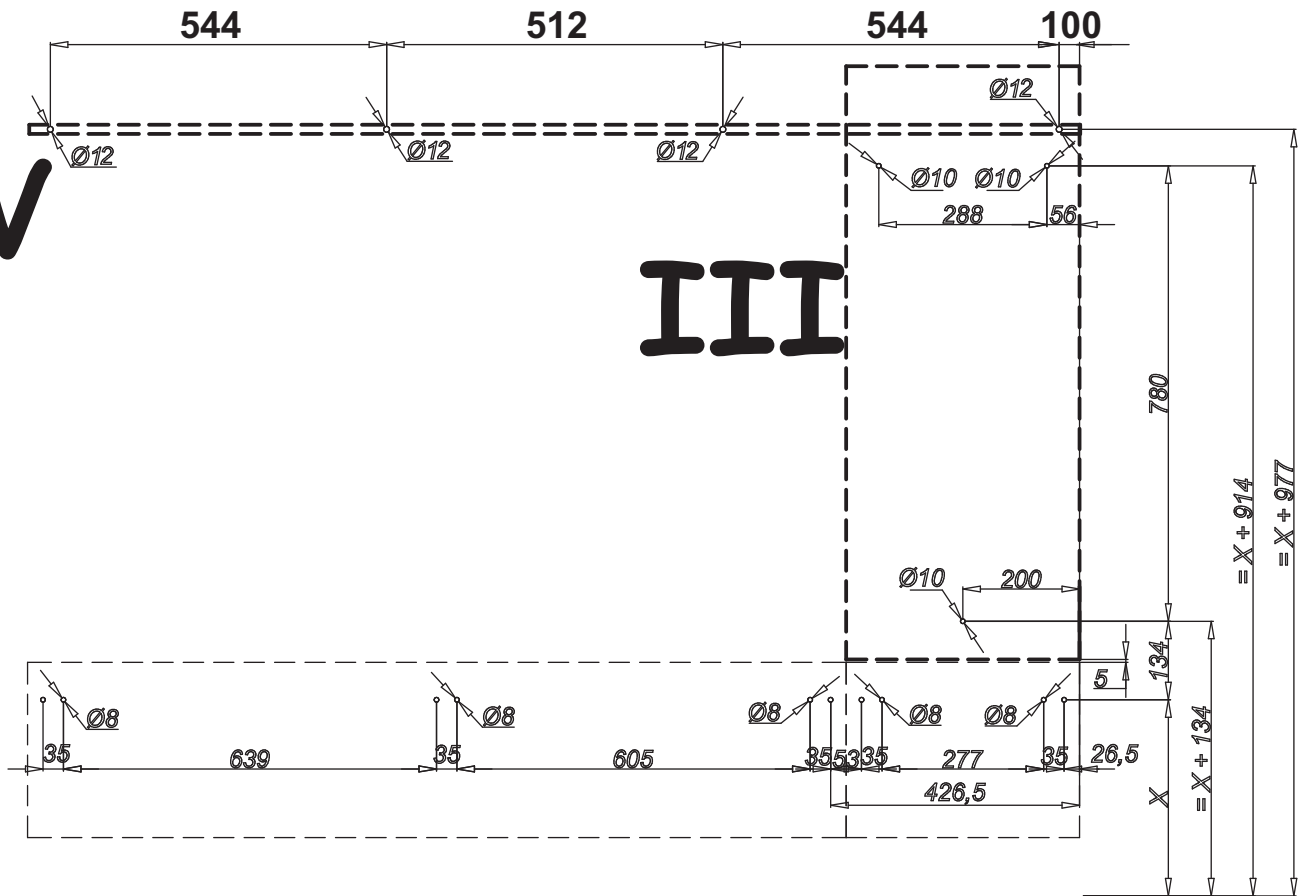


B11	
x2	Ø7x50



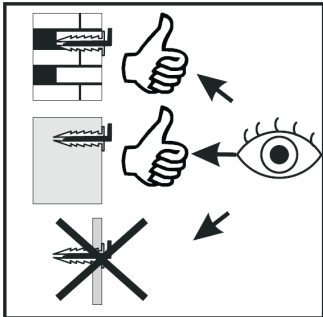
3

IV

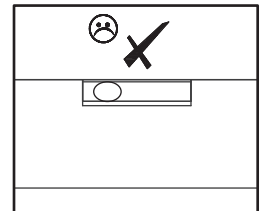
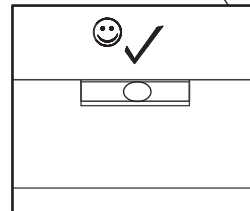
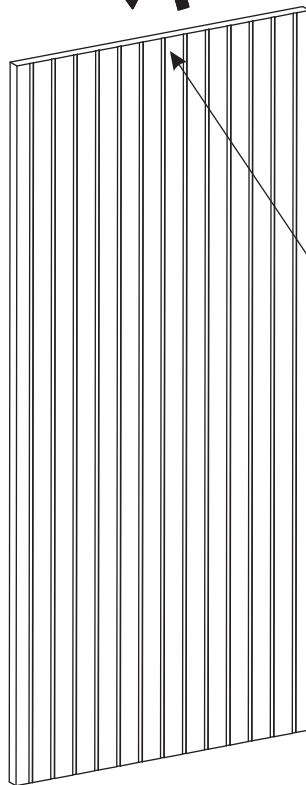
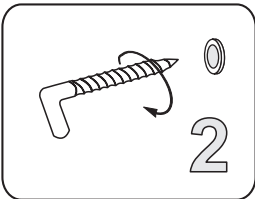
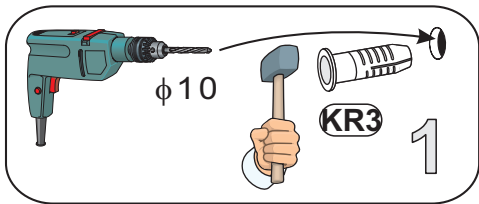
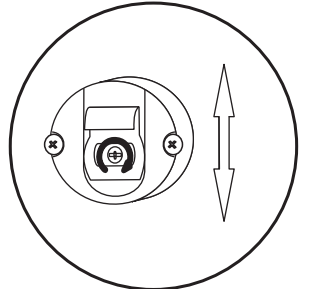
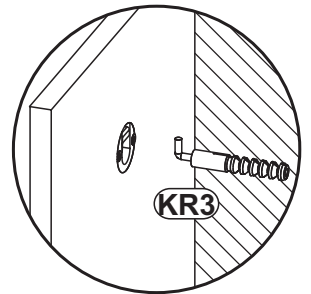
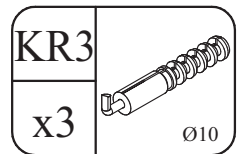


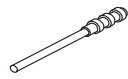
III

4

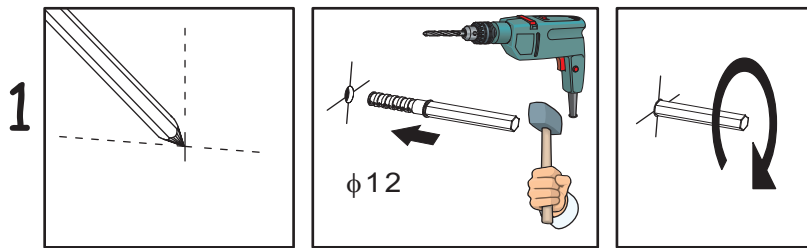


III



PP1	
x4	

5



# IV

