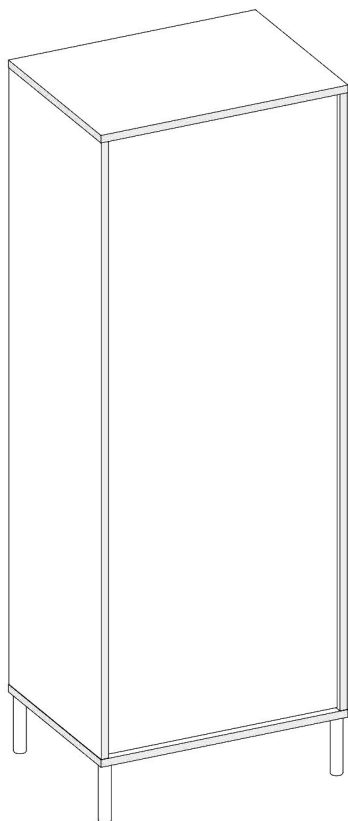


KAMARO\_W\_1DD\_2DK

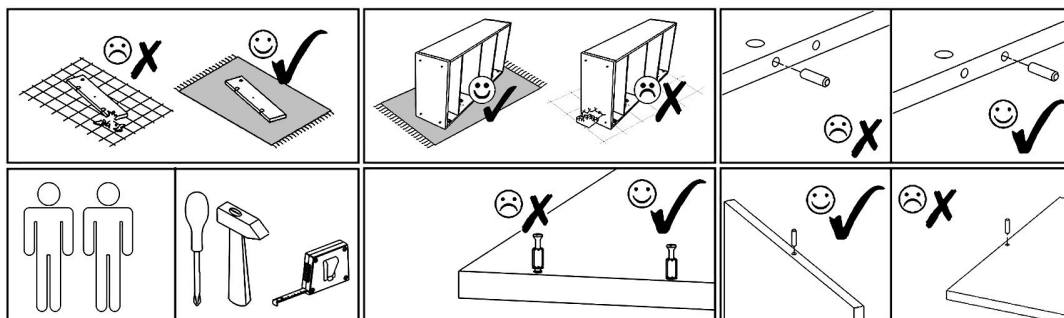
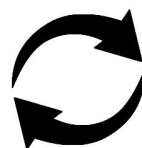
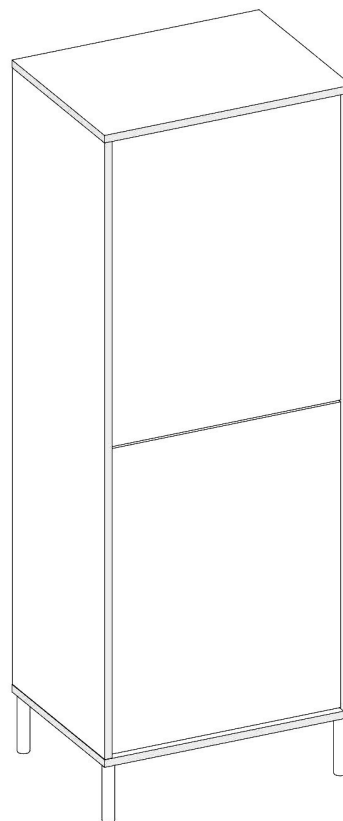
PRODUCTION DATE

PACKING CODE

1DD



2DK

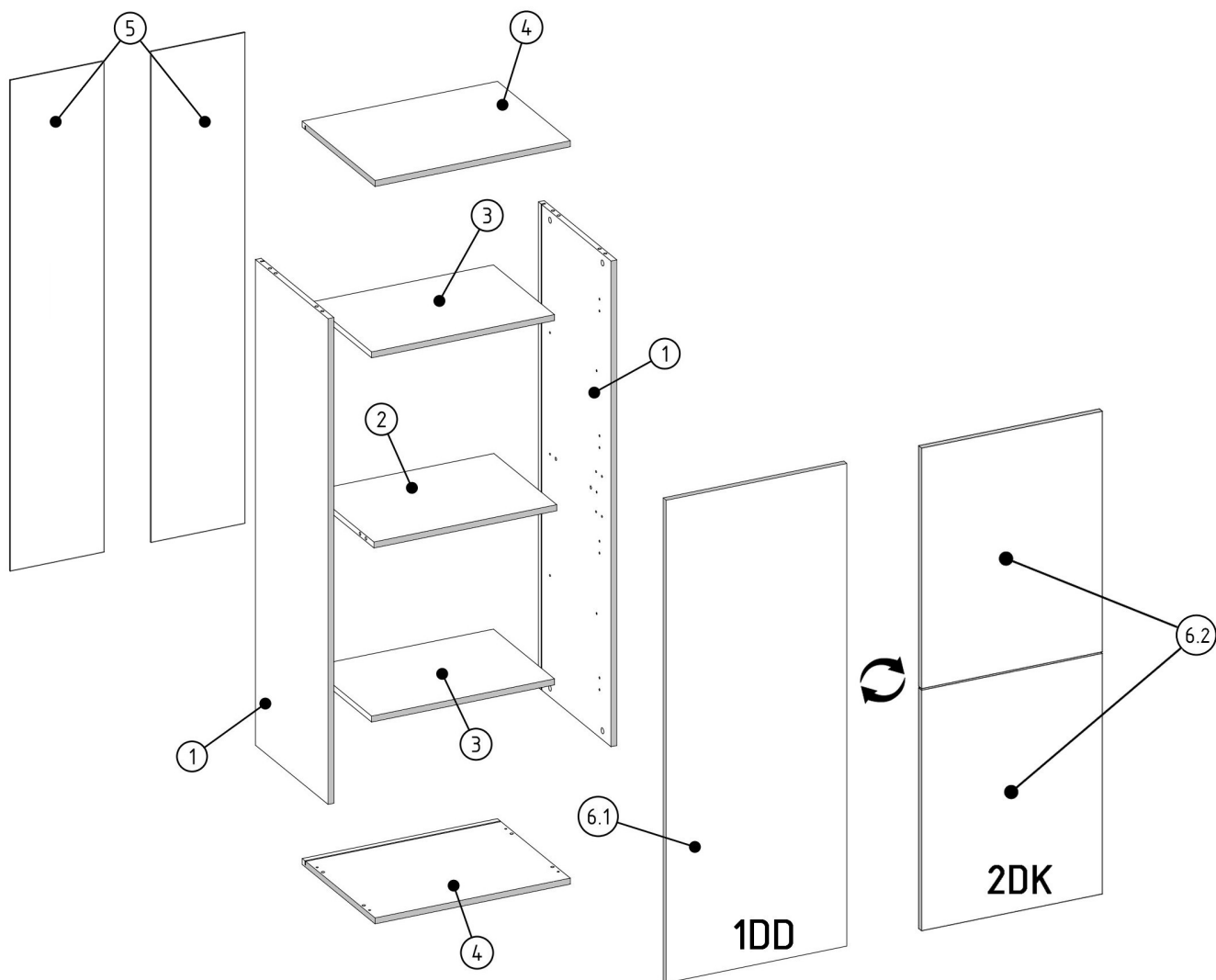


<b>T6</b>  H=135mm x4	<b>V30</b>  x8	<b>Z1</b>  x10	<b>V7</b>  x2	<b>V13</b>  x1	<b>B1</b>  K ø17/4mm x8	<b>B1</b>  G ø17/4mm x8	<b>B1</b>  S/A ø17/4mm x8
<b>A2</b>  ZW x4	<b>N1</b>  L=35mm x12	<b>M1</b>  12x15mm x12	<b>E1</b>  8x30mm x12	<b>R1</b>  6x8mm x4	<b>S1</b>  3,5x16mm x8	<b>S9</b>  4x16mm x12	<b>V16</b>  5x16mm x8



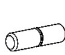
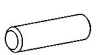
## KAMARO\_W\_1DD\_2DK

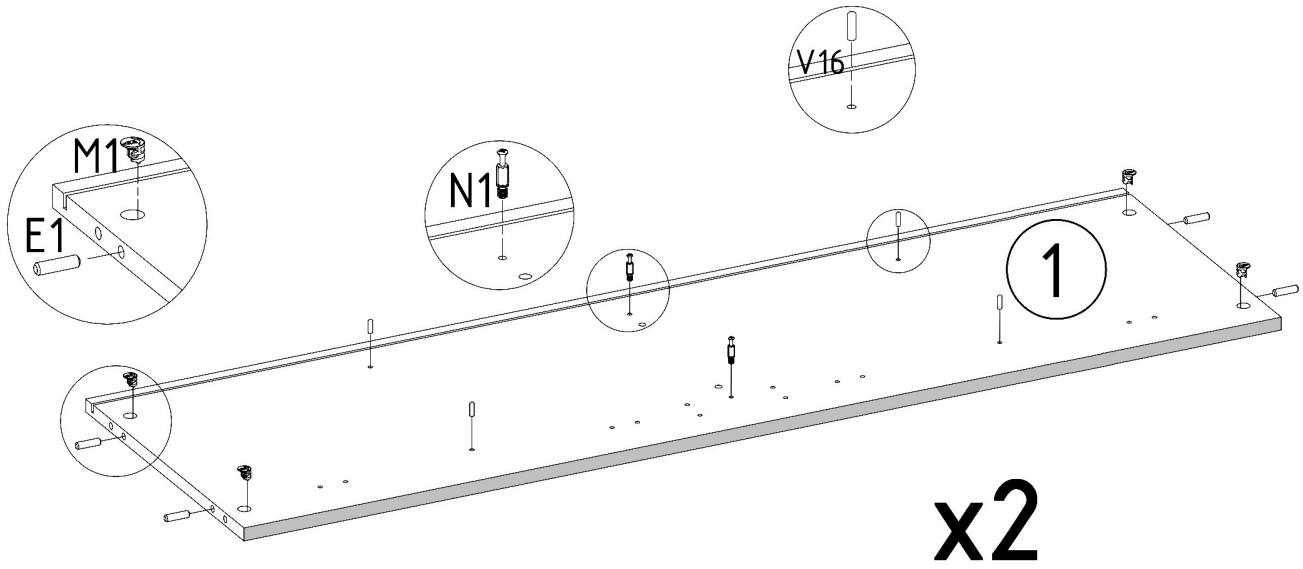
PRODUCTION DATE

PACKING CODE

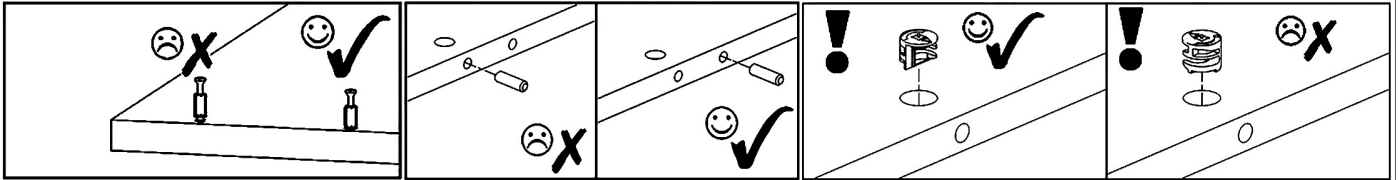



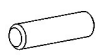
000773	6.2	2
000771	6.1	1
000767	5	2
000770	4	2
000768	3	2
000769	2	1
000772	1	2
ID	NUMBER	QUANTITY

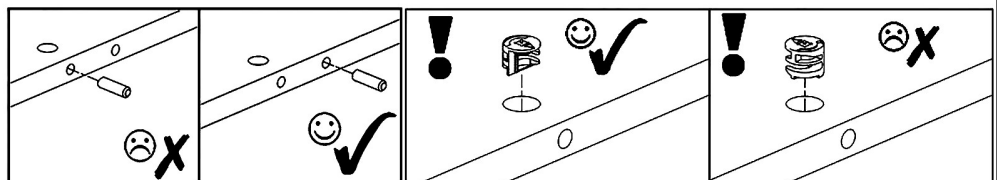
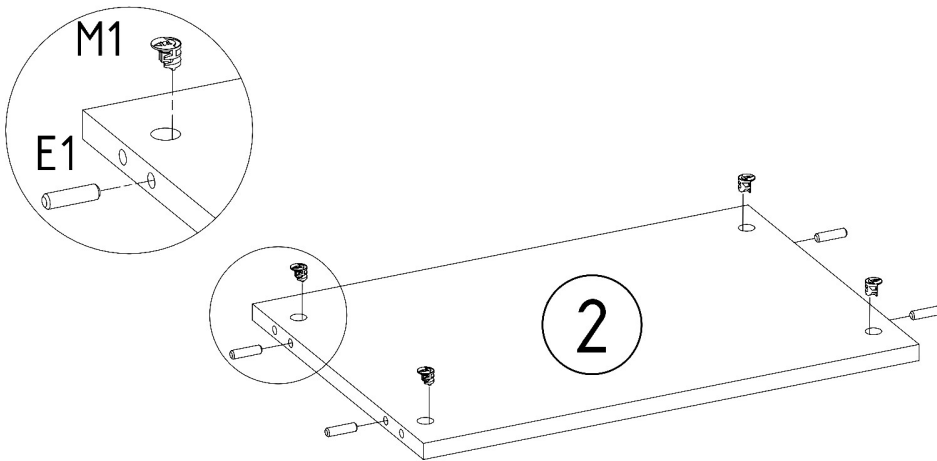
<p><b>N1</b></p>  <p>L=35mm <b>X4</b></p>	<p><b>M1</b></p>  <p>12x15mm <b>X8</b></p>	<p><b>V16</b></p>  <p>5x16mm <b>X8</b></p>	<p><b>E1</b></p>  <p>8x30mm <b>X8</b></p>
--	--	--	---

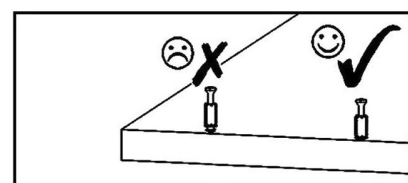
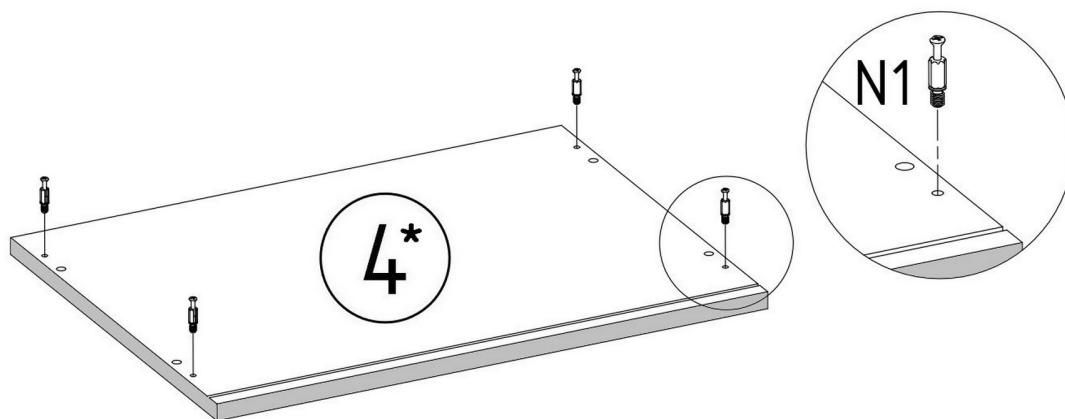
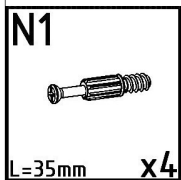
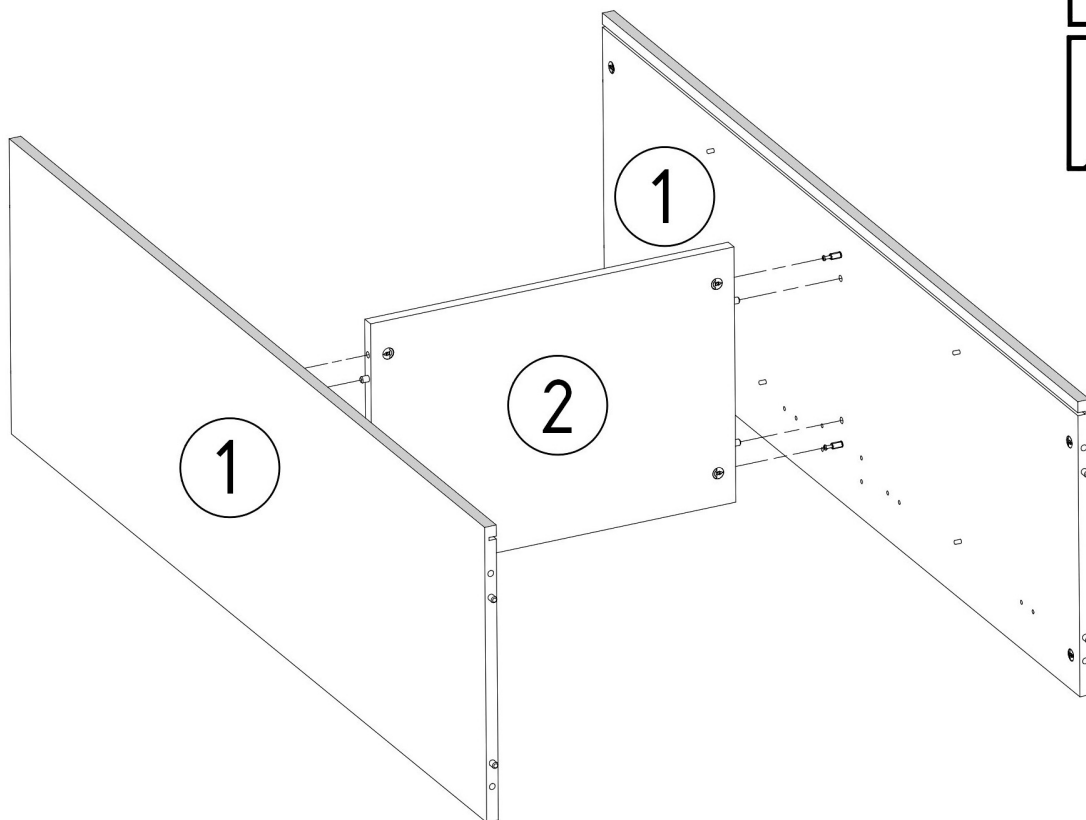


**x2**



<p><b>M1</b></p>  <p>12x15mm <b>X4</b></p>	<p><b>E1</b></p>  <p>8x30mm <b>X4</b></p>
--	--



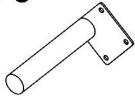


S9



4x16mm x12

T6

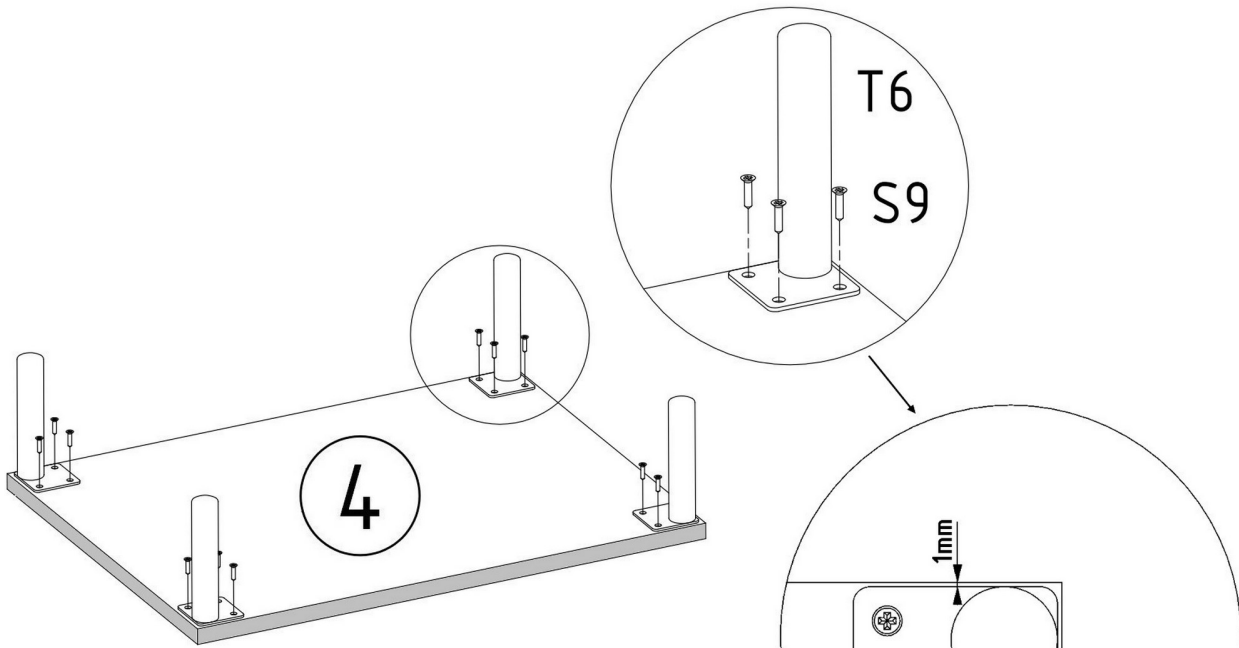


H=135mm x4

N1



L=35mm x4



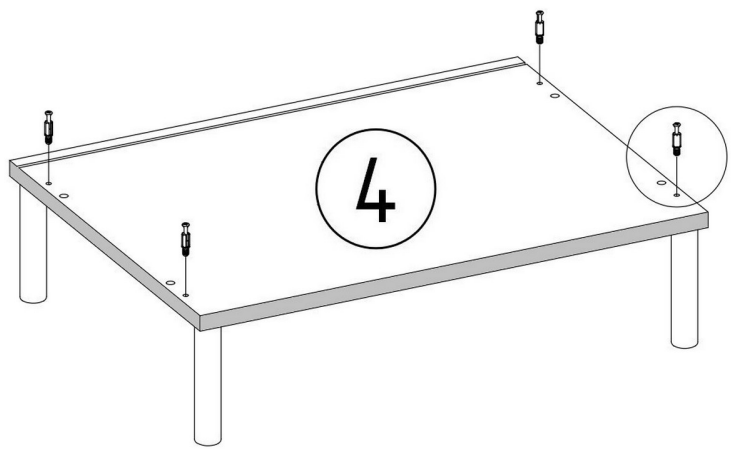
4

T6

S9

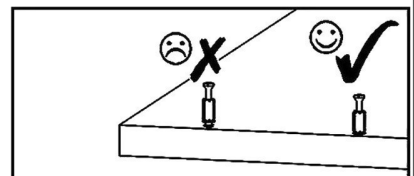
1mm

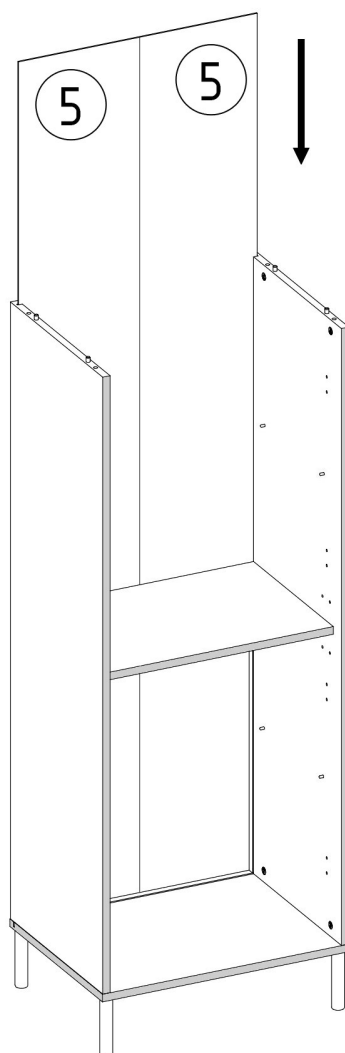
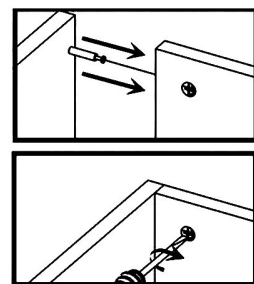
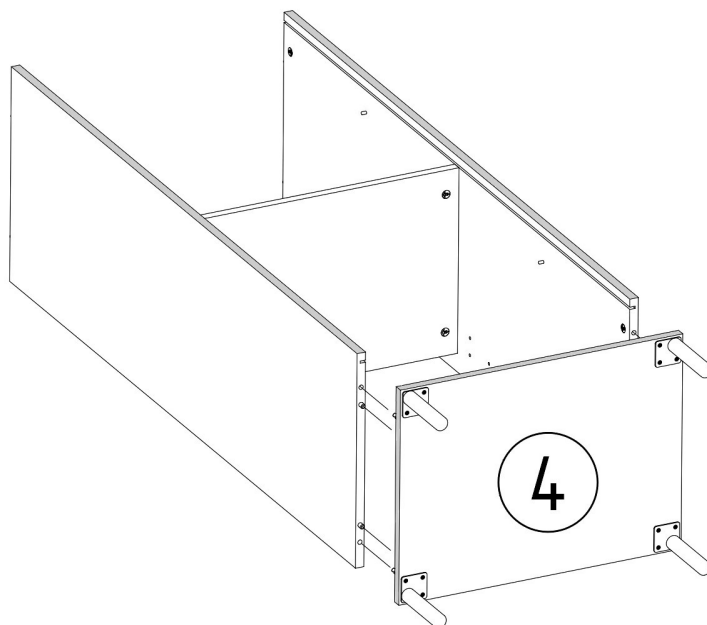
1mm

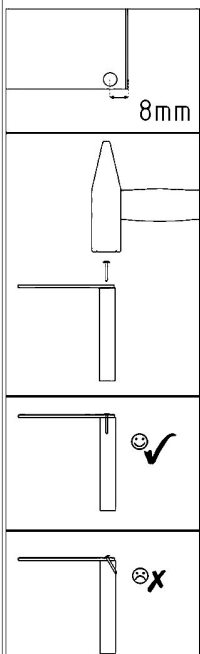
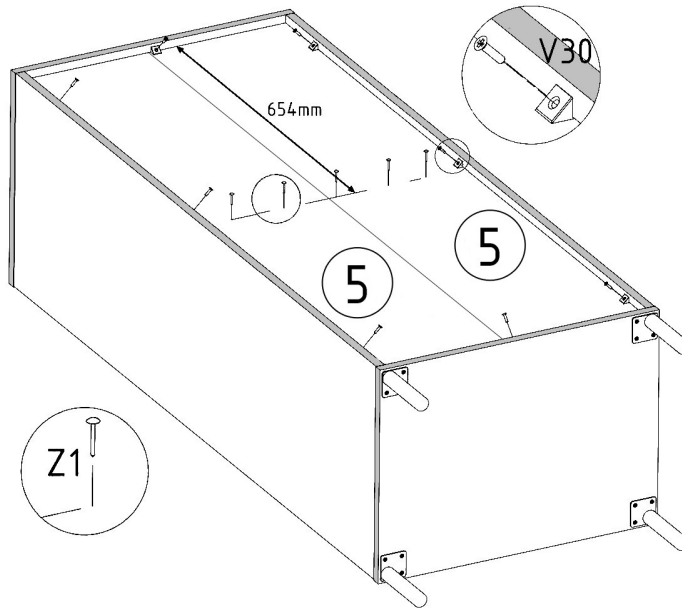
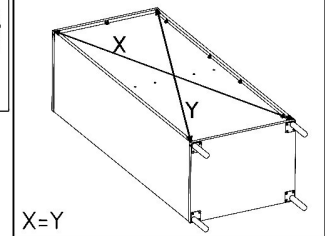
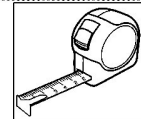
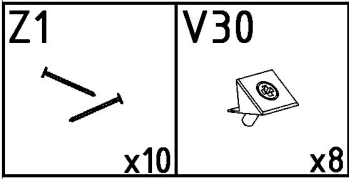
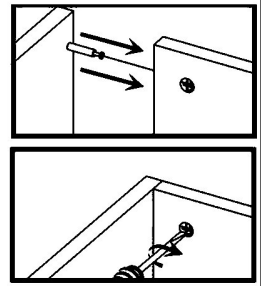
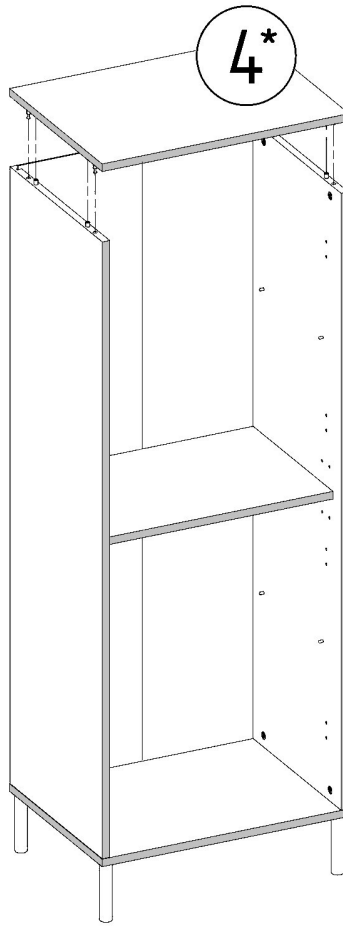




4

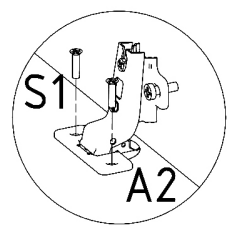
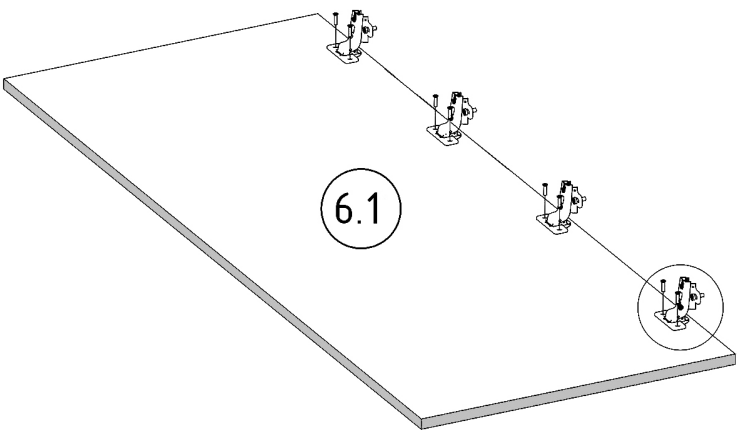
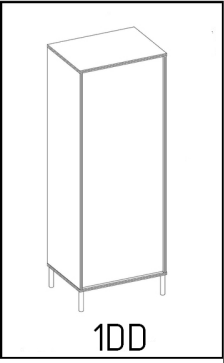
N1





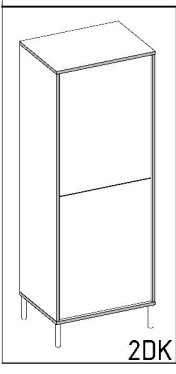
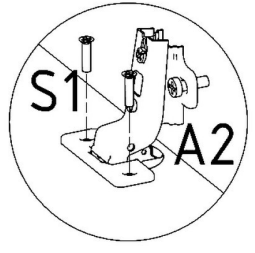
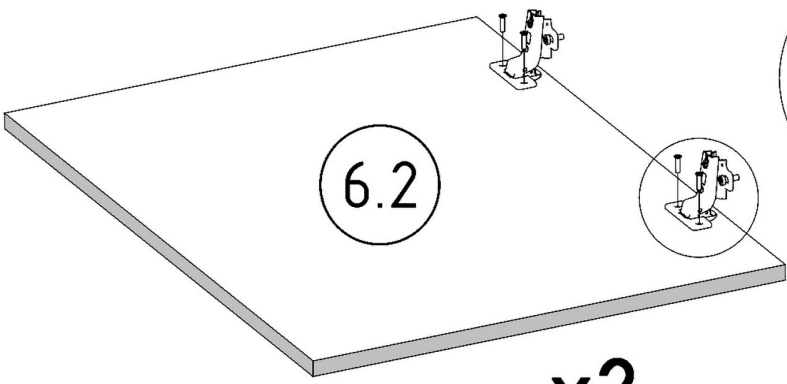




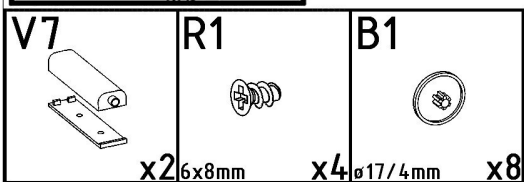
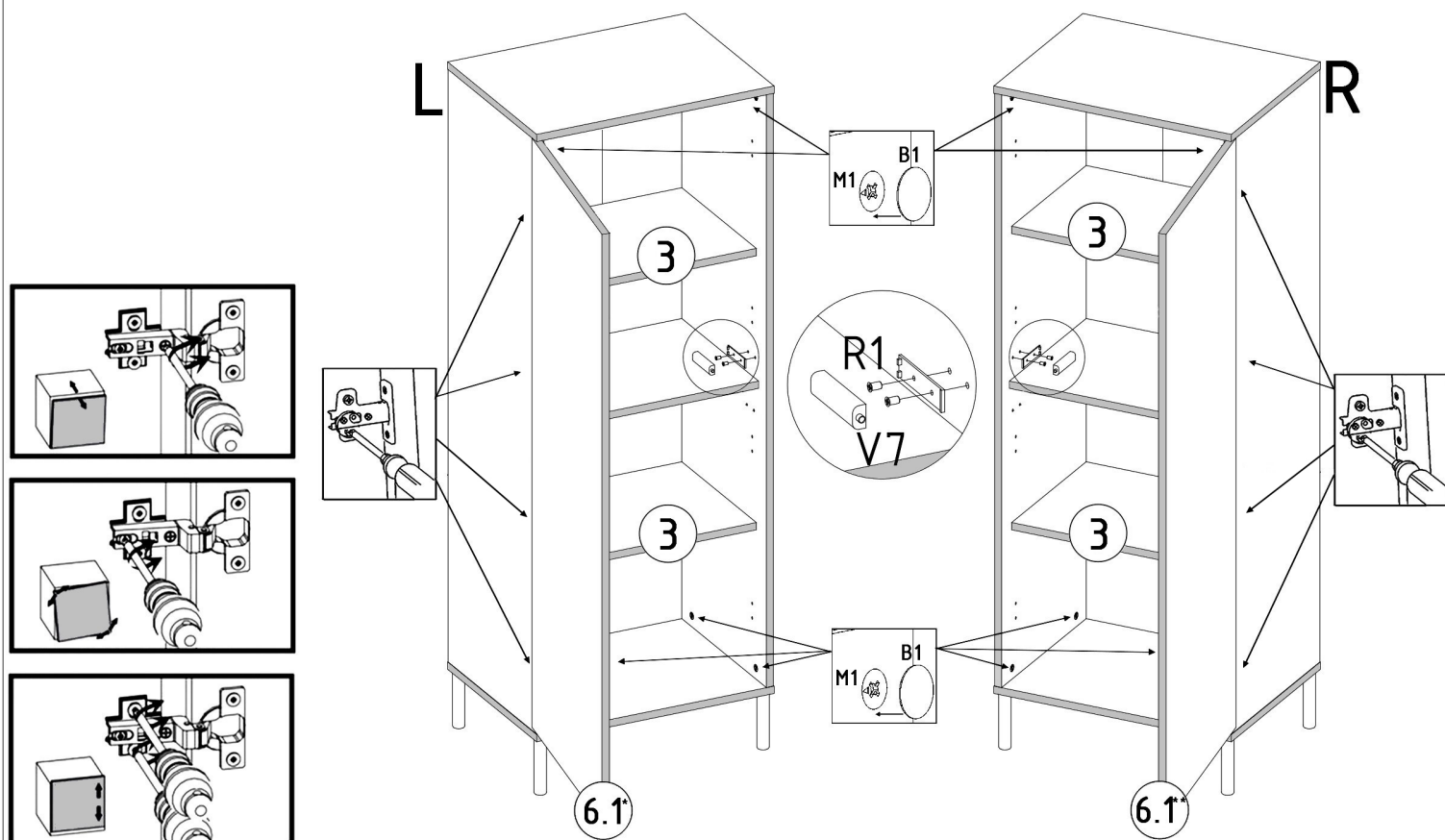
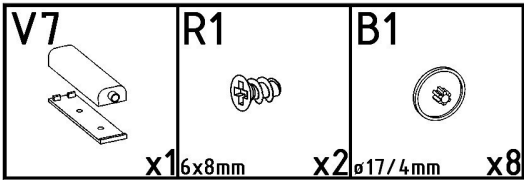
<b>A2</b>  ZW	<b>S1</b>  x4 3,5x16mm x8
---	--



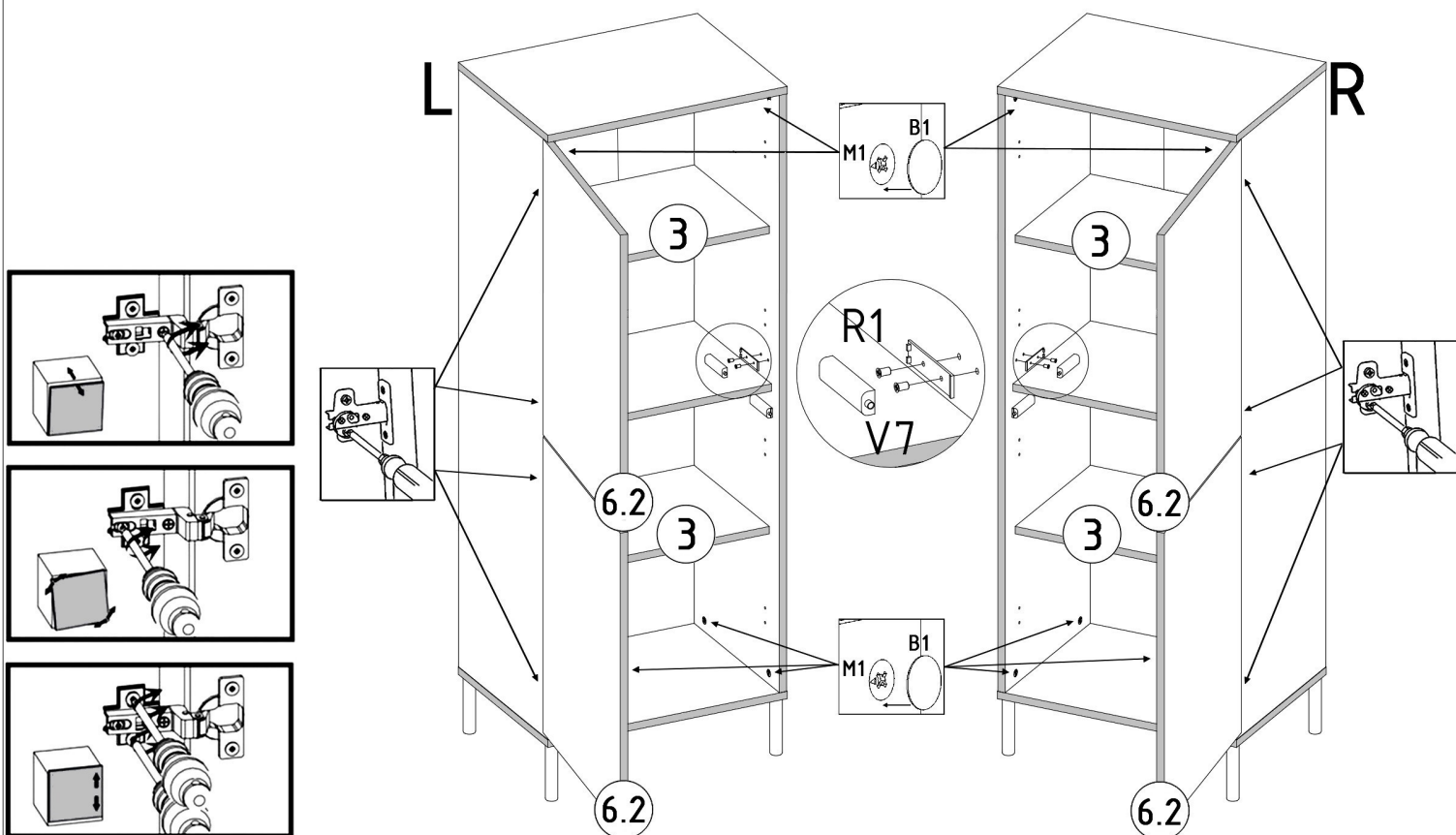
<b>A2</b>  ZW	<b>S1</b>  x4 3,5x16mm x8
---	--

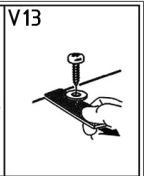
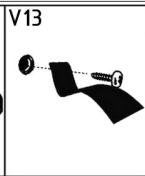
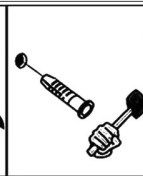
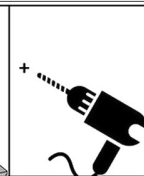
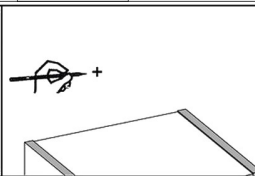


1DD

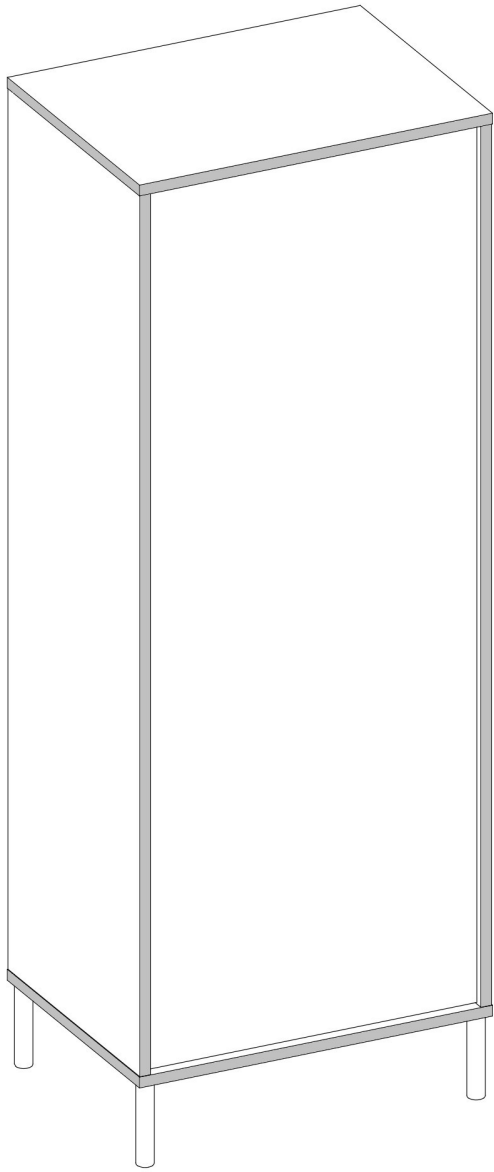


2DK





1DD



2DK

