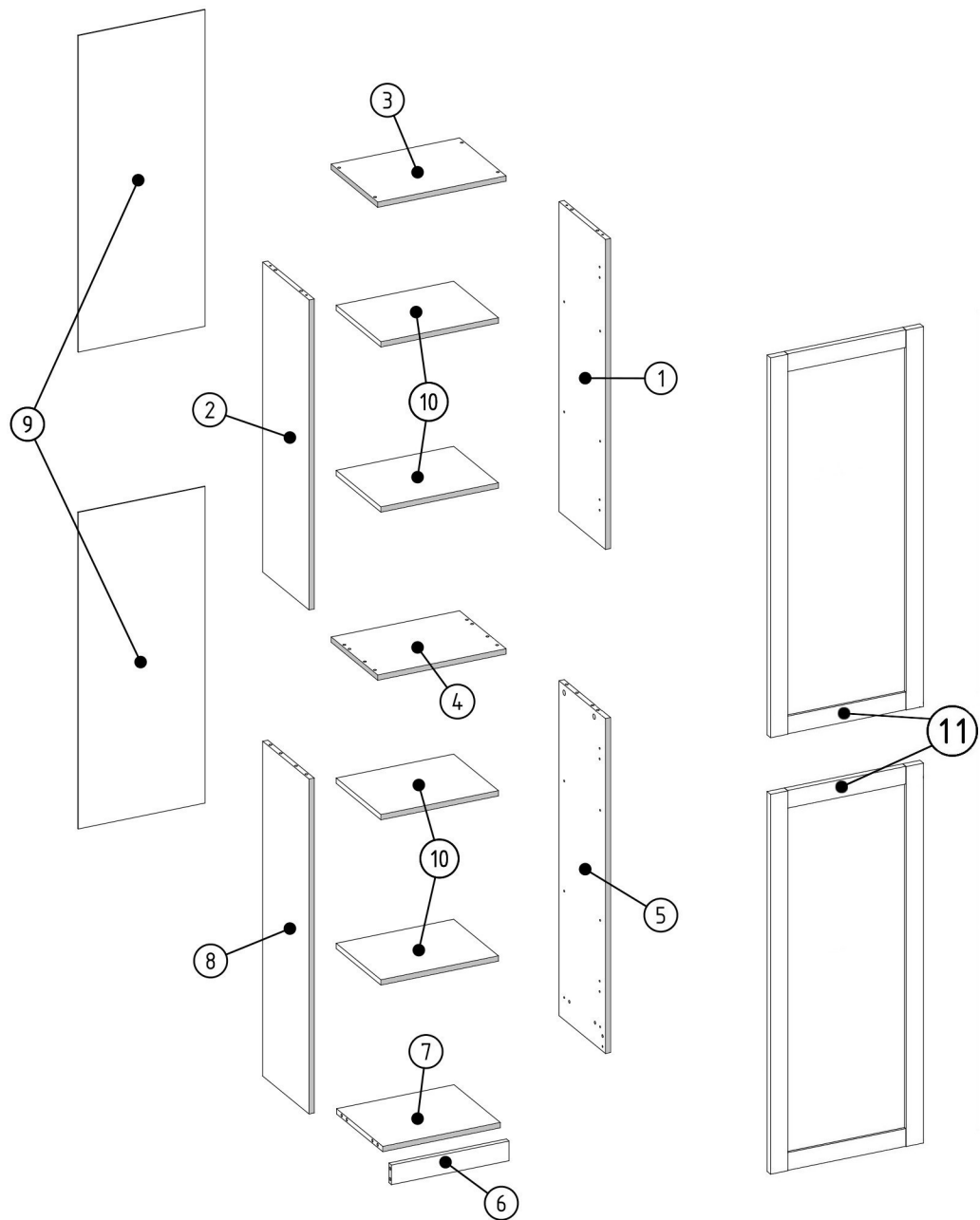





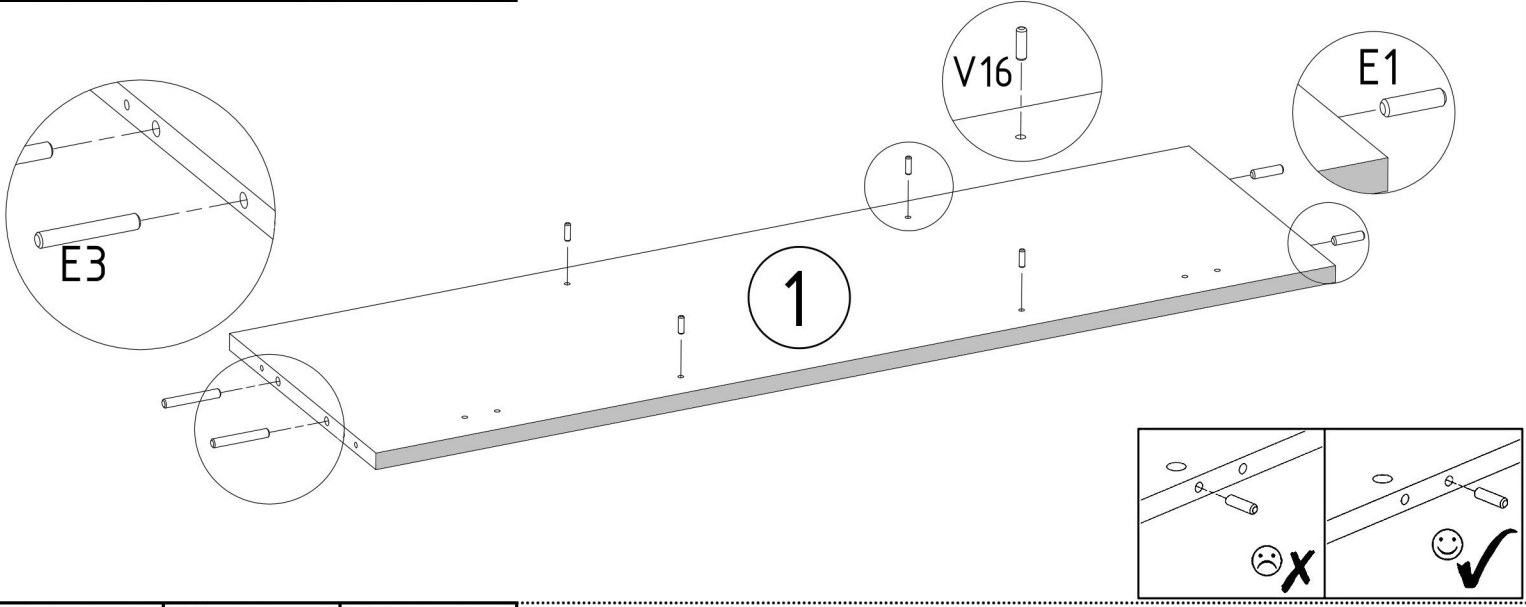
A1 ZP x2	S1 3,5x16mm x10	U2 x2	Z1 x80	B1 B σ17/4-5mm x4	B1 CZ σ17/4-5mm x4	V15 x10	E3 8x50mm x4
N1 L=35mm x10	M1 12x15mm x10	E1 8x30mm x10	V16 5x16mm x16	T1 x4	V18 x1	F1 7x50mm x8	F3 x1

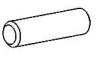




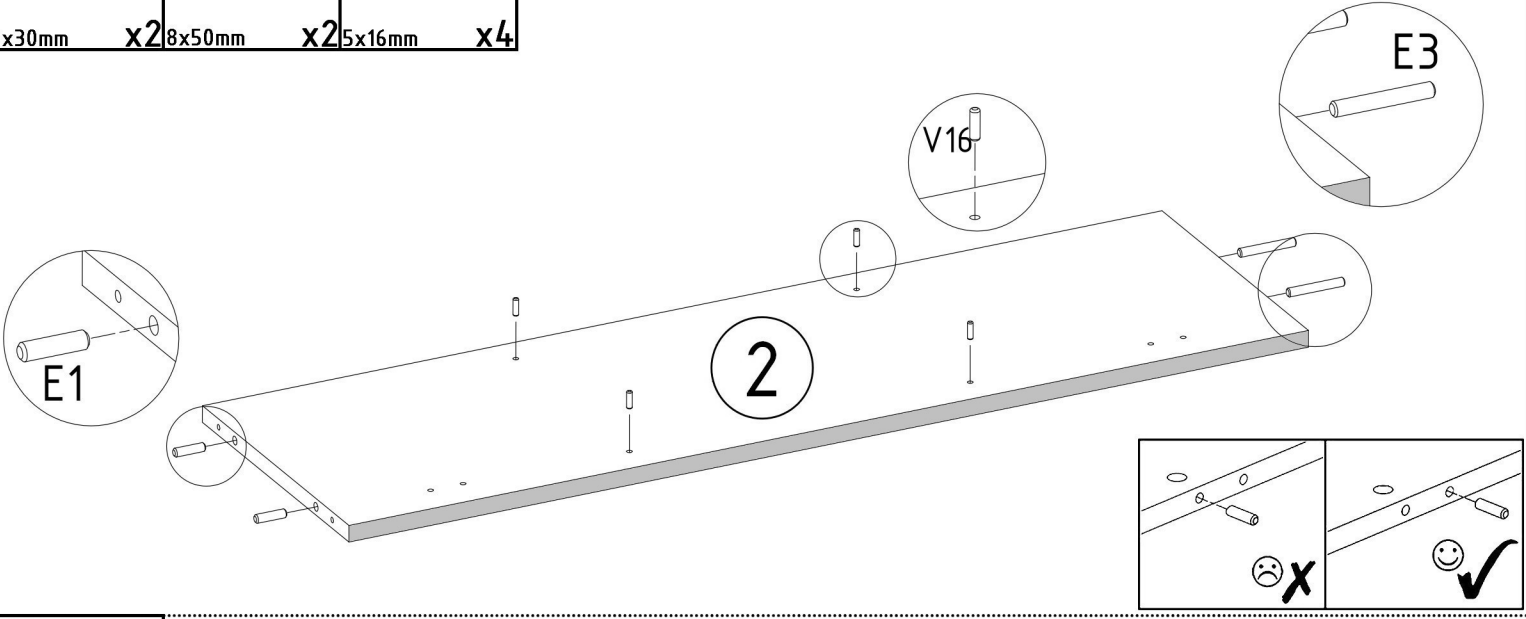
1	x	1
2	x	1
3	x	1
4	x	1
5	x	1
6	x	1
7	x	1
8	x	1


9	x	2
10	x	4
11	x	2

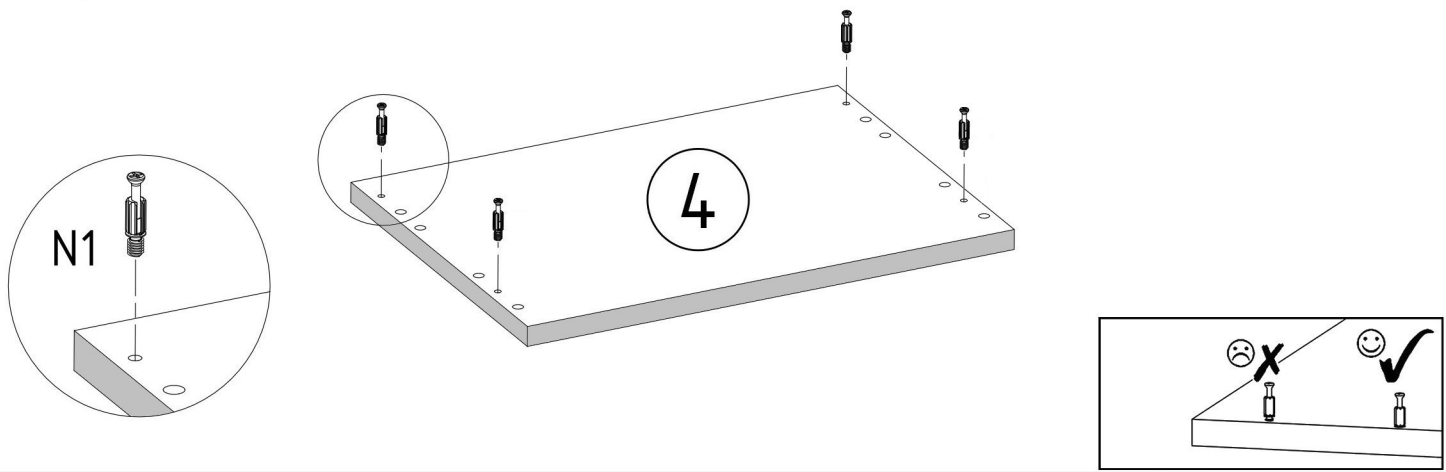
E1  8x30mm x2	E3  8x50mm x2	V16  5x16mm x4
---	--	---

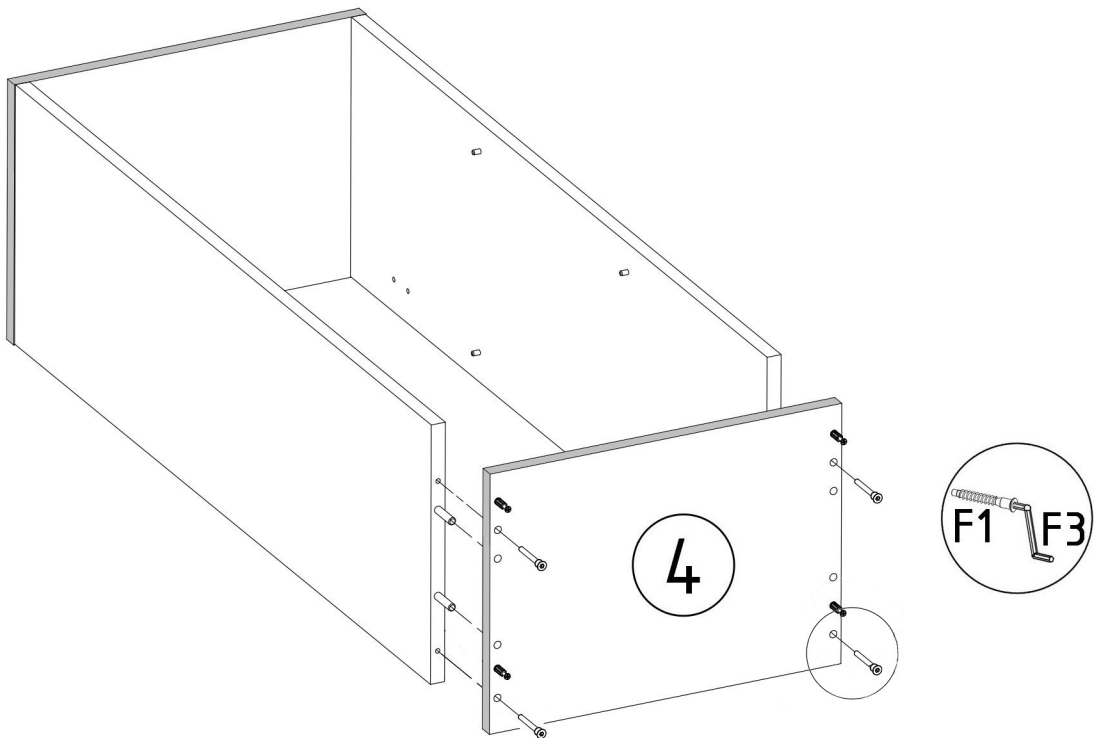
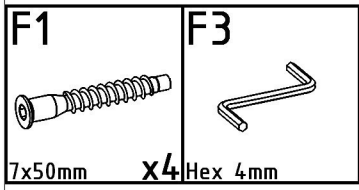
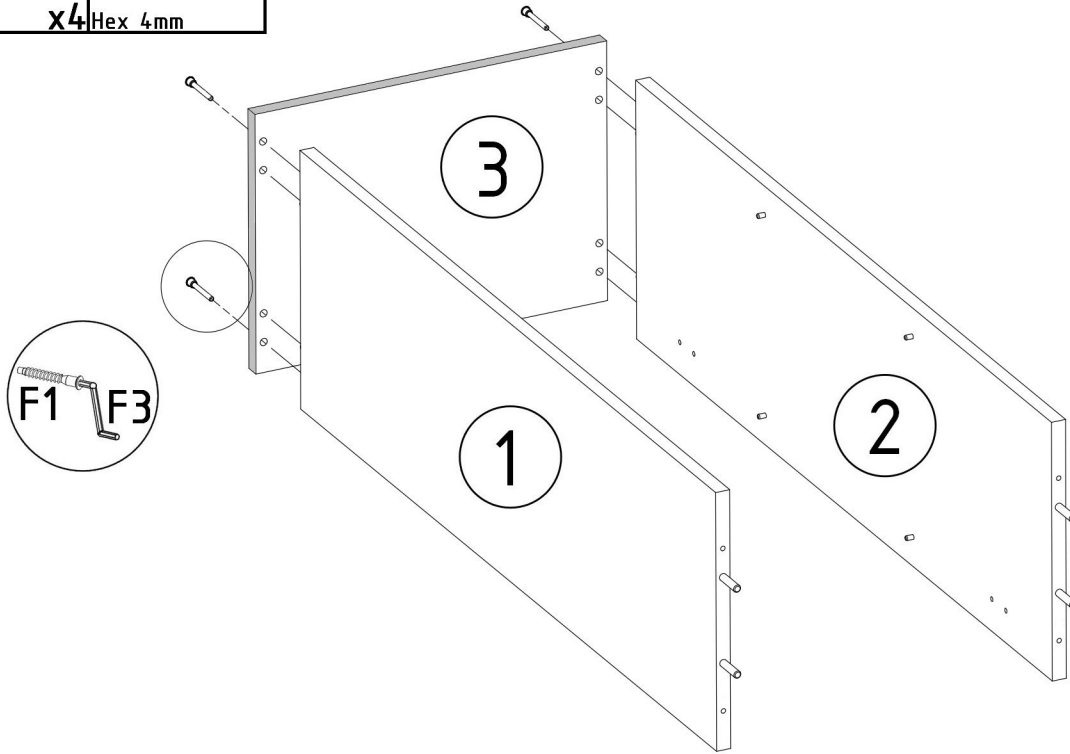
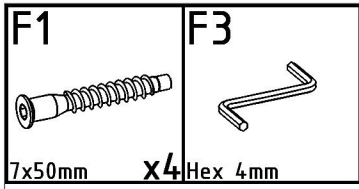






E1  8x30mm x2	E3  8x50mm x2	V16  5x16mm x4
---	--	---

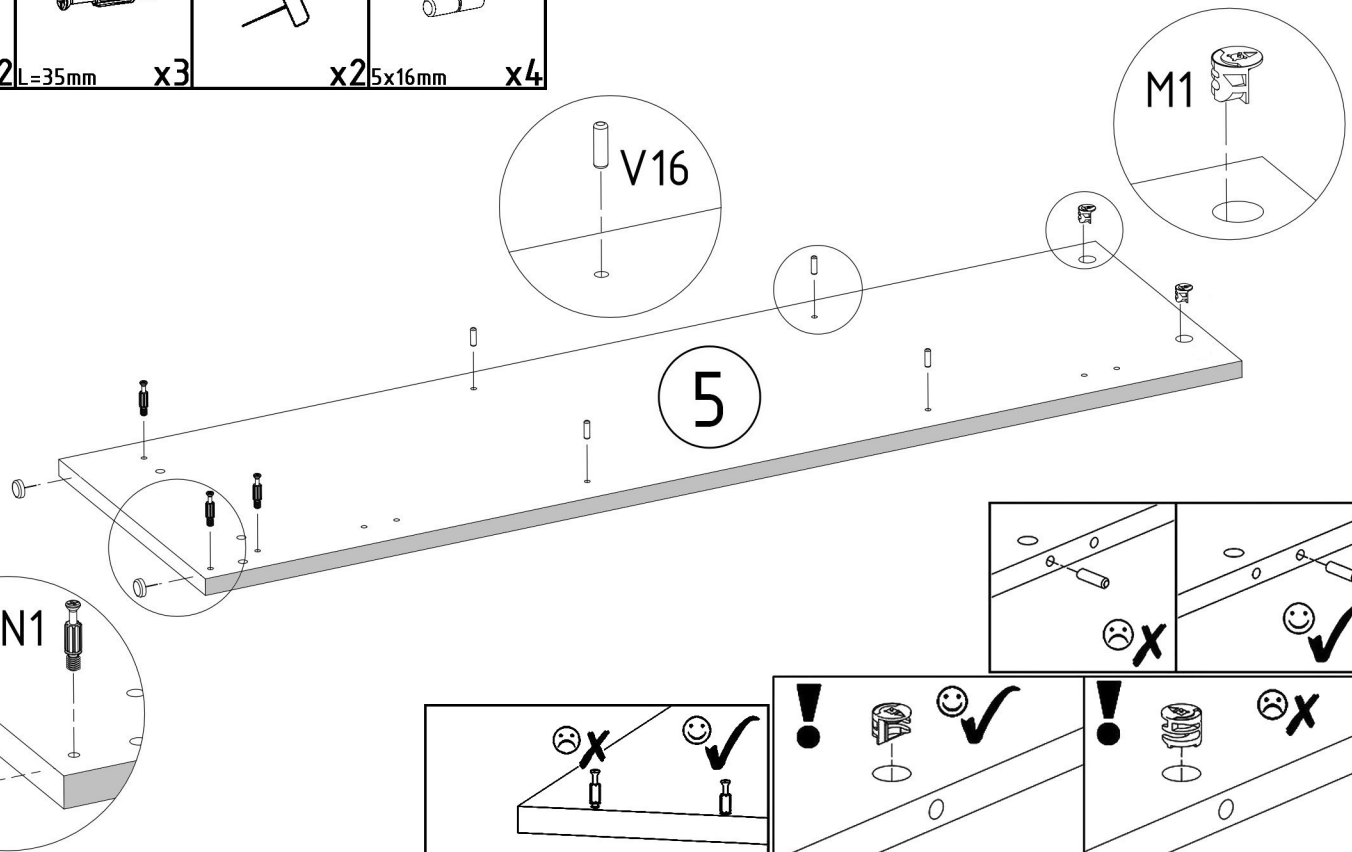



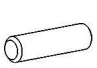
N1  L=35mm x4

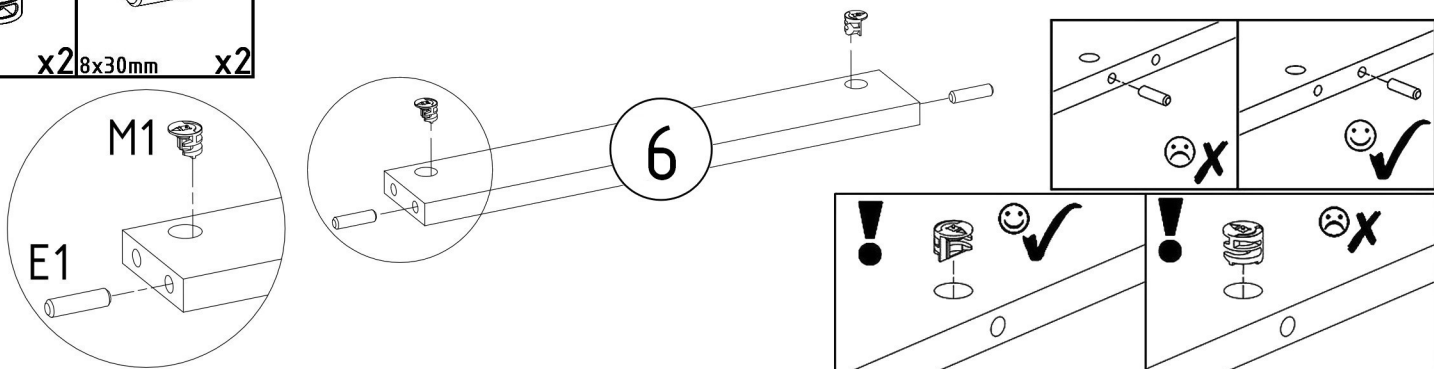






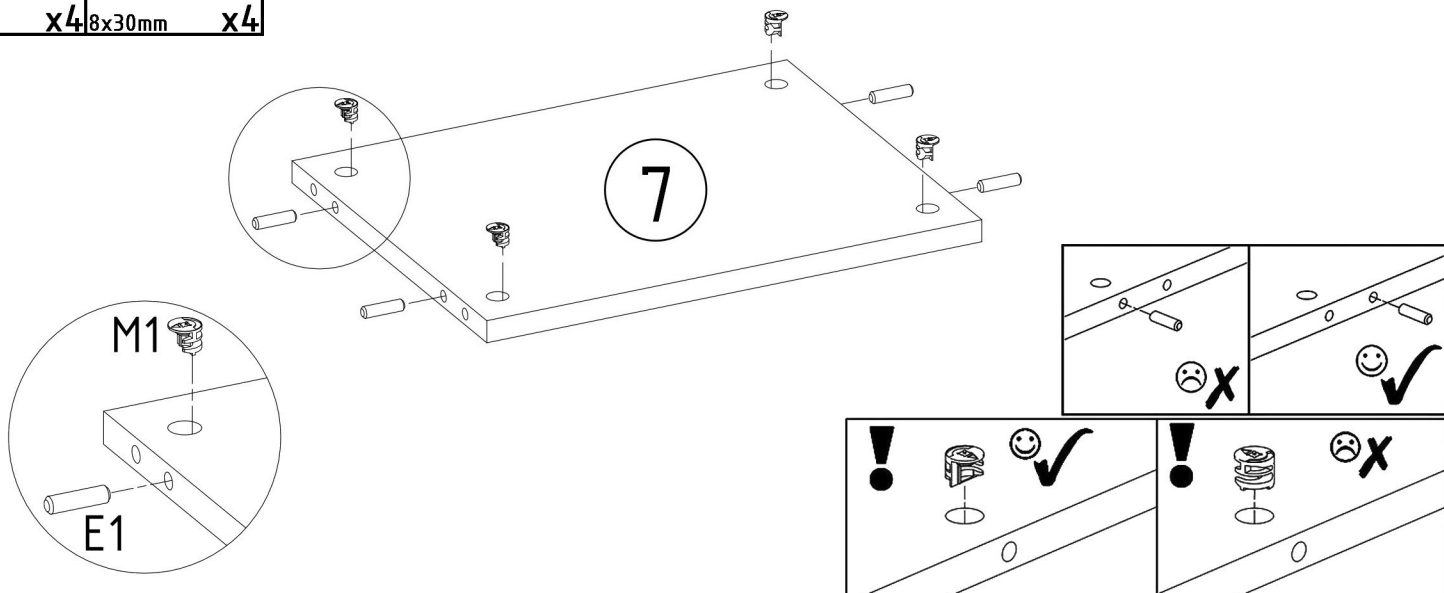
M1  12x15mm x2	N1  L=35mm x3	T1  x3	V16  5x16mm x4
---	---	--	--







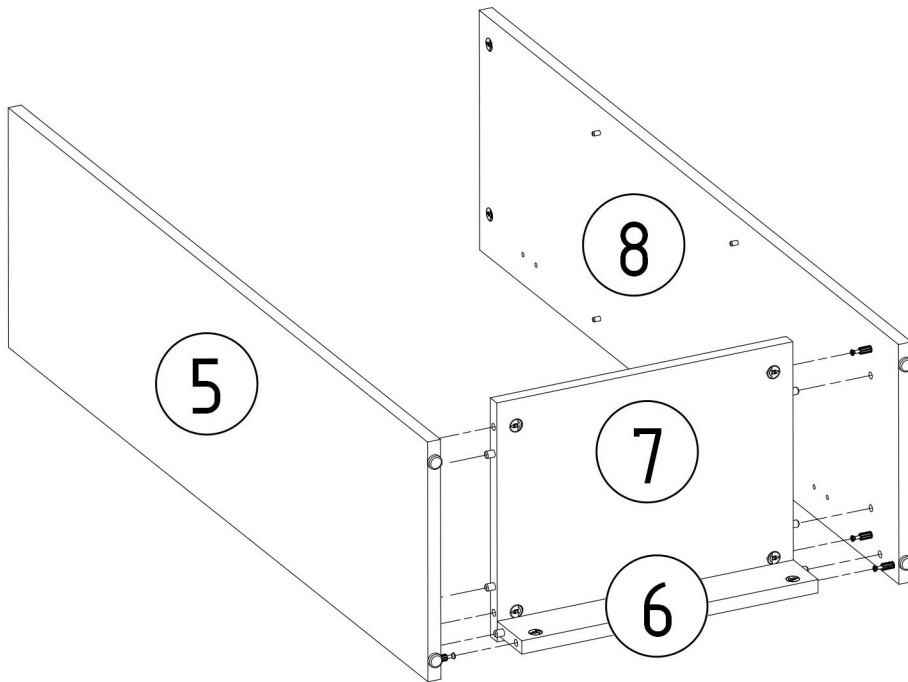
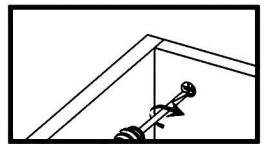
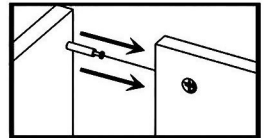
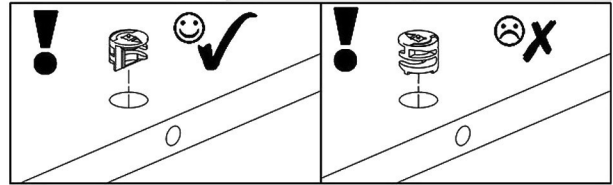
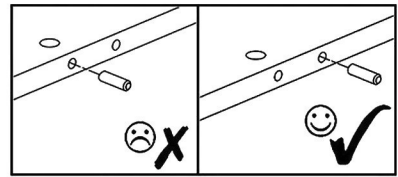
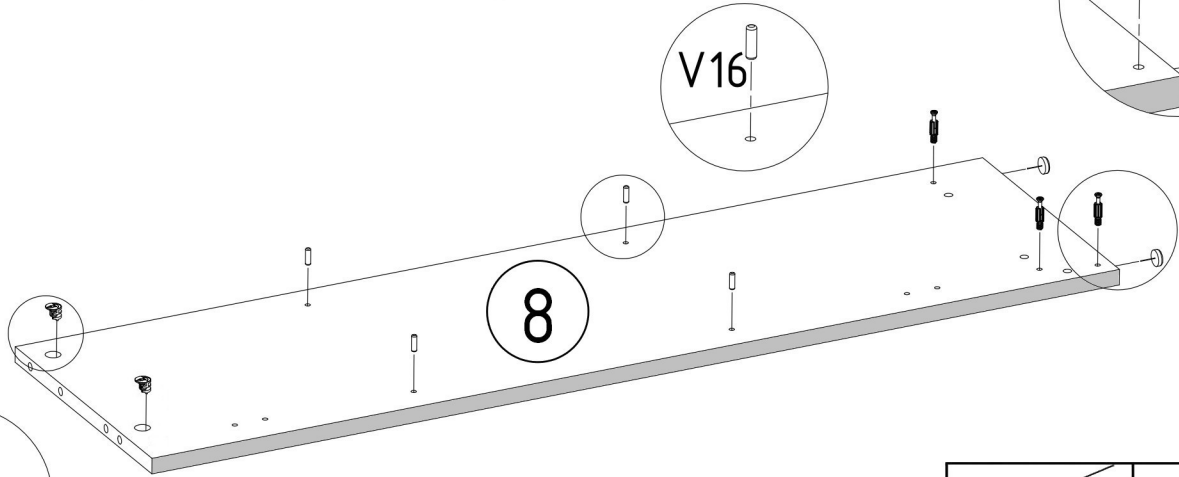
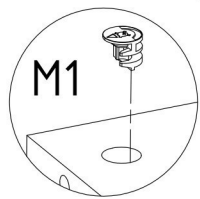
M1  12x15mm x2	E1  8x30mm x2
---	---

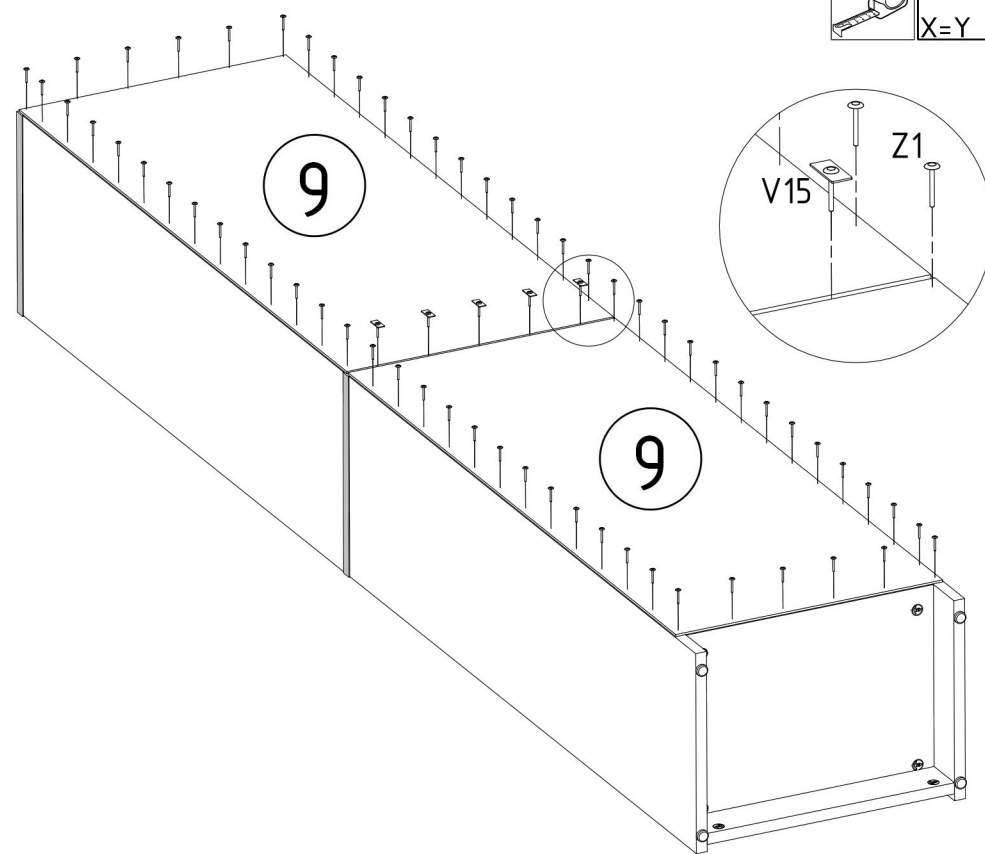
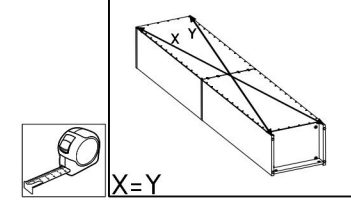
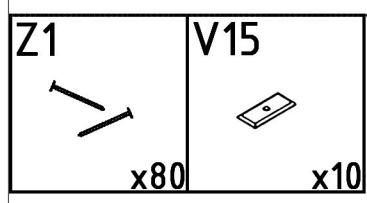
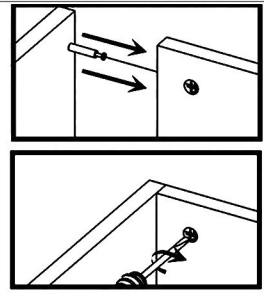
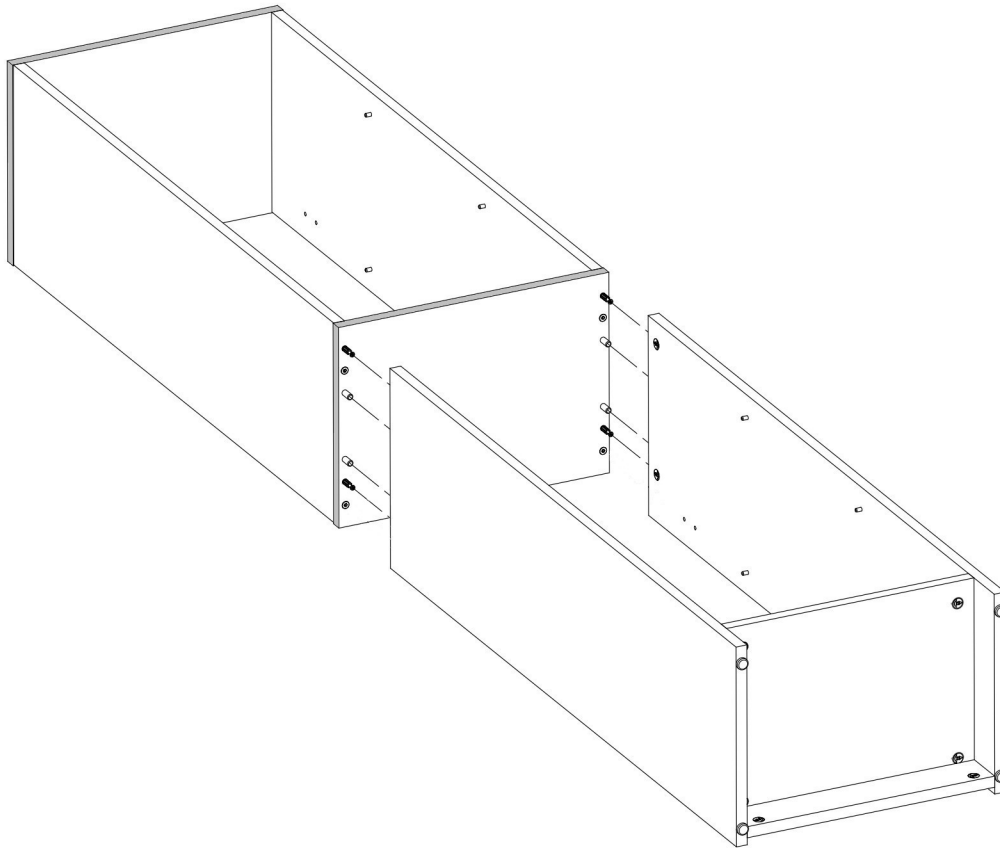





M1  12x15mm x4	E1  8x30mm x4
---	---

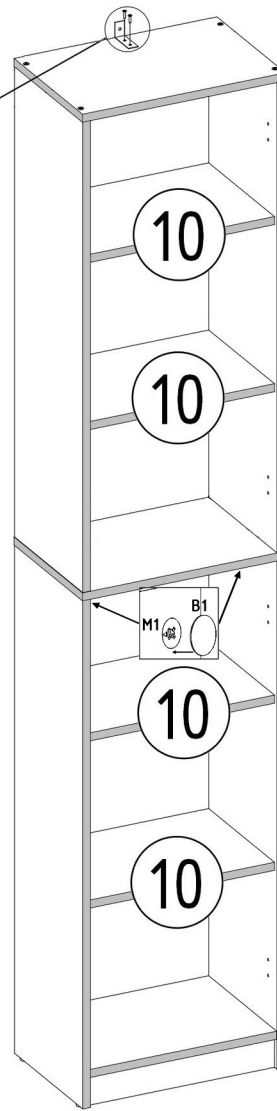
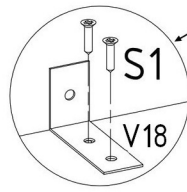



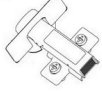

M1  12x15mm x2	N1  L=35mm x3	T1  x2	V16  5x16mm x4
---	---	--	--

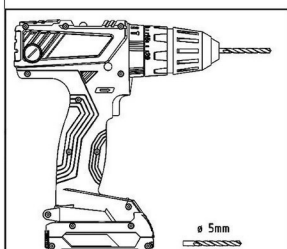
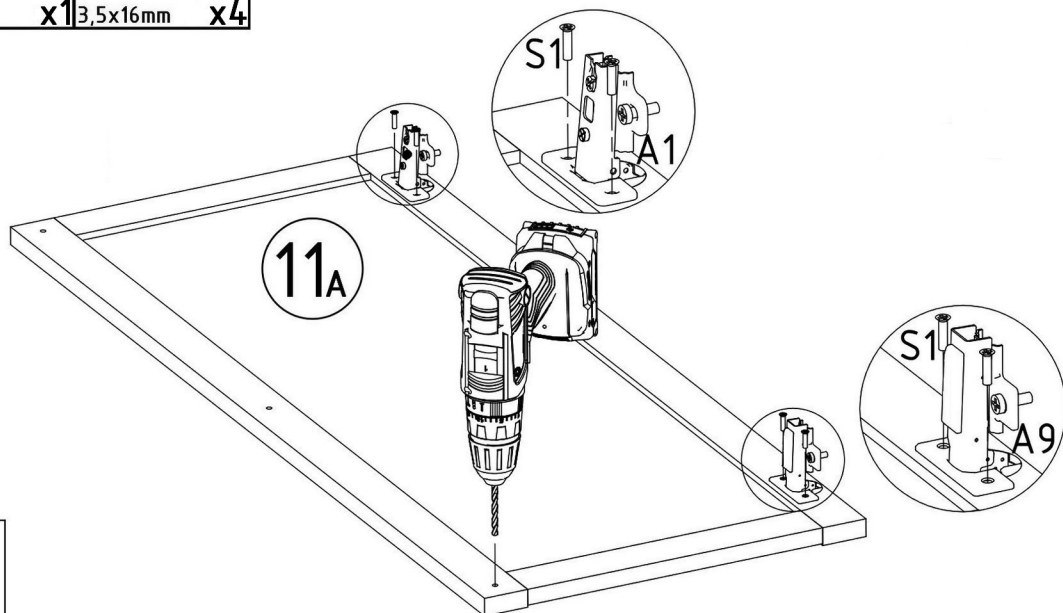



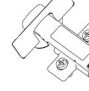



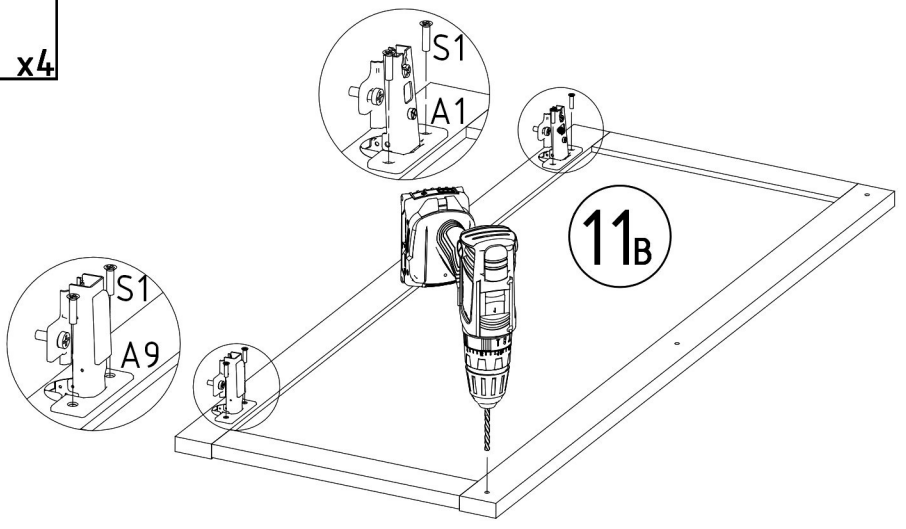
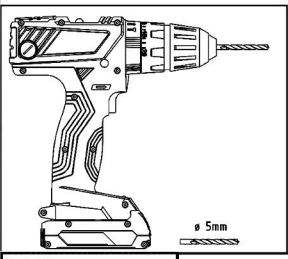
S1  3,5x16mm x2	V18  x1	B1  ø17/4mm x4
--	---	--




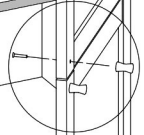
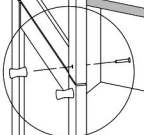
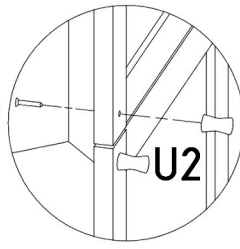
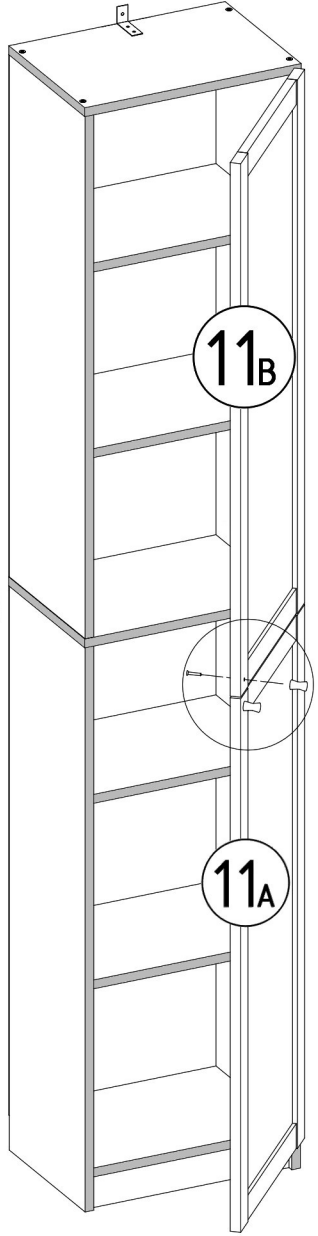
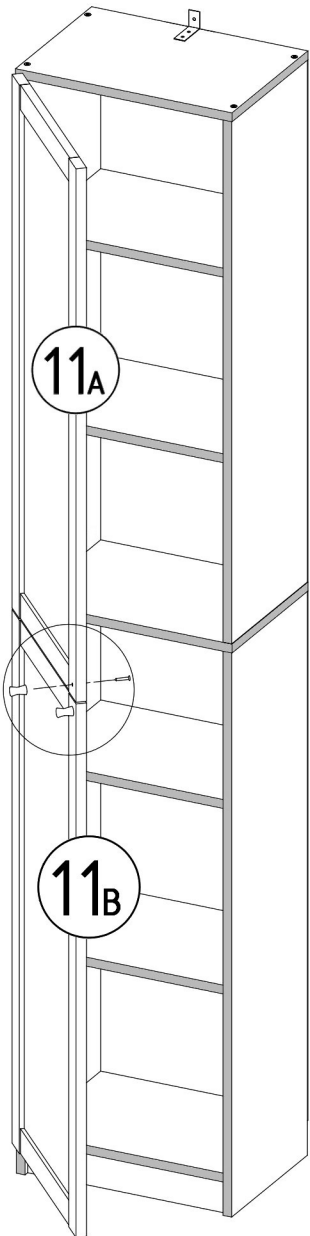
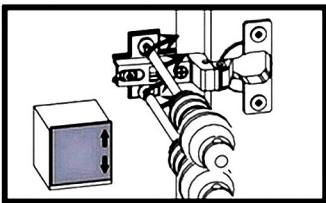
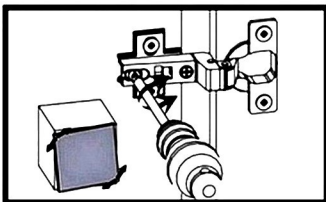
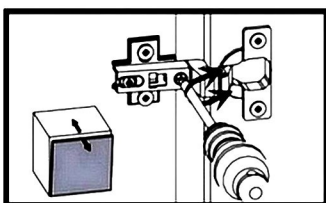
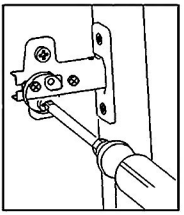
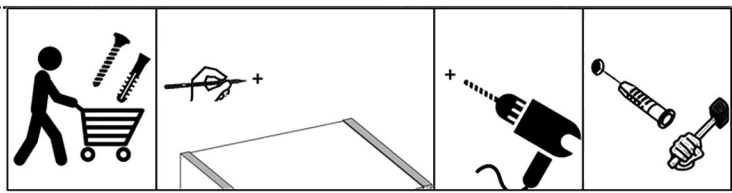
A1  ZP x1	A9  ZP x1	S1  3,5x16mm x4
--	---	---



A1 	A9 	S1 
ZP	x1 ZP _D	x1 3,5x16mm x4



U2

x2



11B

11A