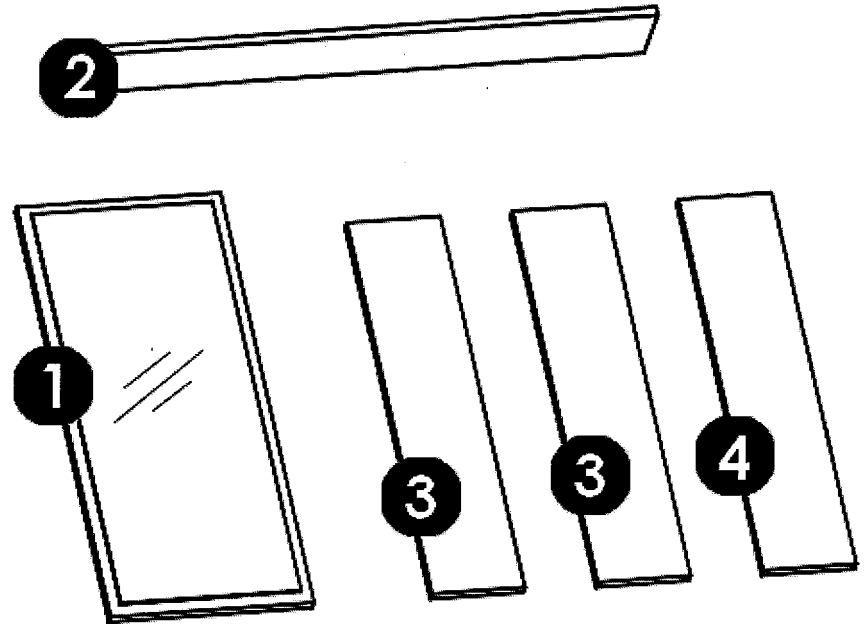
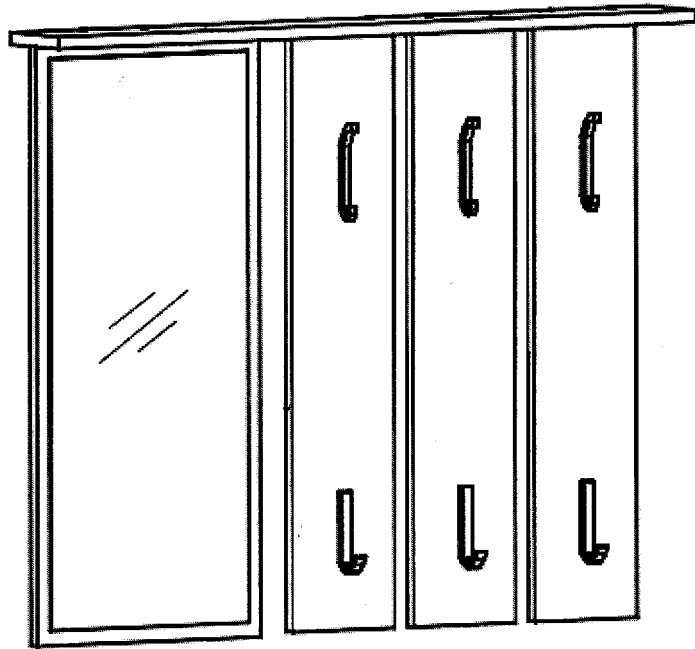





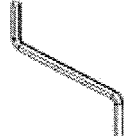


23.05.2019

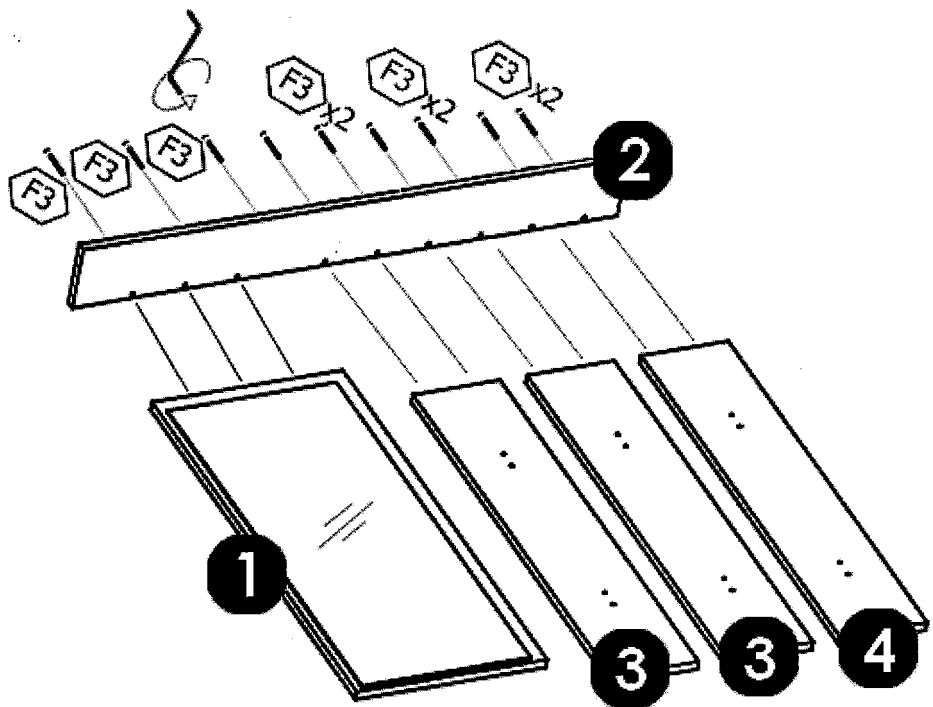
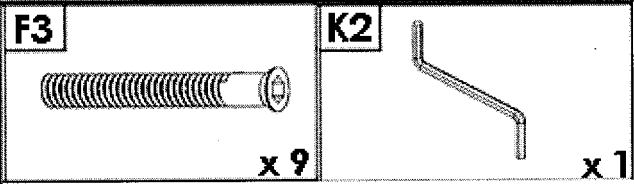
# ROMA - PARMA



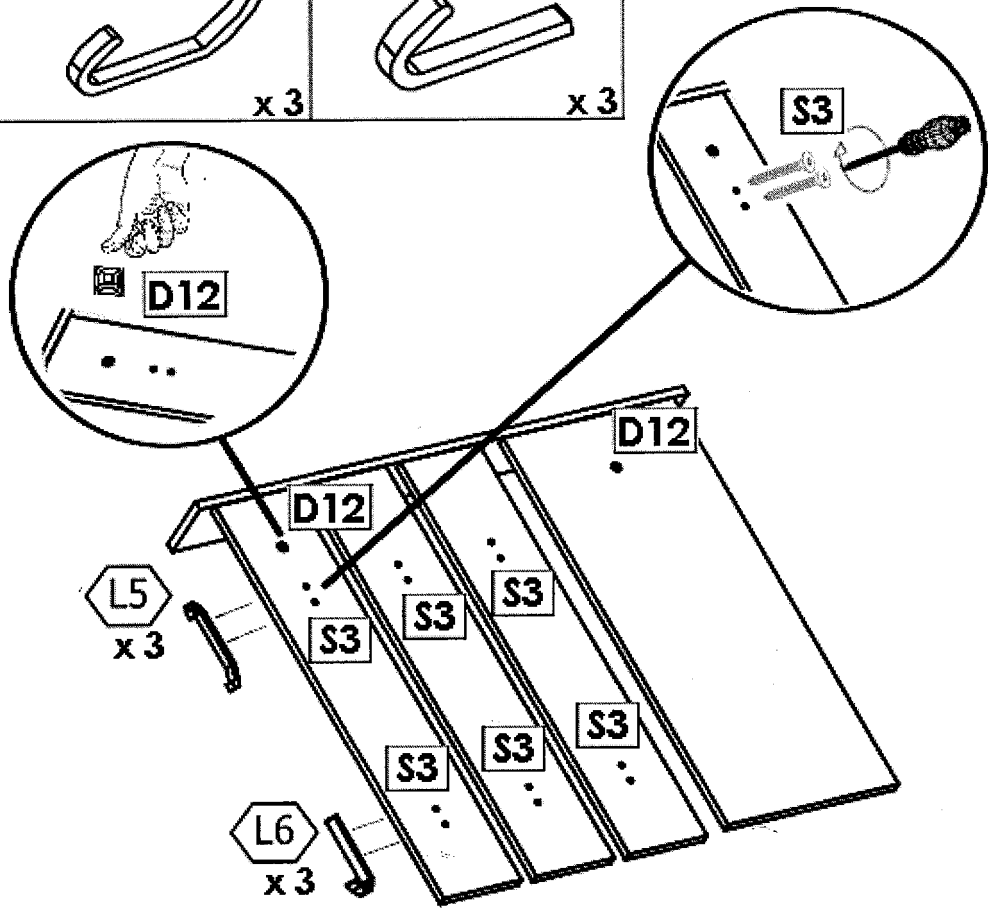
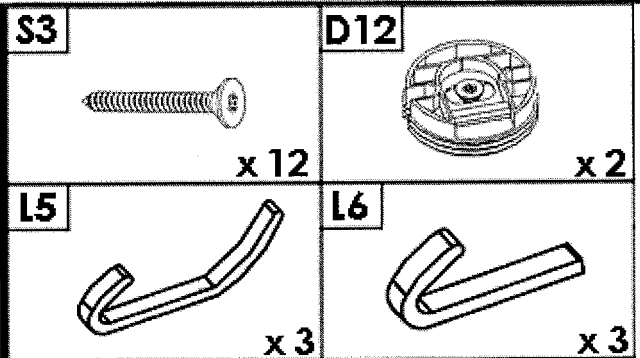
- ① x 1
- ② x 1
- ③ x 2
- ④ x 1

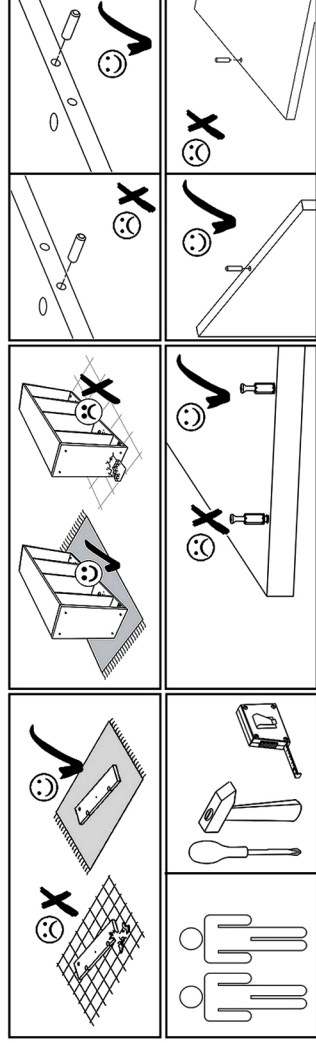
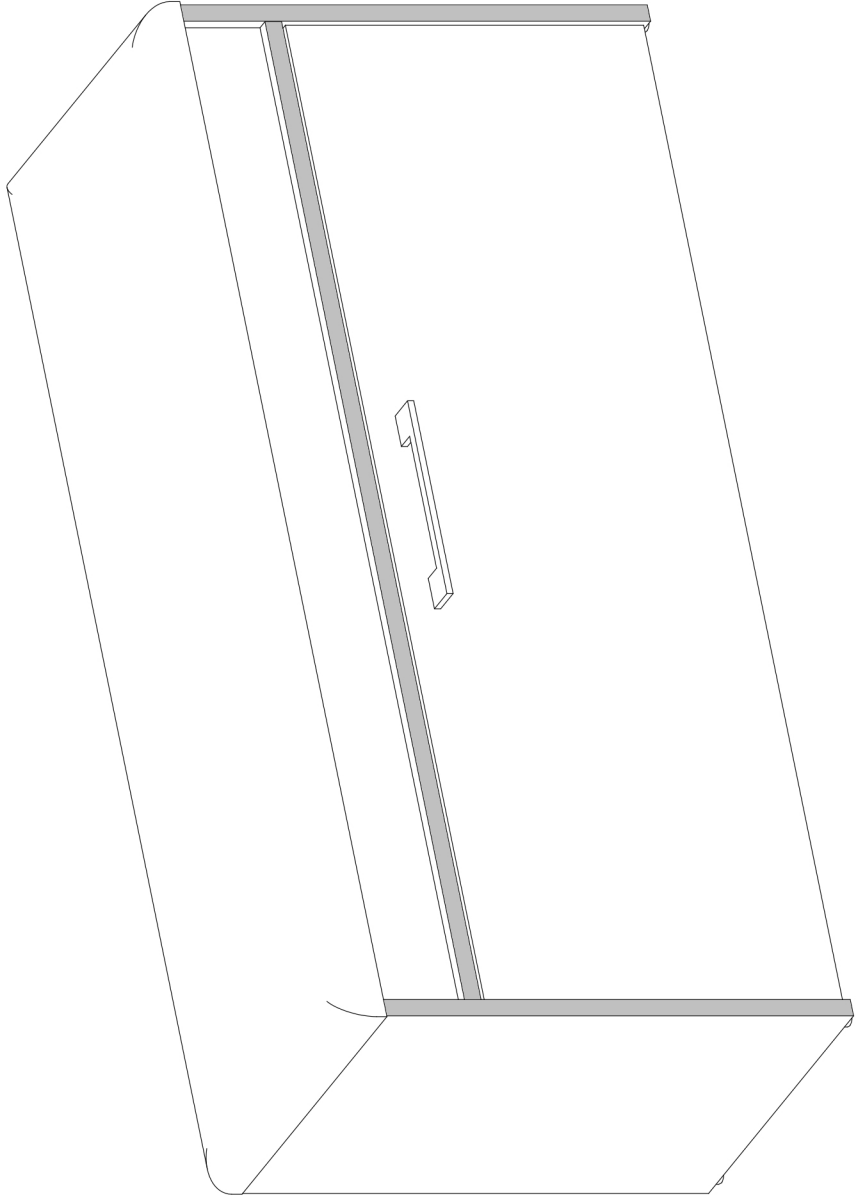
<b>S3</b>  x 12	<b>F3</b>  x 9	<b>D12</b>  x 2
<b>L5</b>  x 3	<b>L6</b>  x 3	<b>K2</b>  x 1











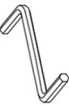
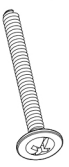


# 1

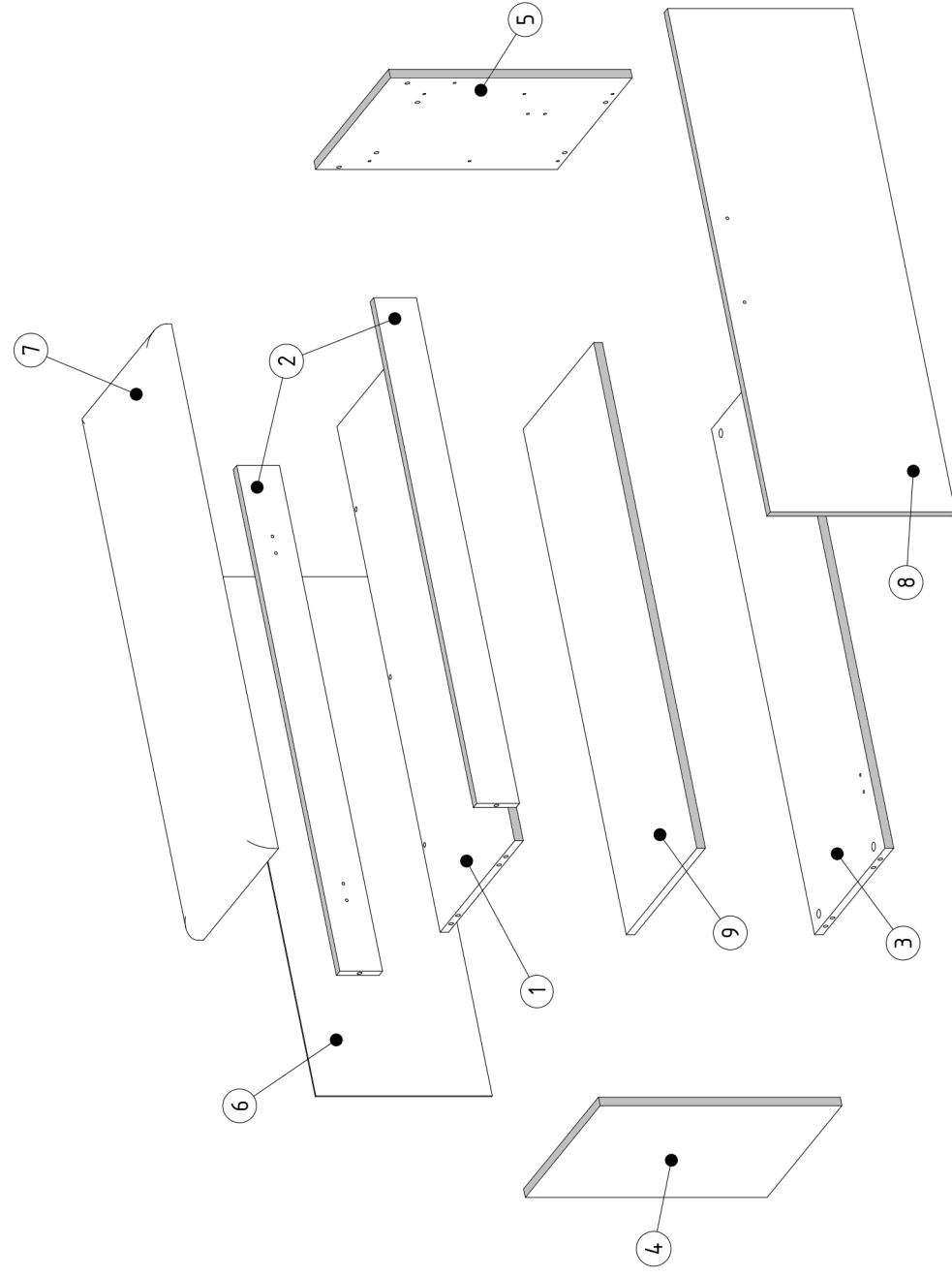


# 2




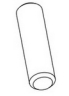


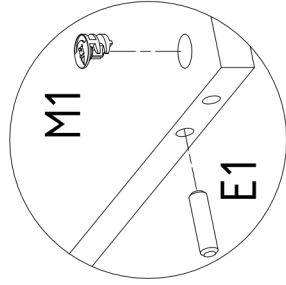
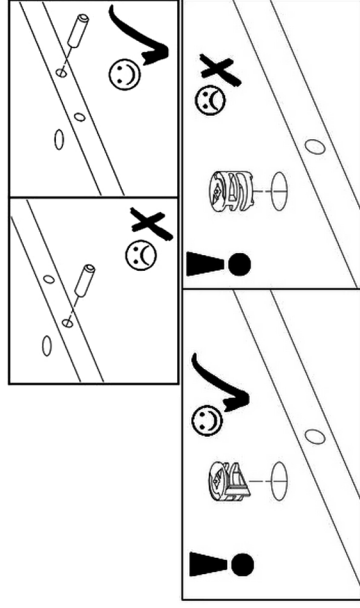
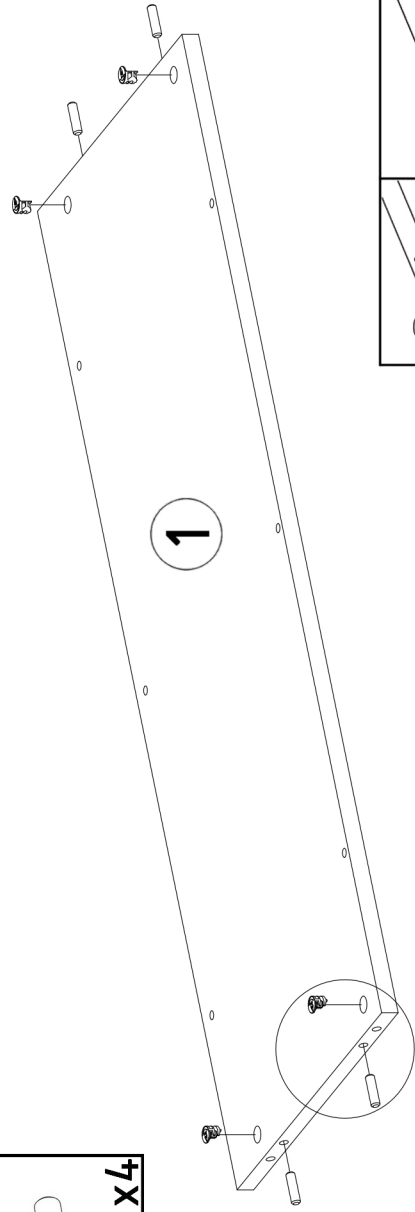
N1		x8	L=35mm	M1		x8	ZP	A1		x4	S1		x10	E1		x12	S3		x2	U6		x1
Z1		x40	L=208mm	F1		x6	K7		x6	F3		x1	S7		x2	V2		x1	T1		x4	

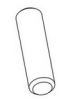


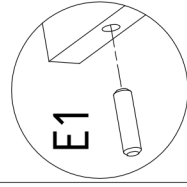
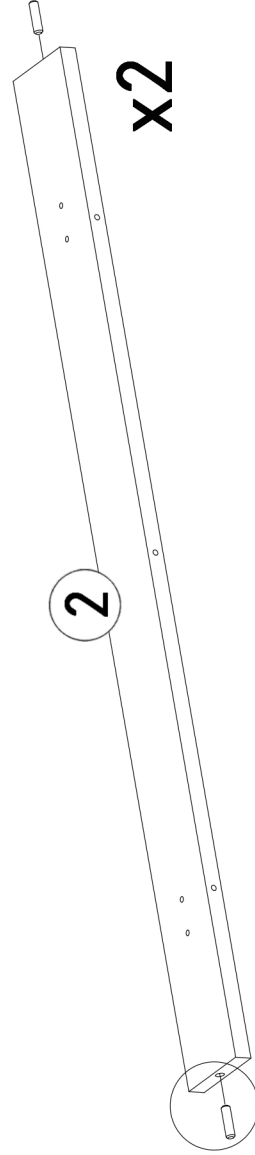
1	x	1
2	x	2
3	x	1
4	x	1
5	x	1



6	x	1
7	x	1
8	x	1
9	x	1

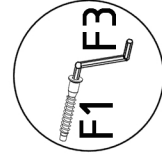
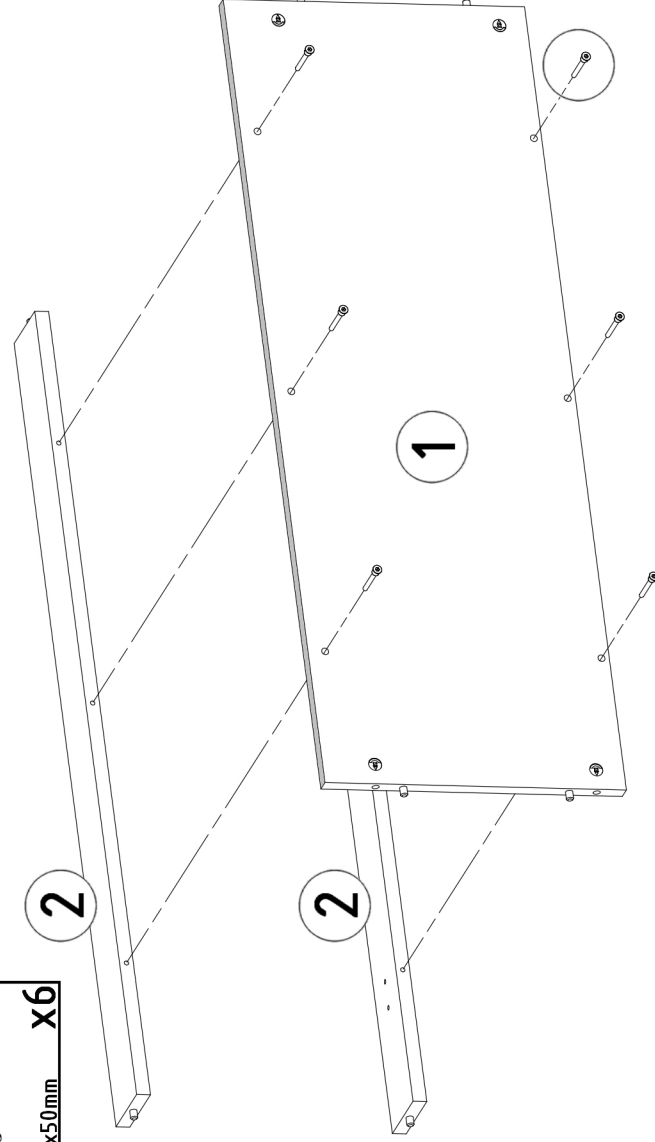
<b>M1</b>		<b>E1</b>	
<b>12x15mm X4</b>		<b>8x30mm X4</b>	



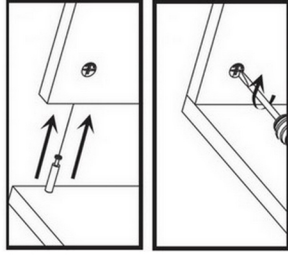
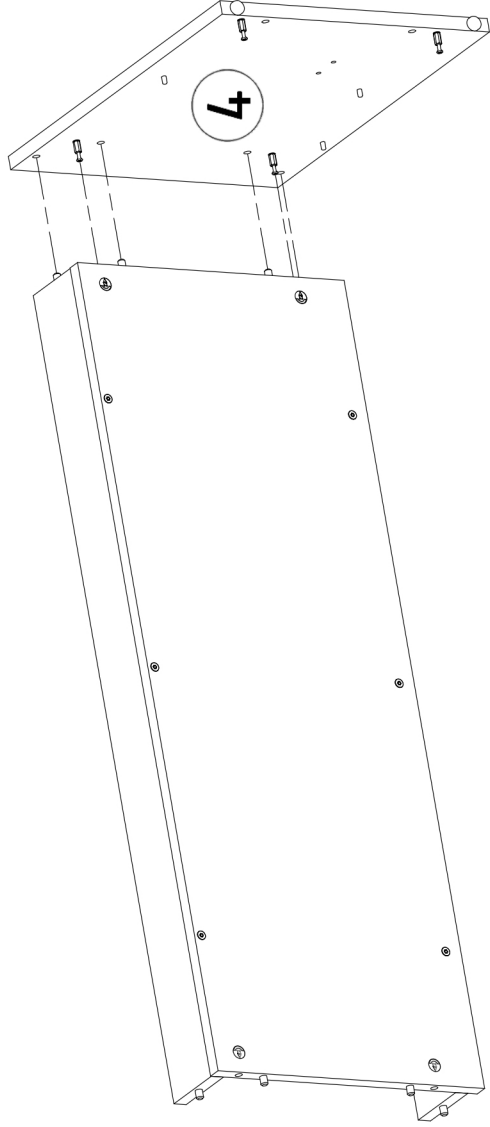
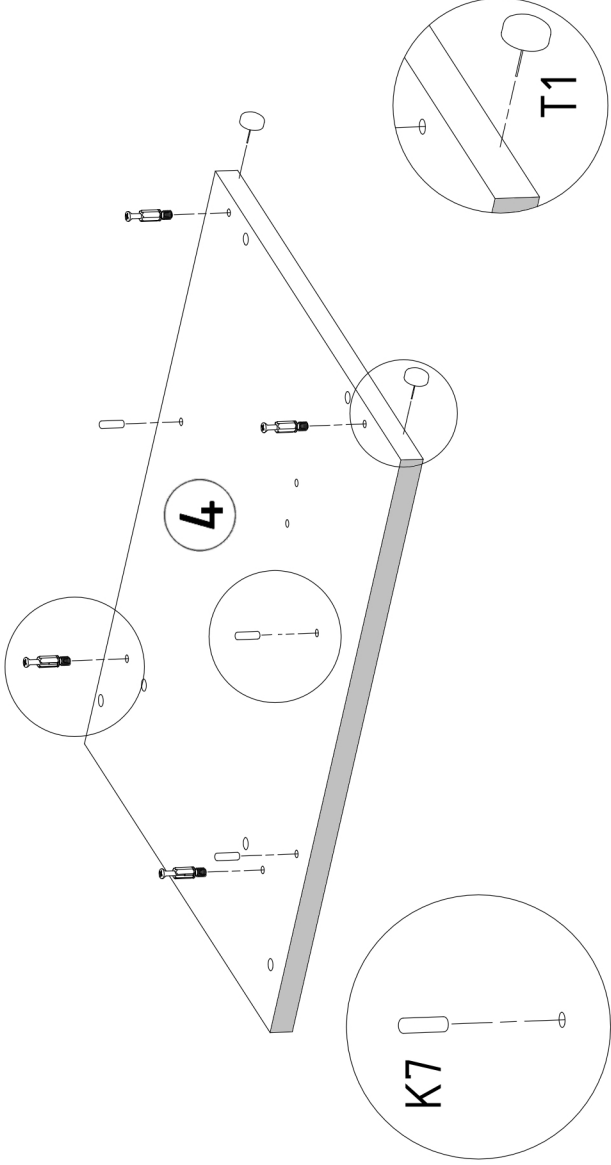
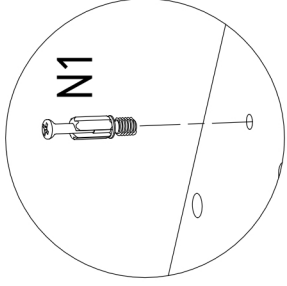
<b>E1</b>	
<b>8x30mm X4</b>	


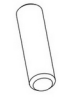


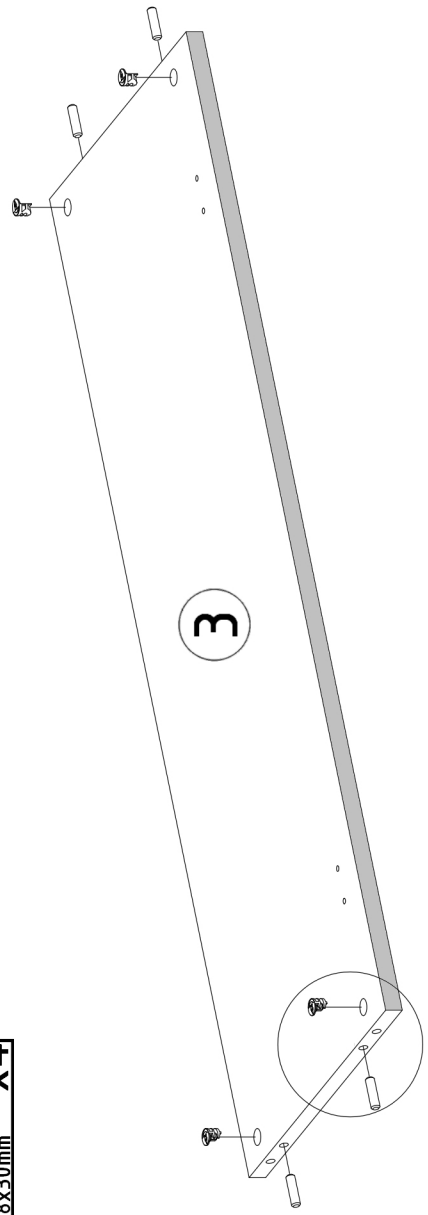
<b>F3</b>		<b>F1</b>	
<b>X1</b>		<b>7x50mm X6</b>	



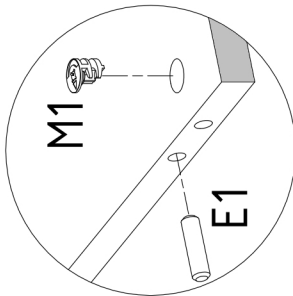
N1	K7	T1	x2
L=35mm	X4	5x16mm	X3

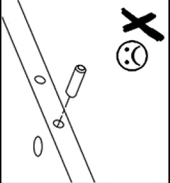
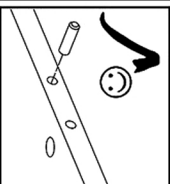
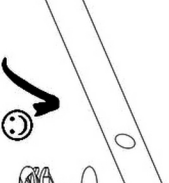
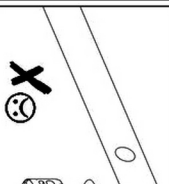


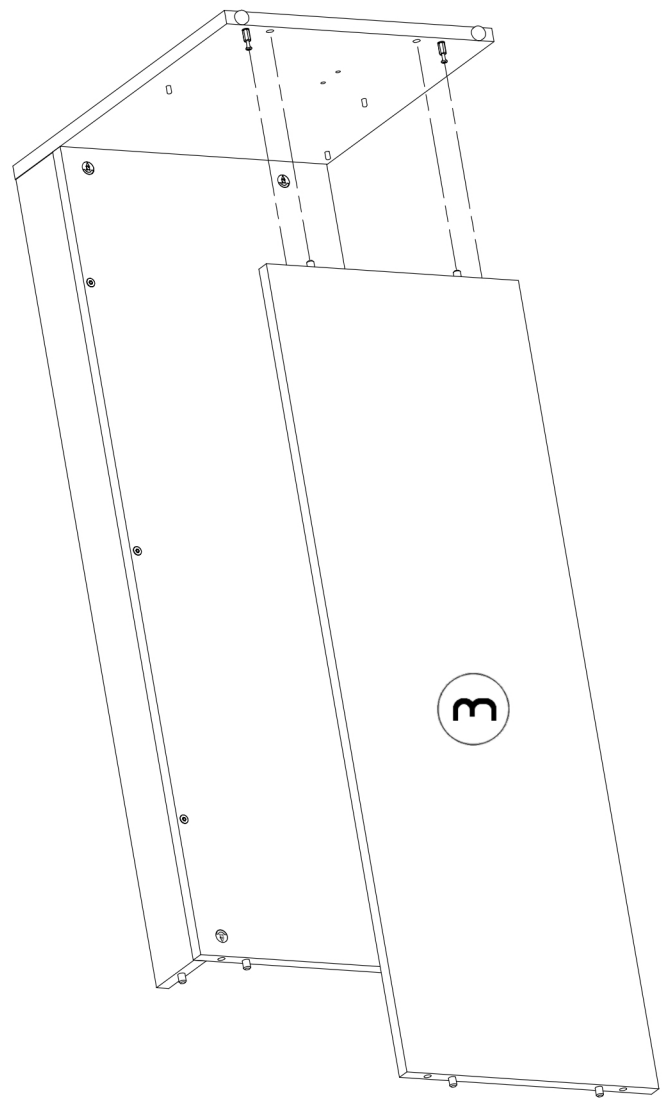
<b>M1</b>		<b>E1</b>	
12x15mm	X4	8x30mm	X4



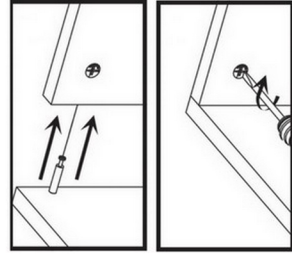
3






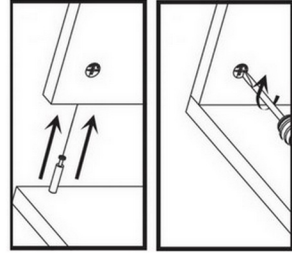
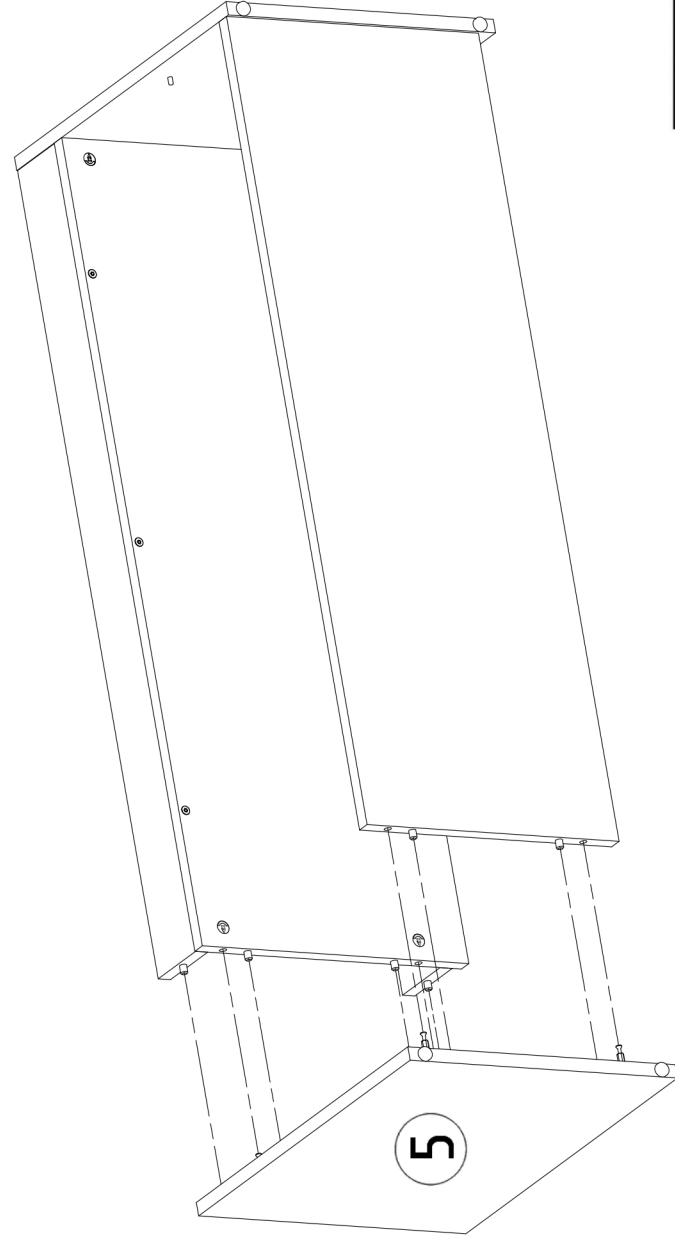
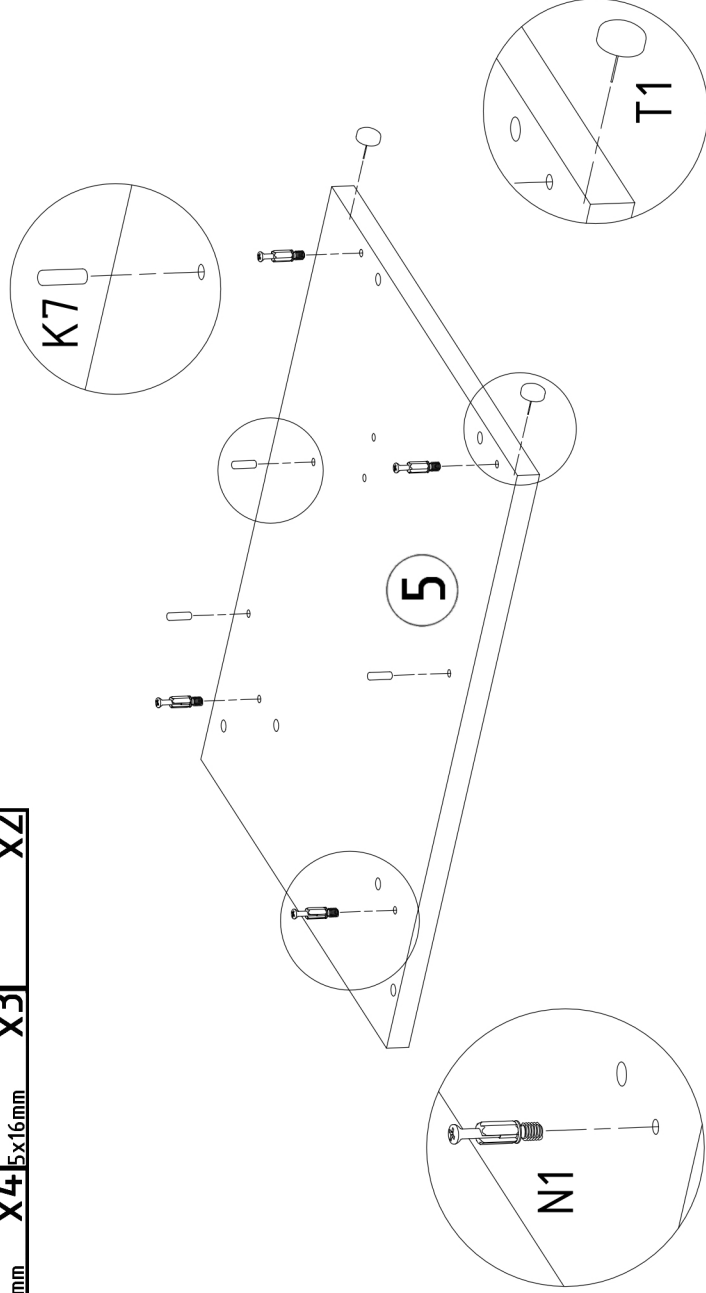
	
	





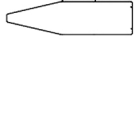
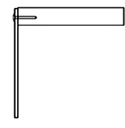
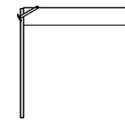
3

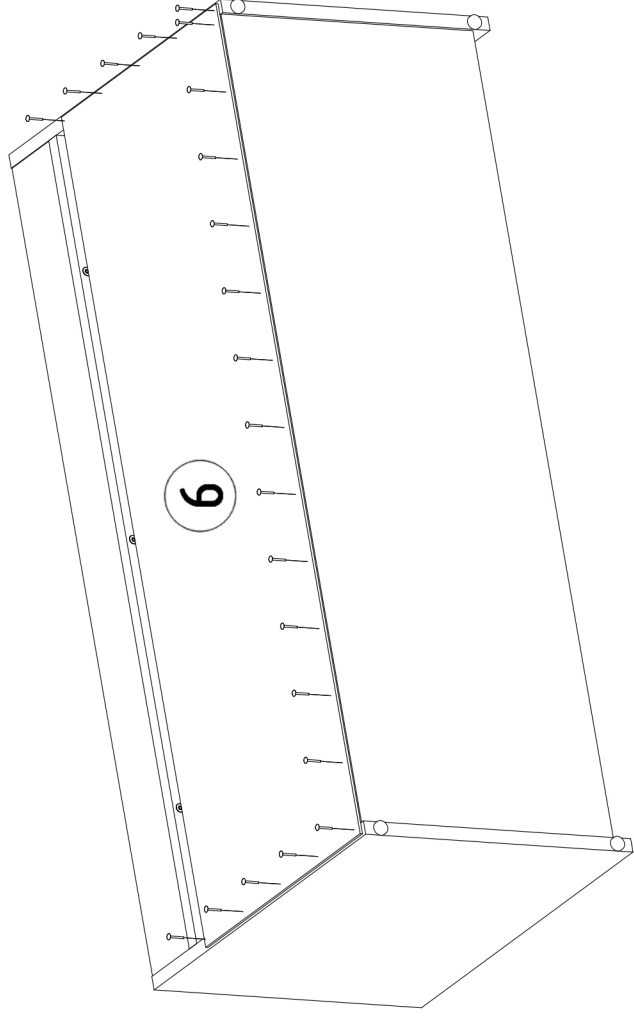
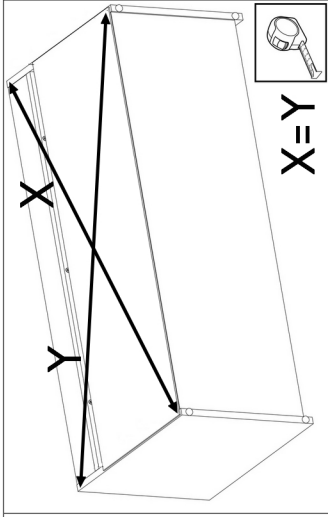




<b>N1</b> 	<b>K7</b> 	<b>T1</b> 
<b>L=35mm</b>	<b>5x16mm</b>	
<b>X4</b>	<b>X3</b>	<b>X2</b>



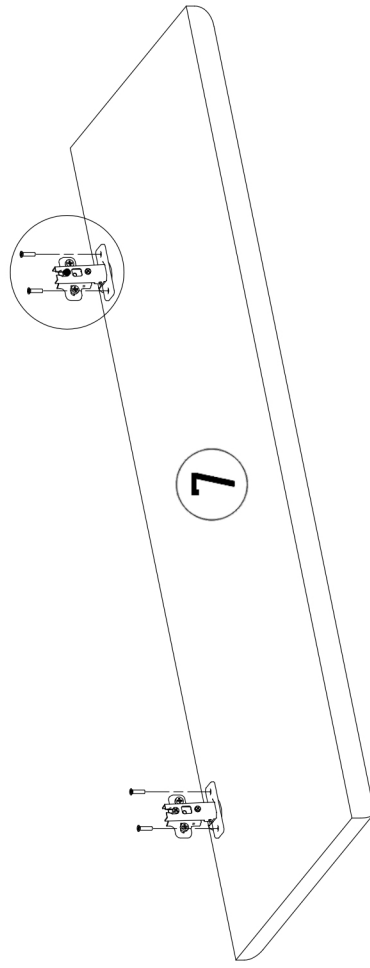
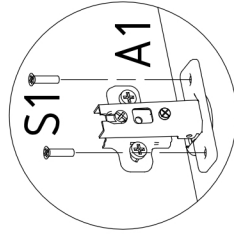
Z1		x40
----	---	-----

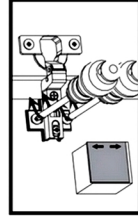
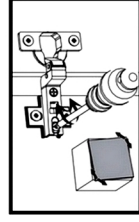
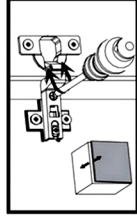
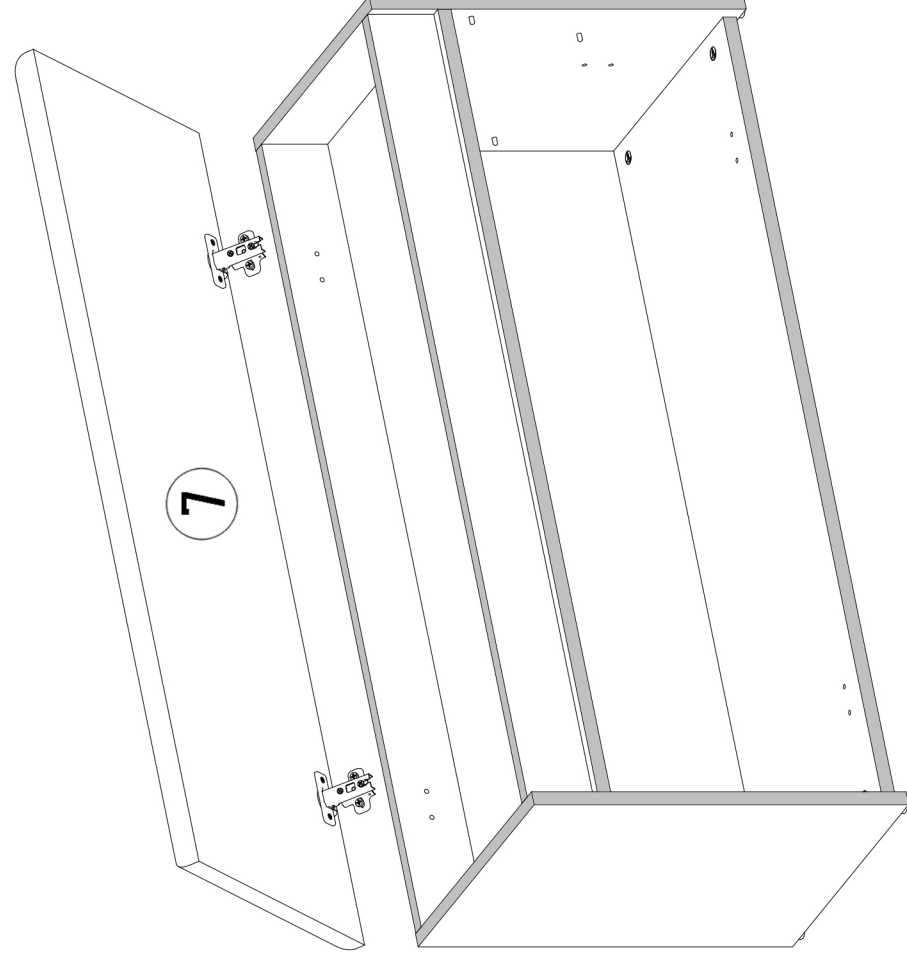
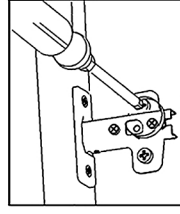
			
---	---	---	--



A1		x2
ZP		x4

3,5x16mm





A1



X2

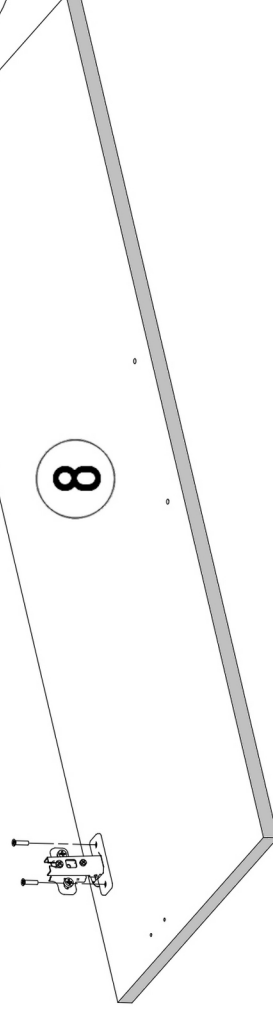
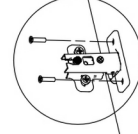
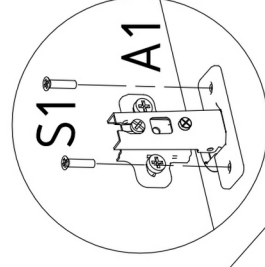
3,5x16mm

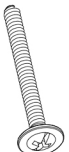

X4

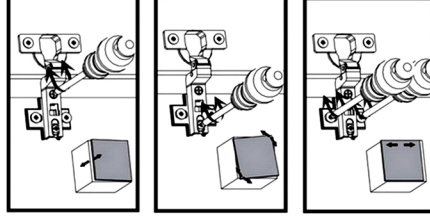
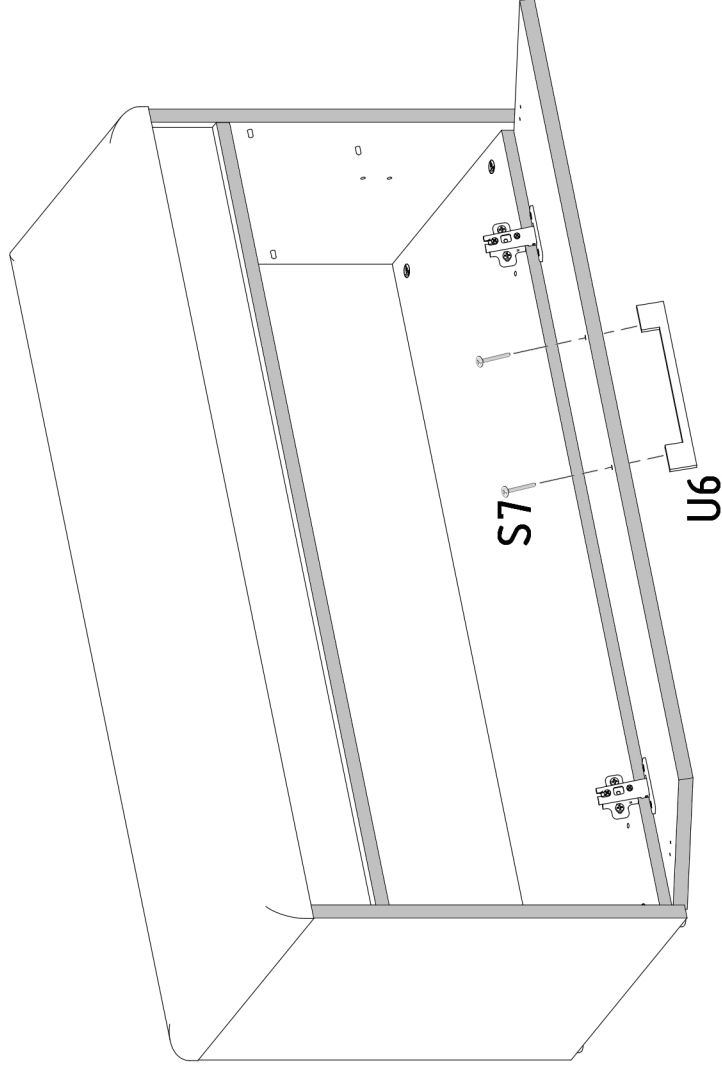
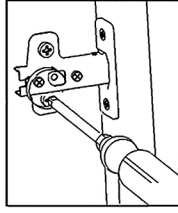
S1






ZP



<b>S7</b>		<b>4x25 mm</b>	<b>X2</b>
<b>U6</b>		<b>L=208mm</b>	<b>X1</b>



<b>S1</b>		<b>3,5x16mm</b>	<b>X2</b>
<b>V2</b>		<b>X1</b>	<b>X2</b>
<b>S3</b>		<b>6x13mm</b>	<b>X2</b>

