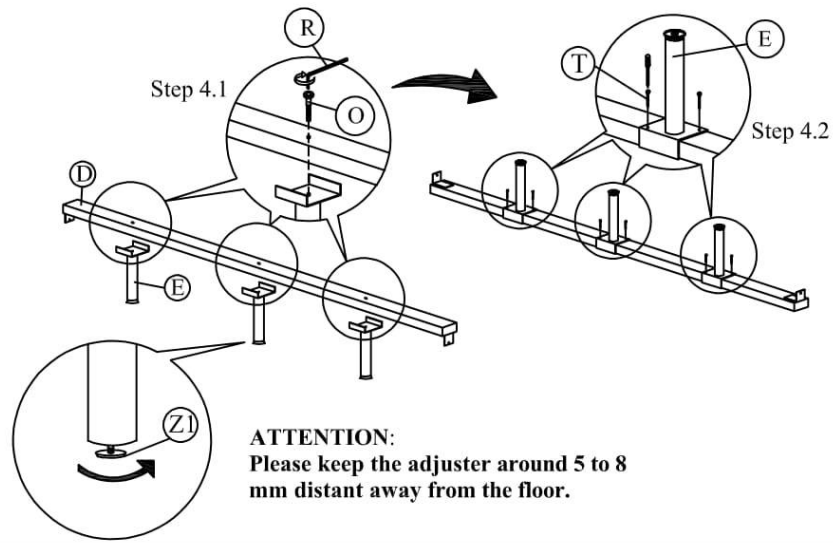
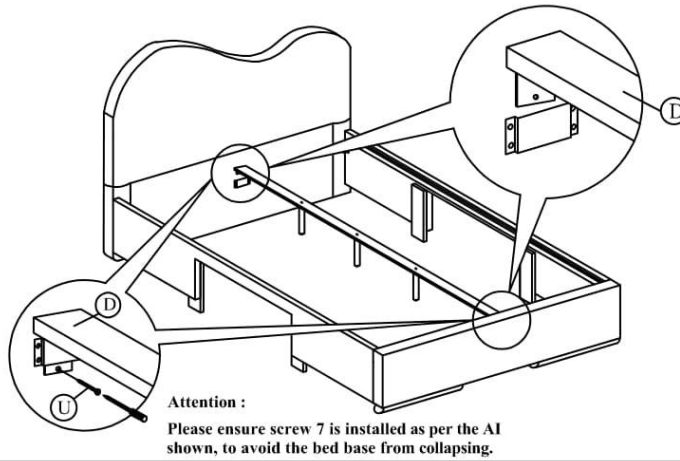


AMBER 160

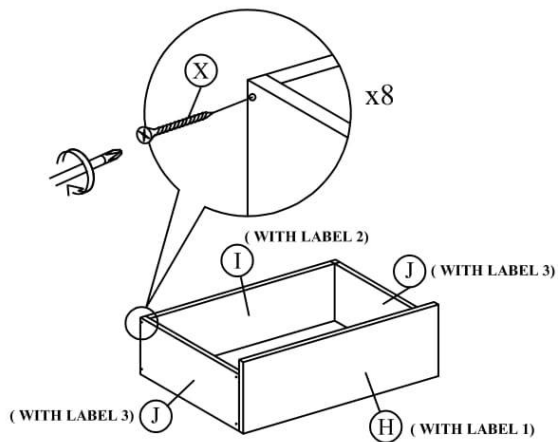
4



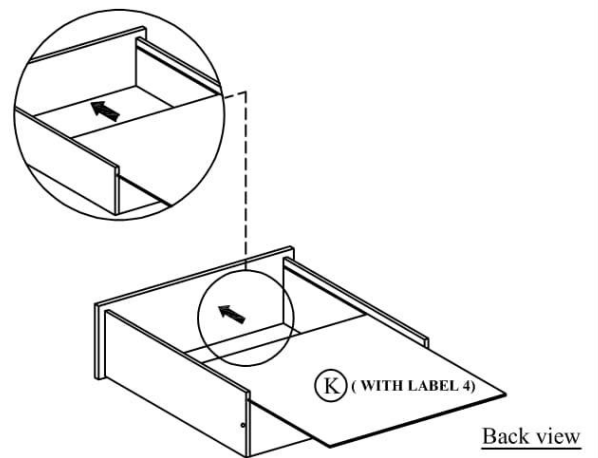
5



6



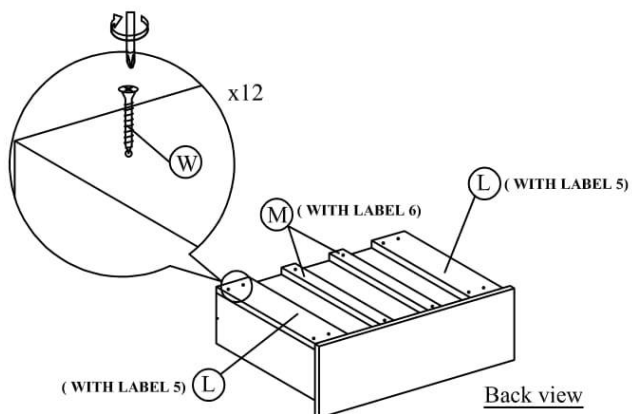
7



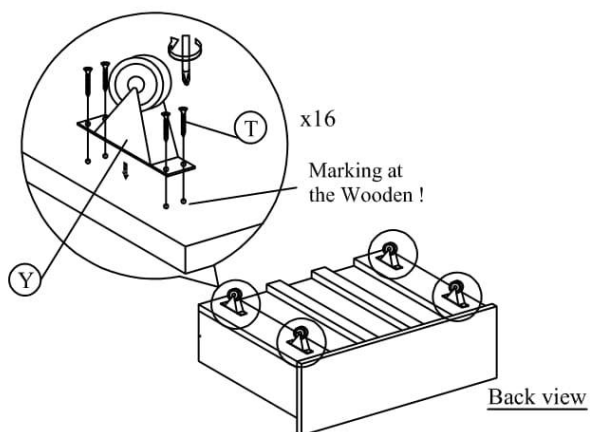
v.1

AMBER 160

8

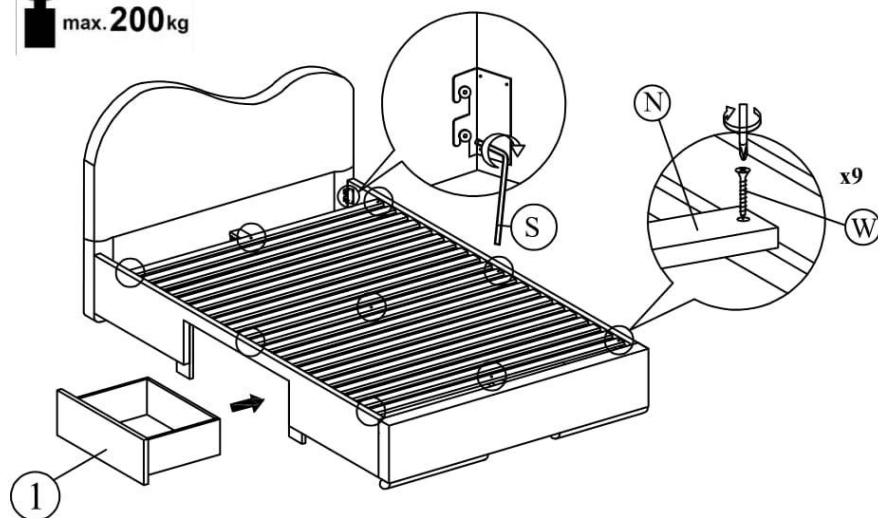


9



10



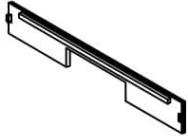






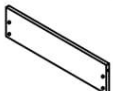




 max. 200kg



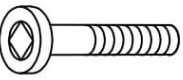
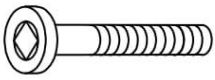



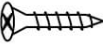

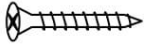
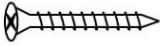
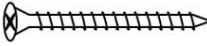


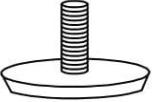
v.1

AMBER 160

PARTS LIST

A (1 PC)	B (1 PC)	C (2 PCS)	D (1 PC)	E (3 PCS)	F (4 PCS)
					
G (2 PCS)	H (2 PCS) (WITH LABEL 1)	I (2 PCS) (WITH LABEL 2)	J (4 PCS) (WITH LABEL 3)	K (2 PCS) (WITH LABEL 4)	L (4 PCS) (WITH LABEL 5)
					
M (4 PCS) (WITH LABEL 6)	N (1 PCS)				
					

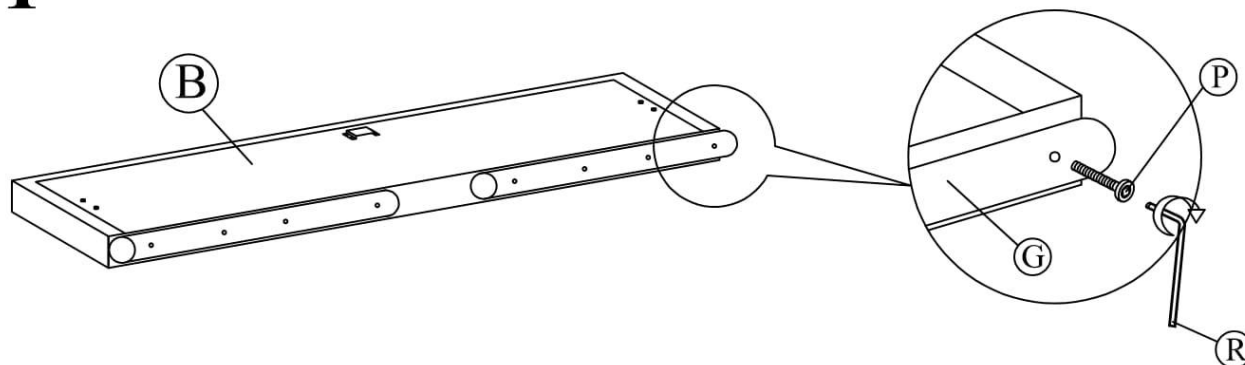
HARDWARE LIST

O JCBC M6 X 40mm (3 PCS)	P JCBC M6 X 50mm (8 PCS)	Q JCBB M8 x 20 mm (8 PCS)	R ALLEN KEY M4 X 100mm (1 PC)	S ALLEN KEY M5 X 70mm (1 PC)
				
T CSK M3.5 x 16mm (38 PCS)	U CSK M4 x 25mm (2 PCS)	V CSK M4 x 28mm (8 PCS)	W CSK M4 x 32mm (33 PCS)	X CSK M4 x 50mm (16 PCS)
				
Y (8 PCS)	Z (8 PCS)	Z1 Big Adjuster (3 PCS)		
				

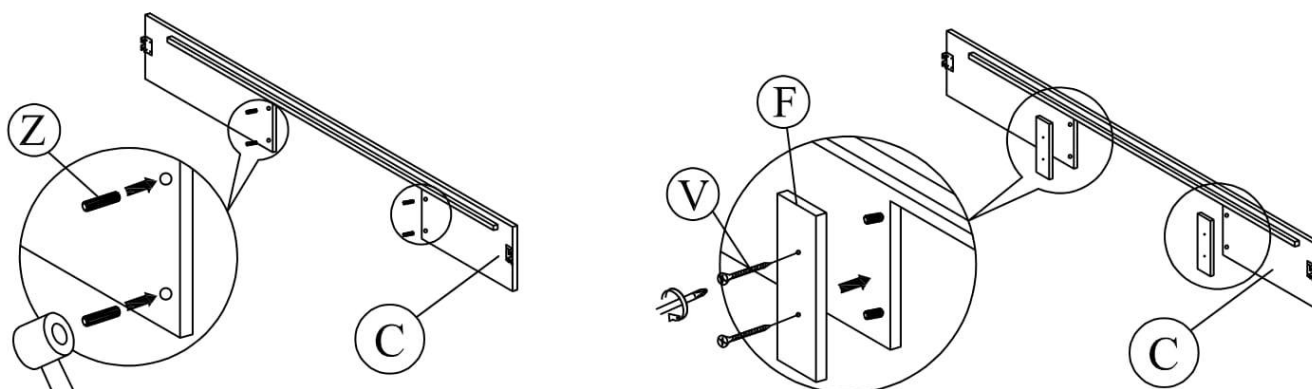
v.1

AMBER 160

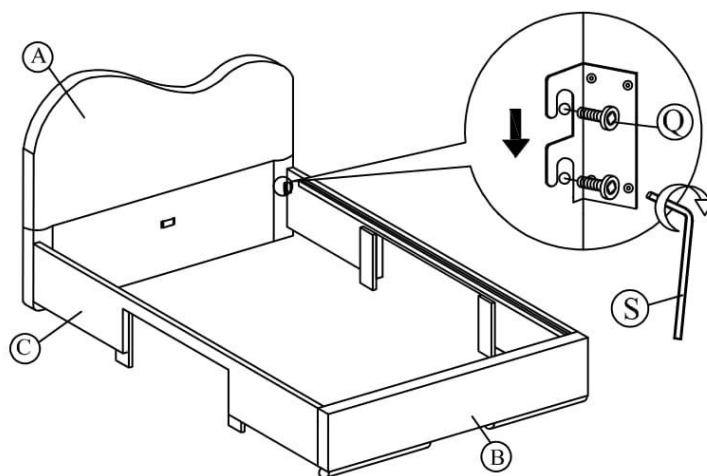
1



2



3



v.1