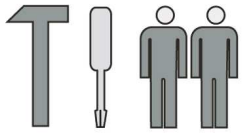
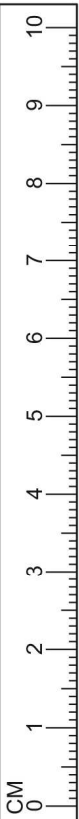
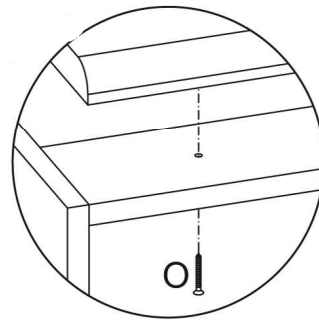
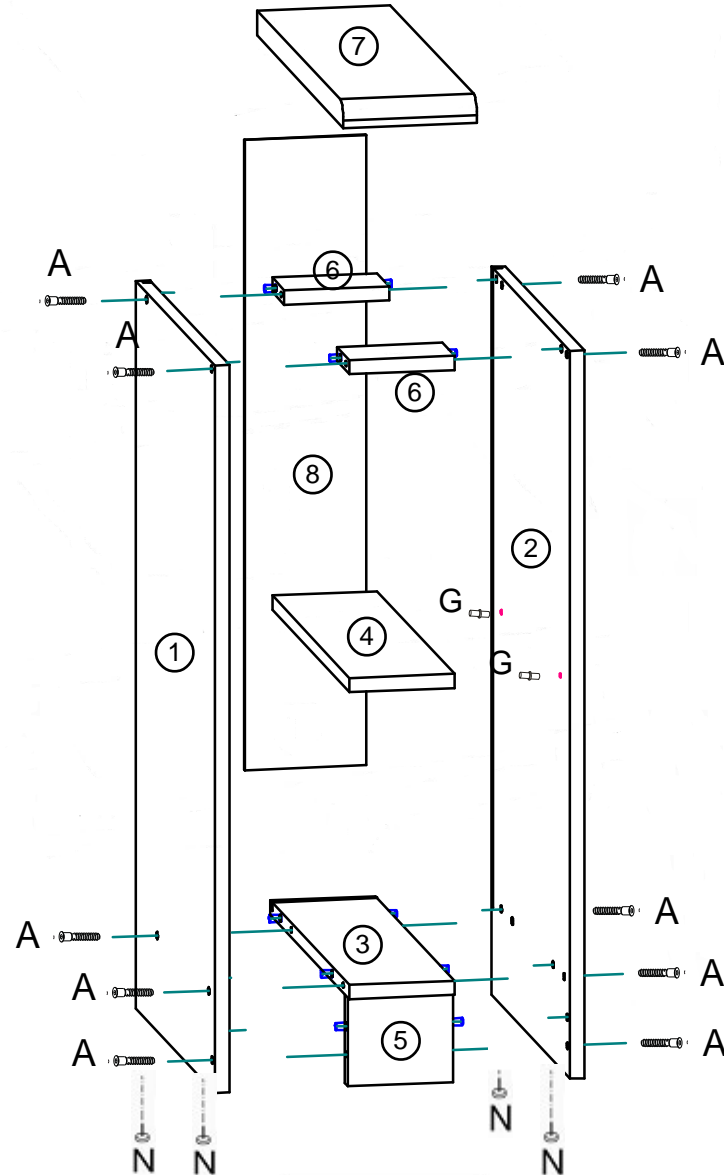
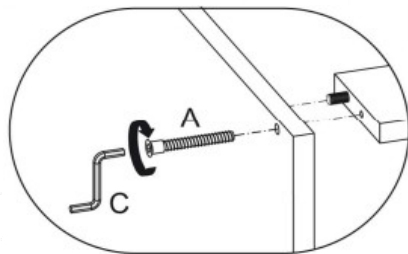
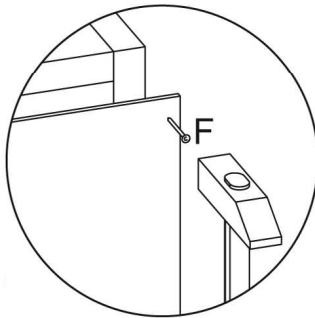
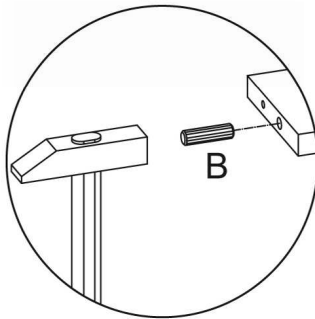


D-15



A	B	C	F	G	N	O
10	10	1	~20	4	4	2



No packer:

Dear Customer.
We regret to inform you, that in time complaint please give No packer and No missing and spoil element.