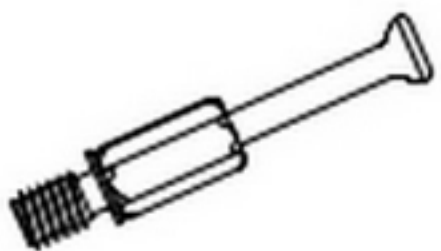


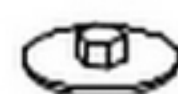
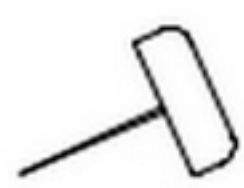
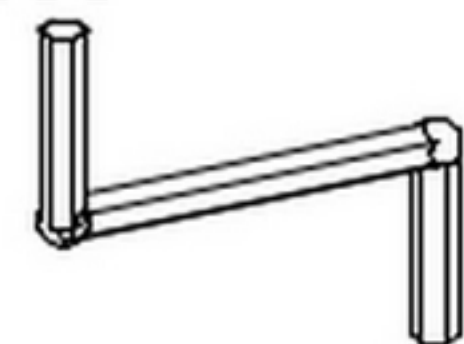

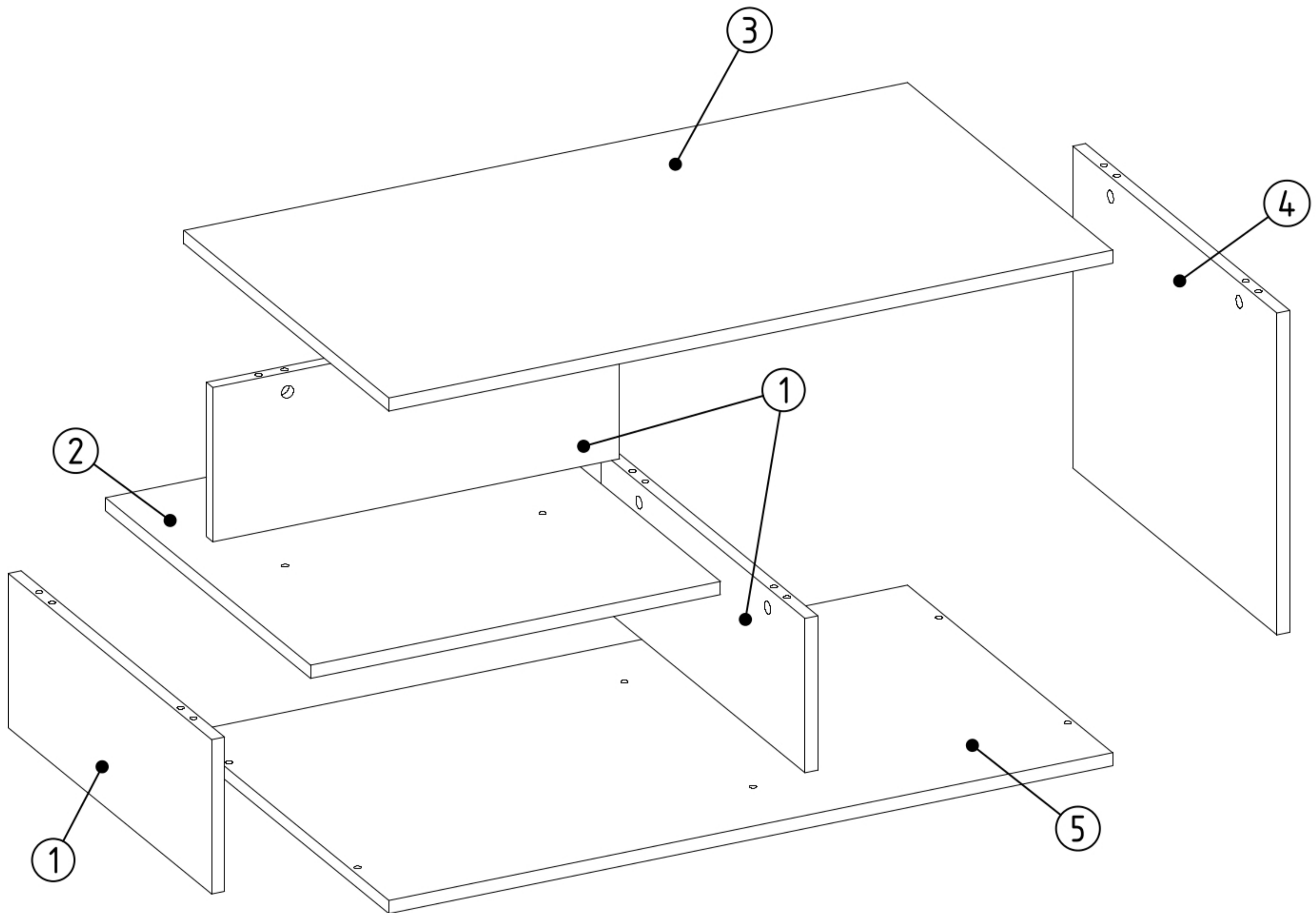




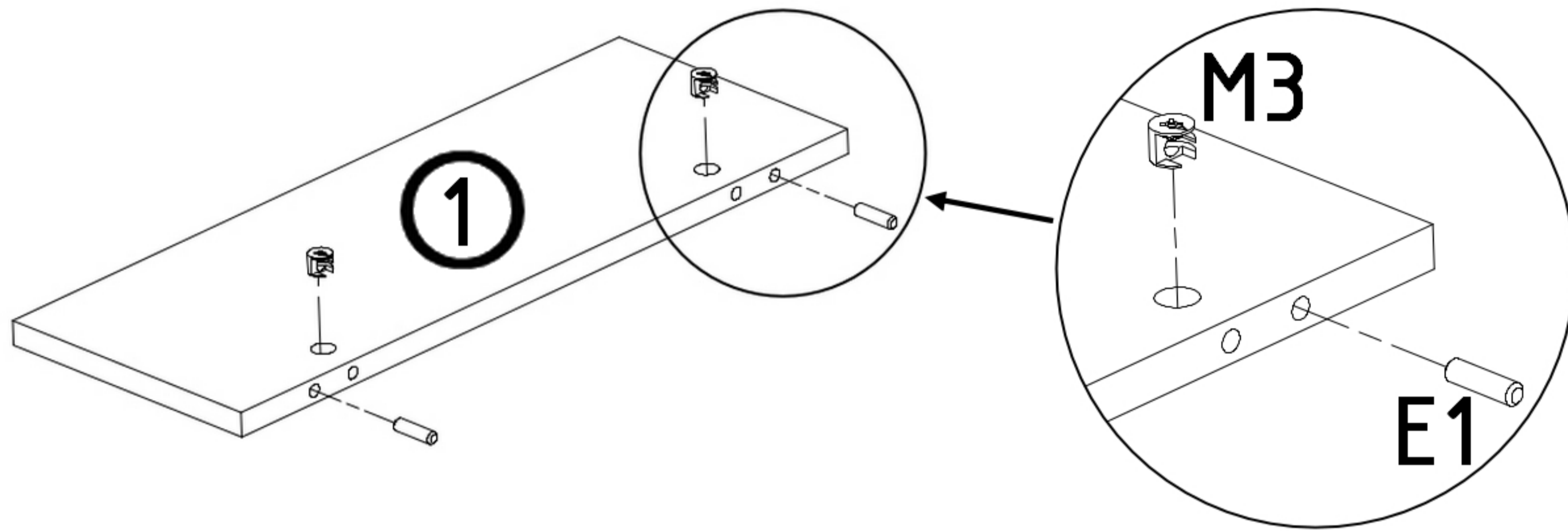
N2  20,3 x 8	M3  x 8	E1  8x30 x 8	M2  x 8	T1  x 4	K1  x 1	F2  x 8
---	---	--	--	---	---	---

1



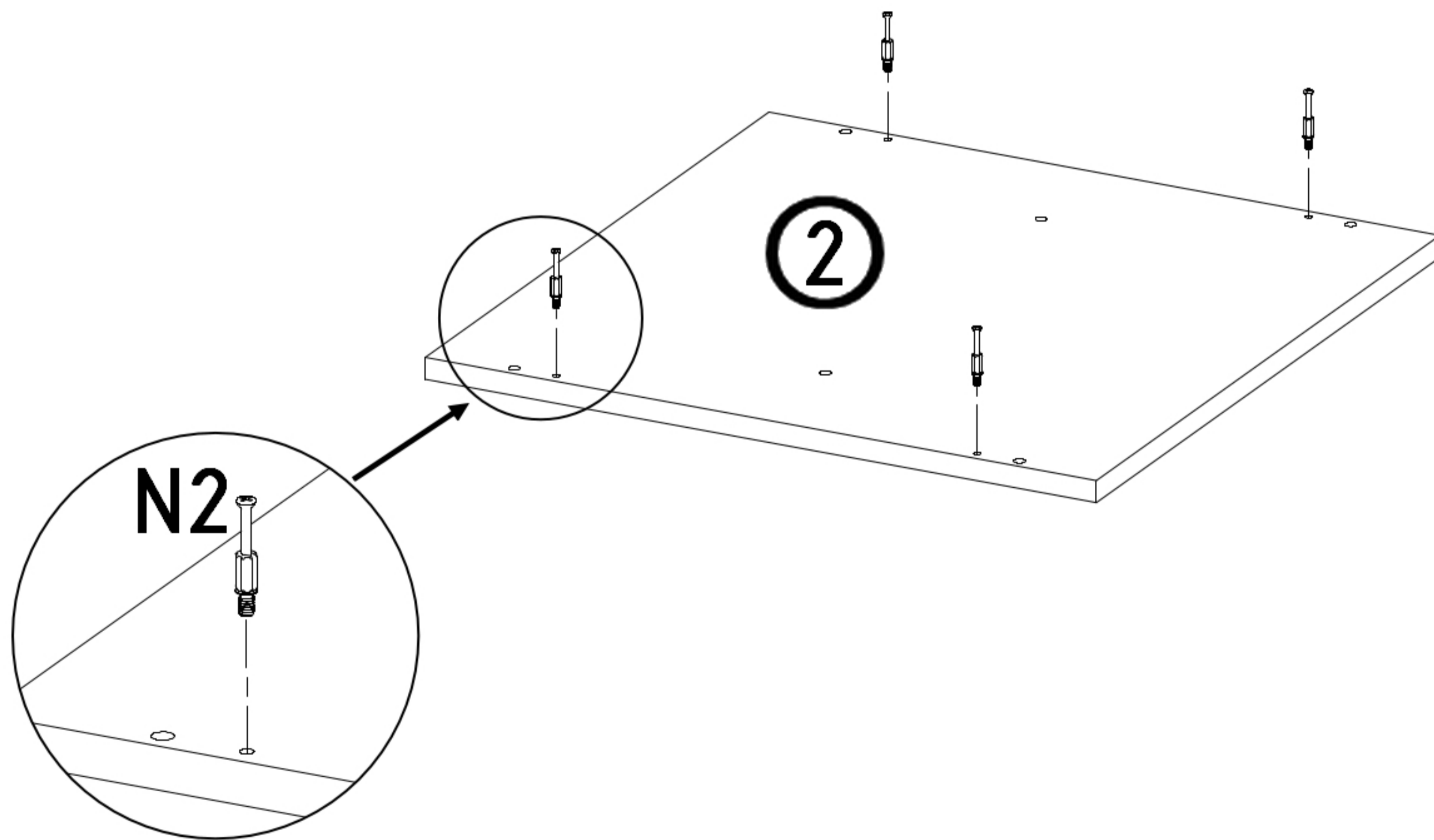
1	x 3
2	x 1
3	x 1
4	x 1
5	x 1

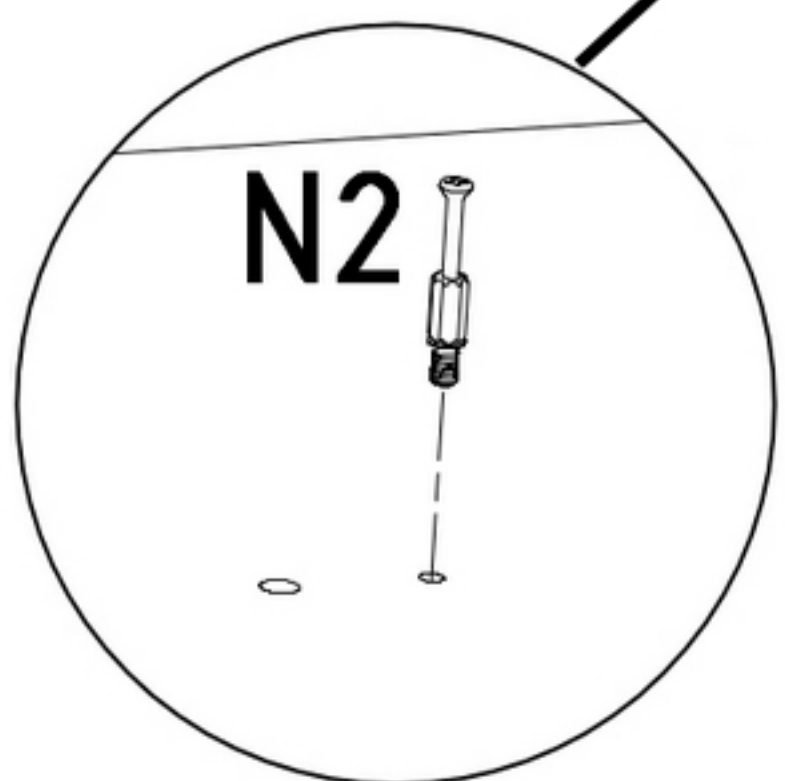
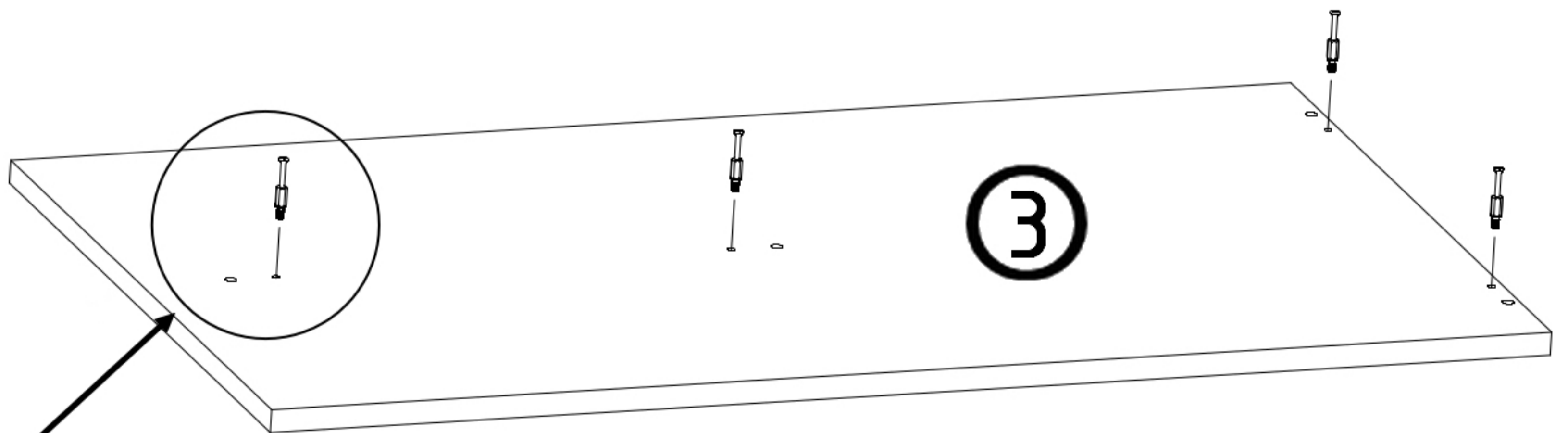
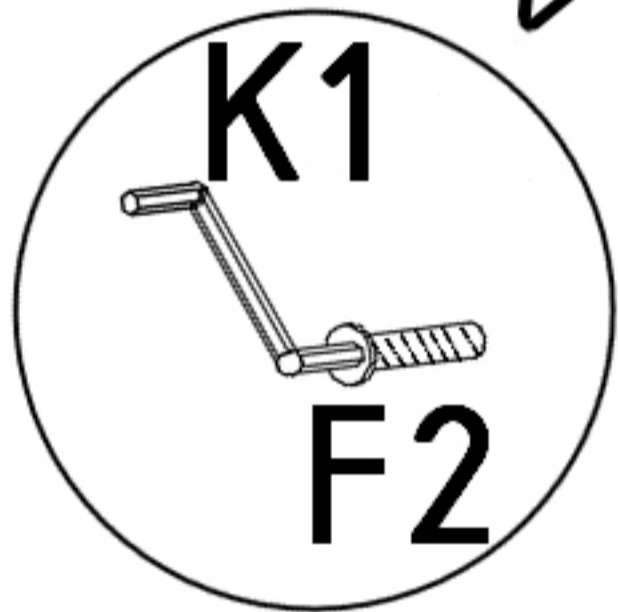
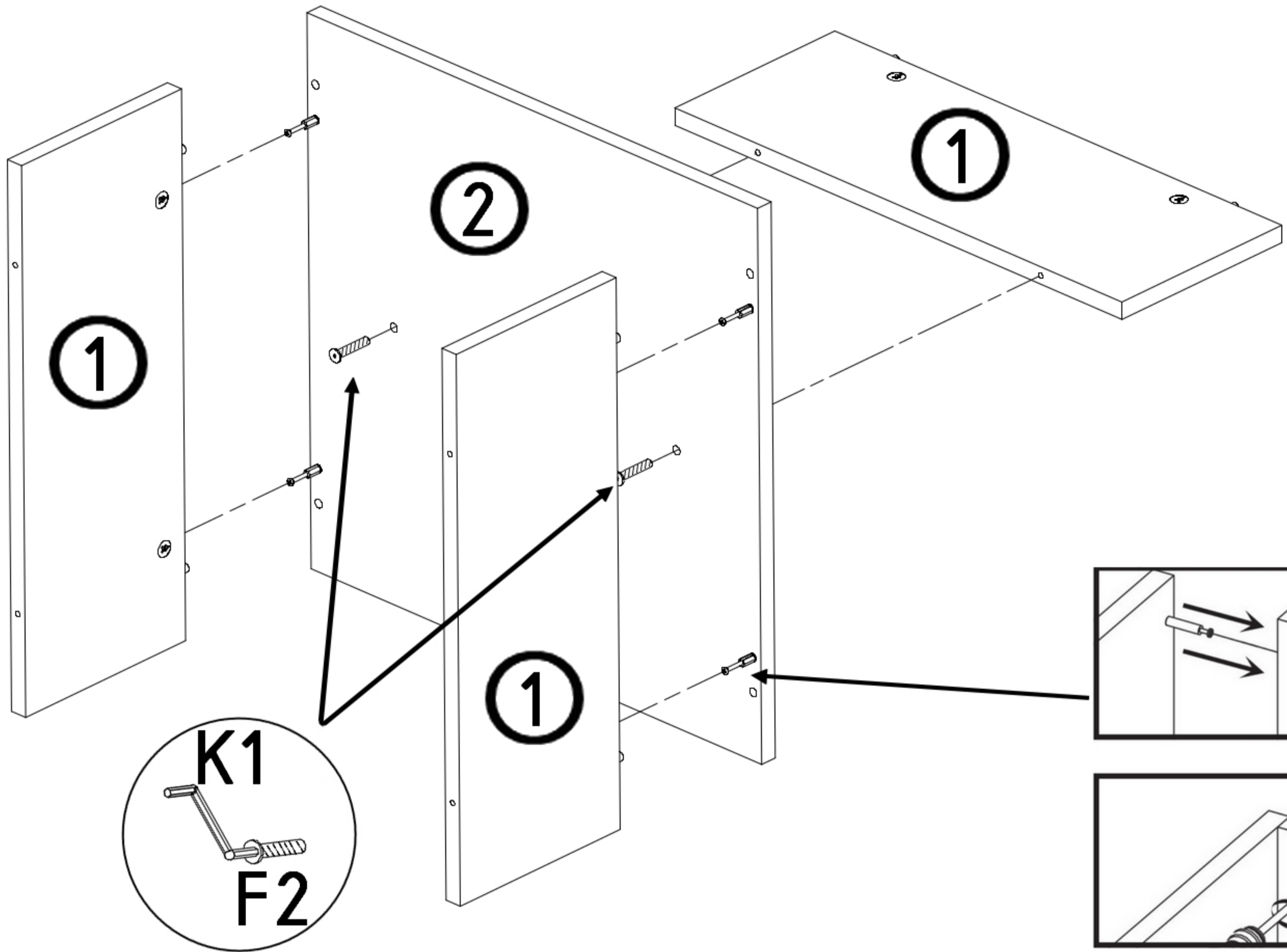
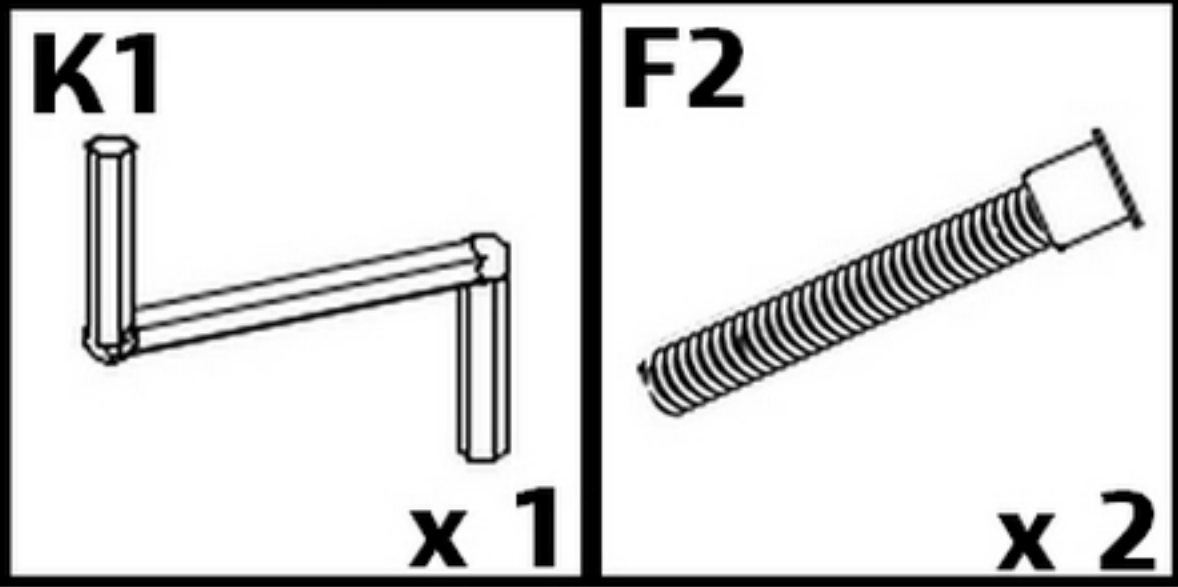
M3  x 6	E1  8x30 x 6
--	--





x 3

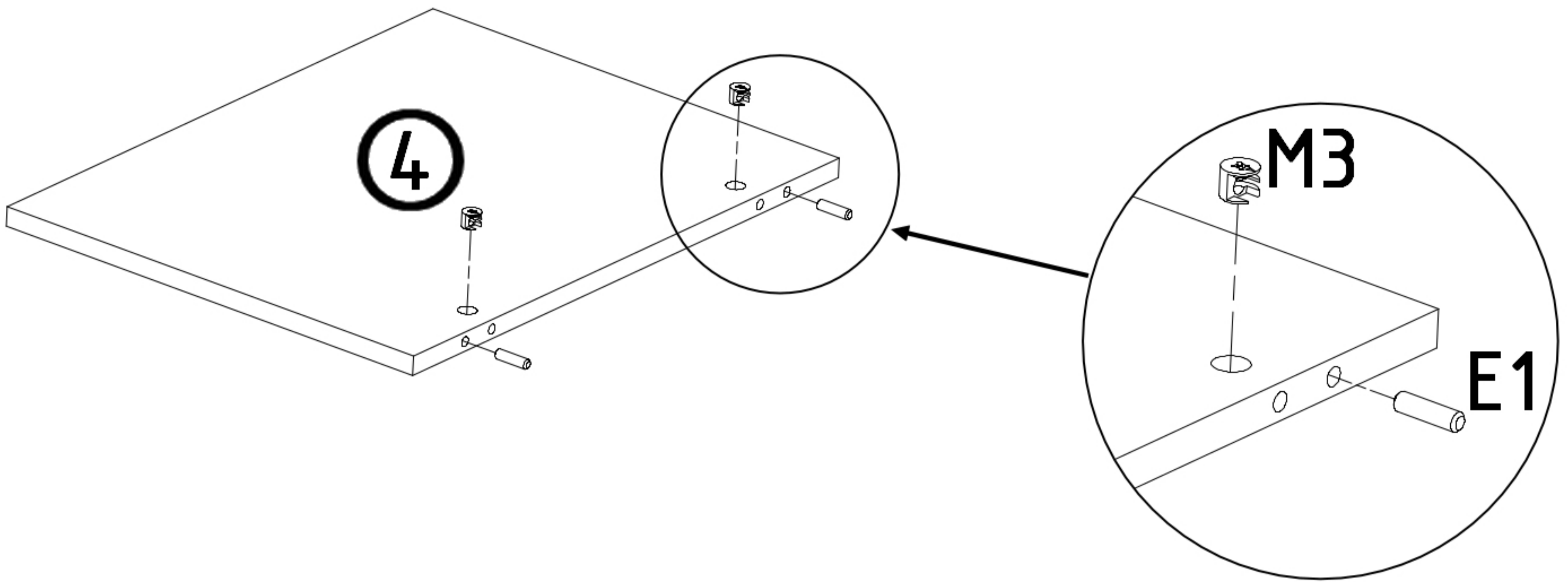
N2  20,3 x 4






4

M3  x 2	E1  8x30 x 2
--	---



T1  x 4

