



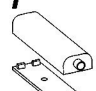




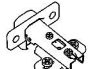


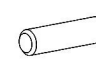
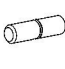


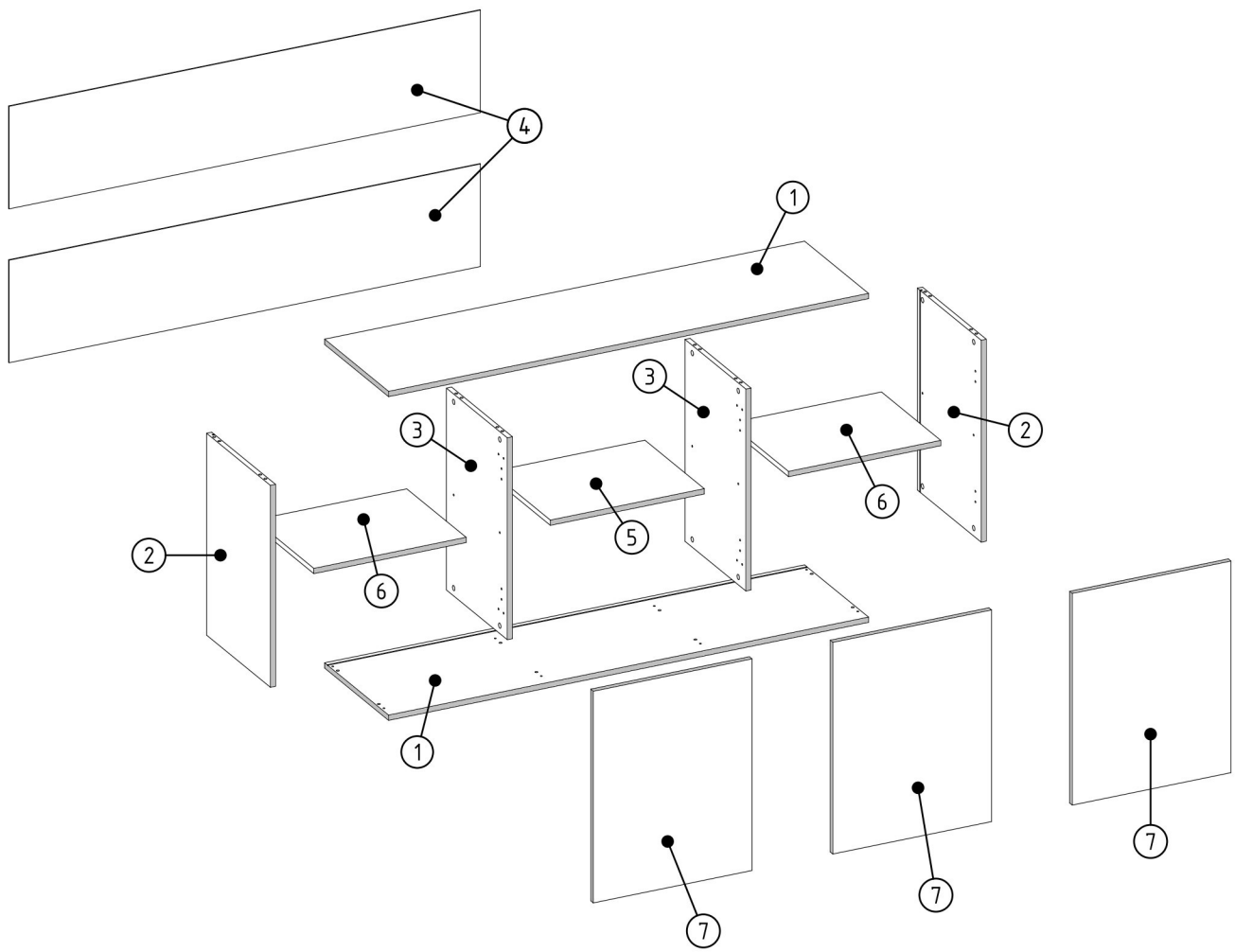


**V30**  
  
 x20

<b>B5</b>  x6	<b>T5</b>  x5	<b>B1</b>  CZ ø17/5-4mm x16	<b>B1</b>  S-A ø17/5-4mm x16	<b>V7</b>  x3	<b>S7</b>  4x16mm x20	<b>A3</b>  ZB x2	<b>V13</b>  x1
<b>Z1</b>  x20	<b>A1</b>  ZP x4	<b>S1</b>  3,5x16mm x12	<b>M1</b>  12x15mm x16	<b>E1</b>  8x30mm x16	<b>V16</b>  5x16mm x12	<b>N1</b>  L=35mm x16	<b>R1</b>  6x8mm x6

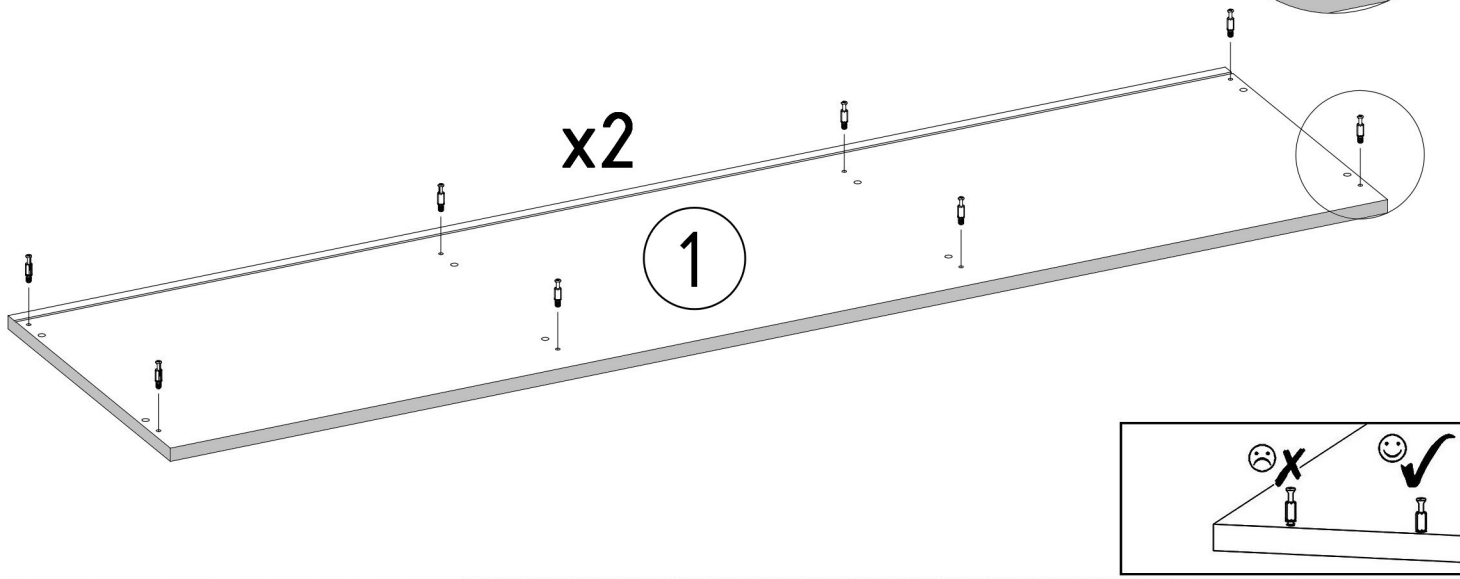



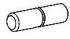

<b>1</b>	x	2
<b>2</b>	x	2
<b>3</b>	x	2
<b>4</b>	x	2
<b>5</b>	x	1
<b>6</b>	x	2
<b>7</b>	x	3

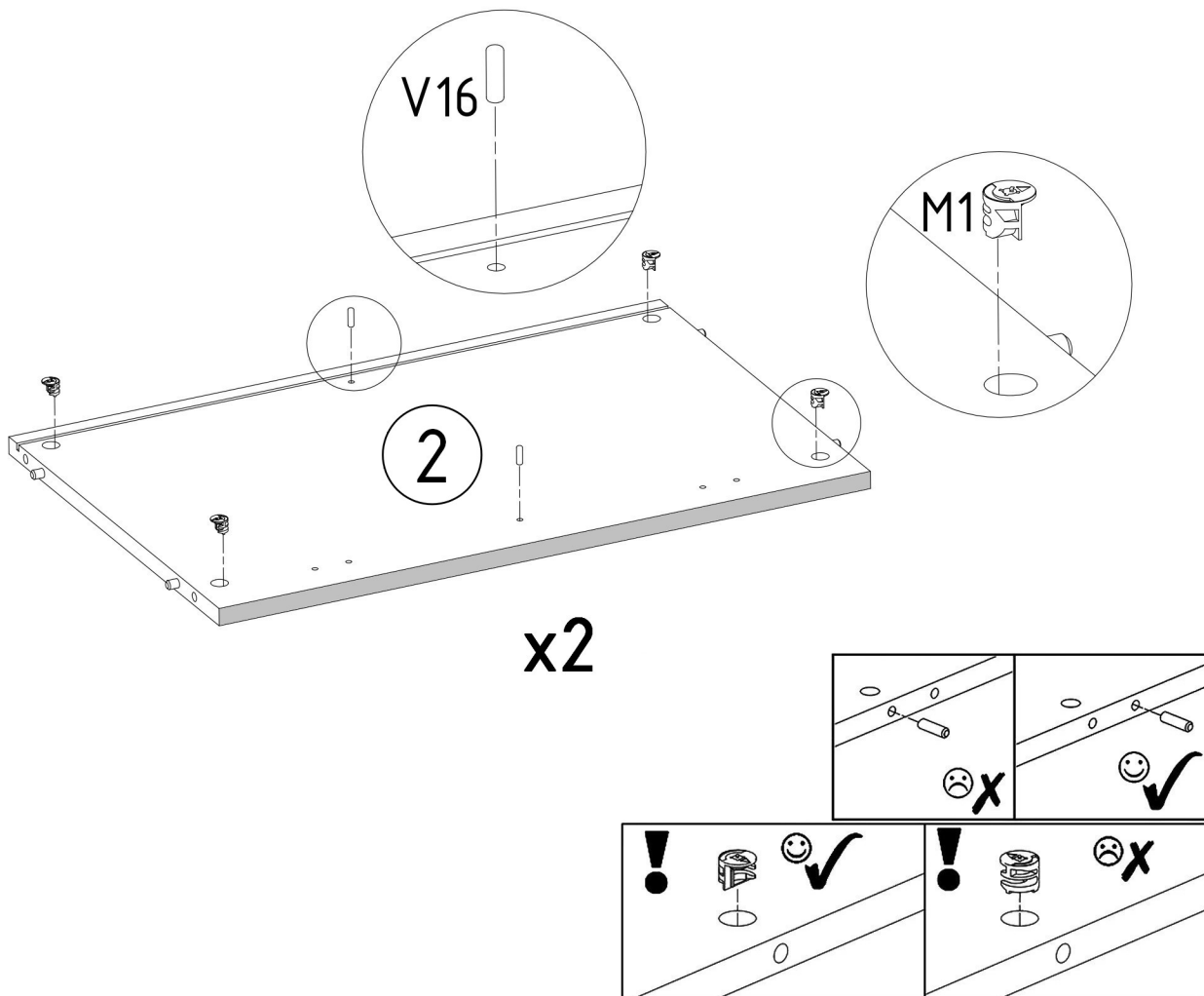
**N1**



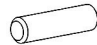


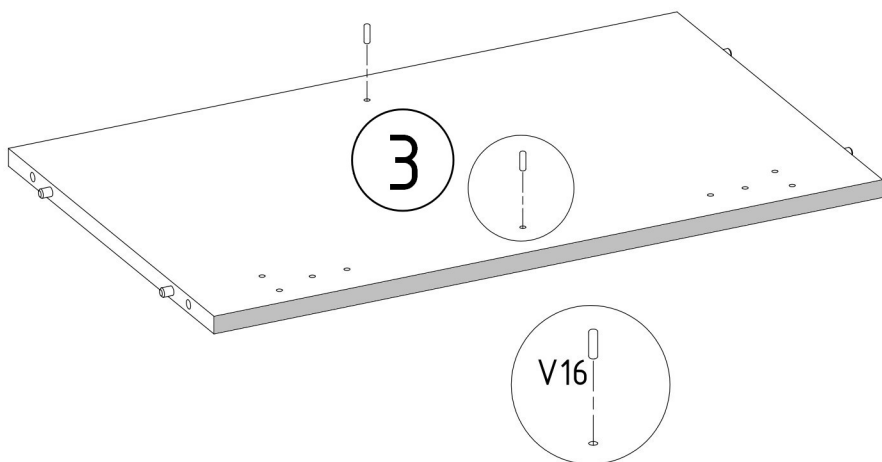
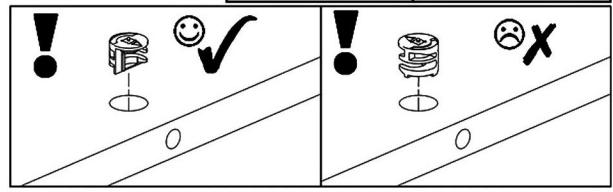
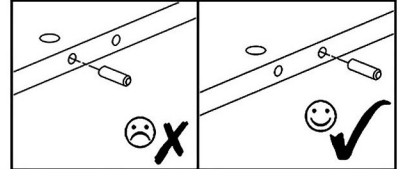
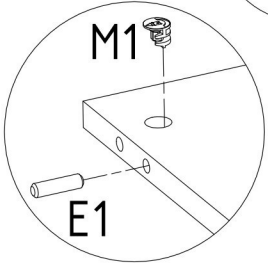
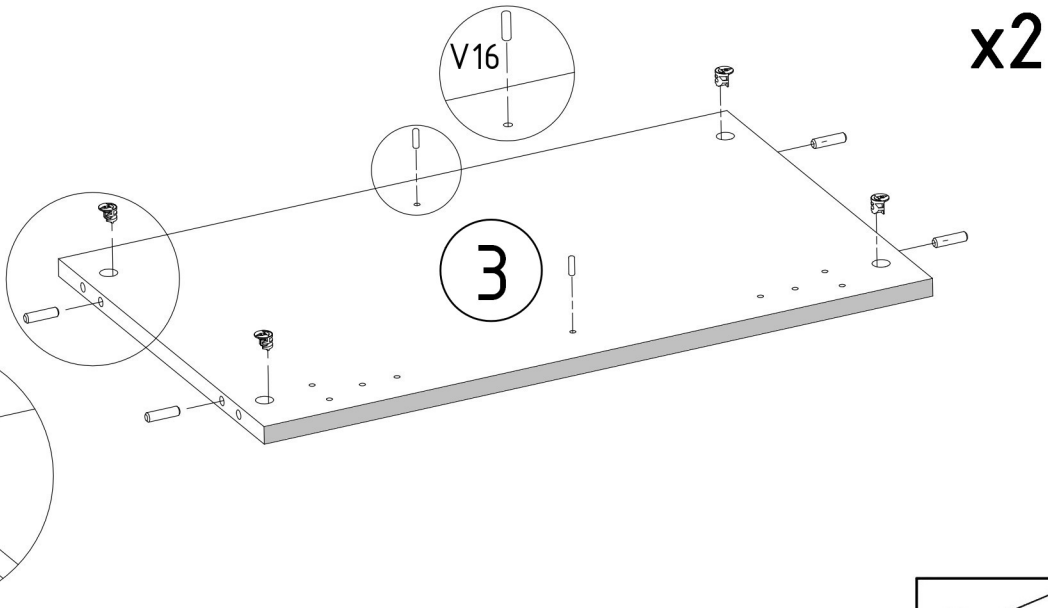
L=35mm x16

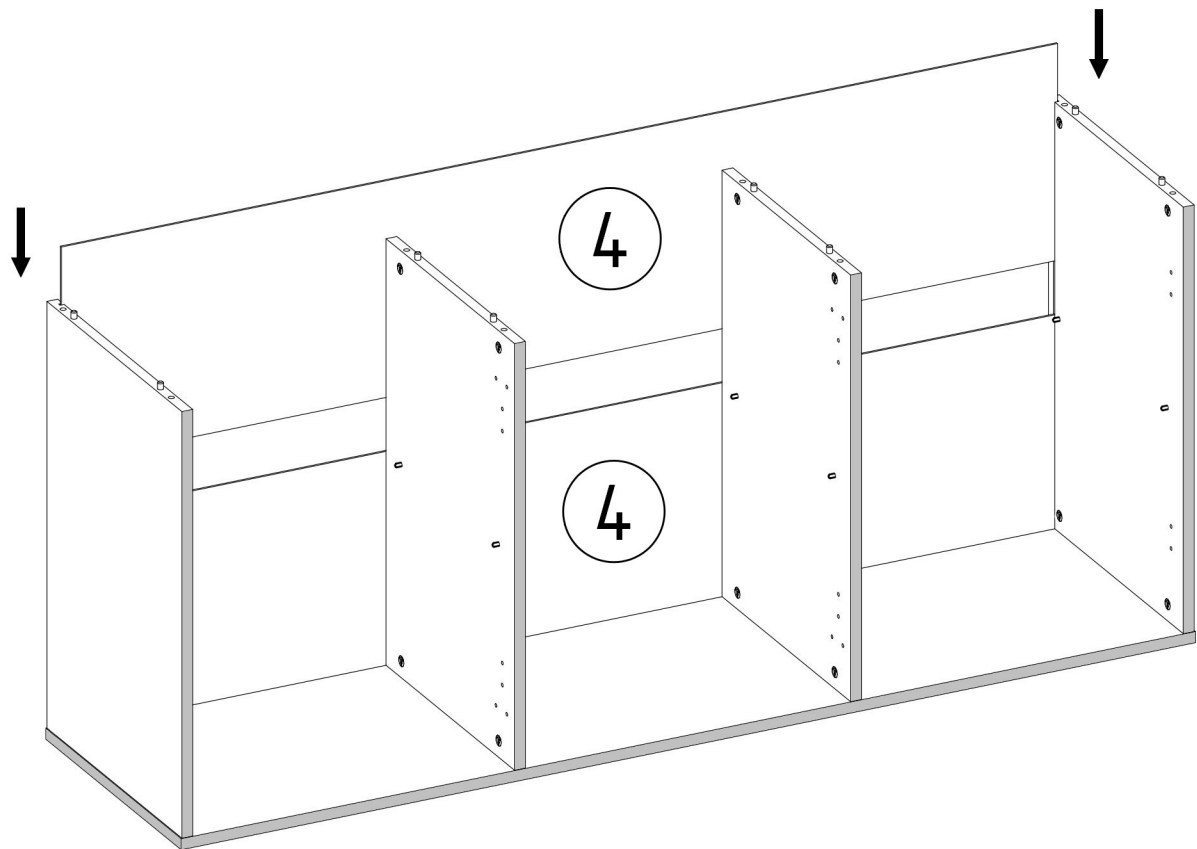
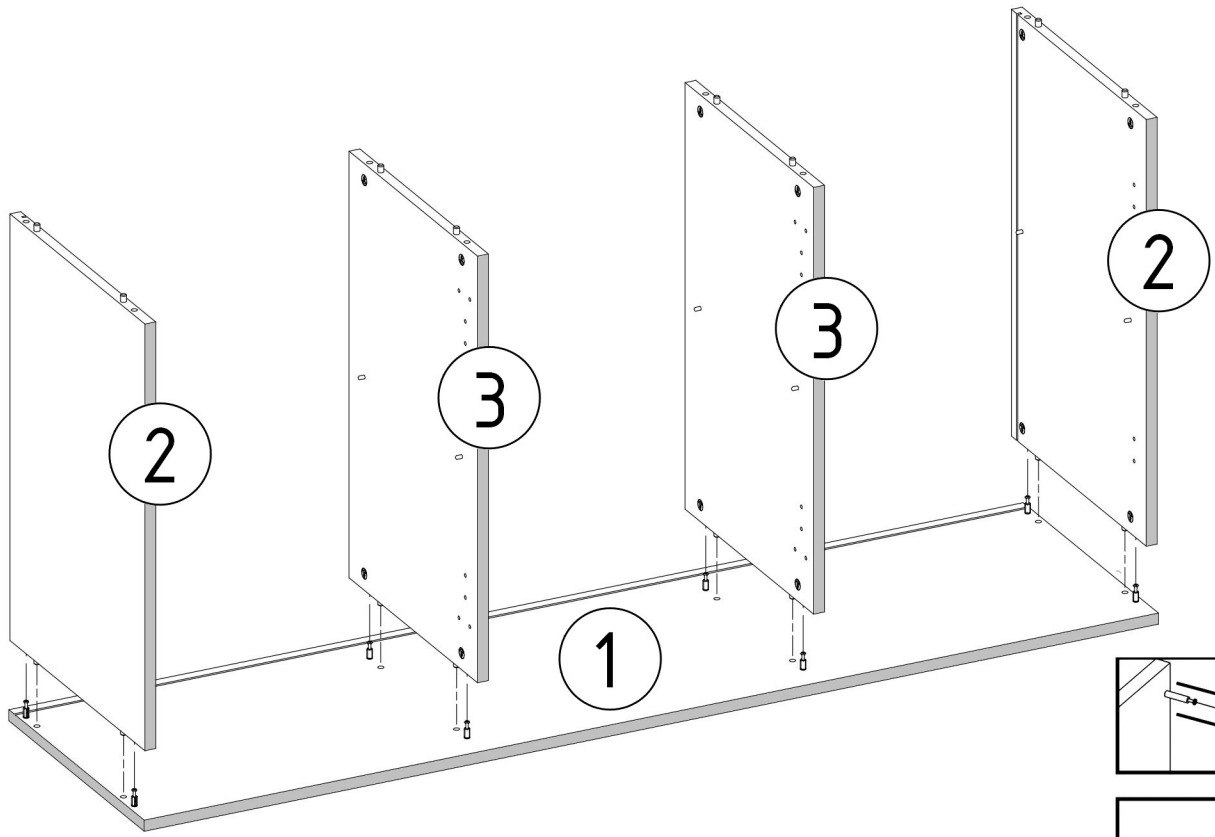


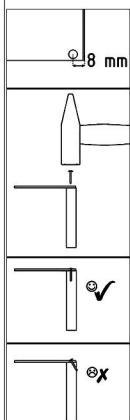
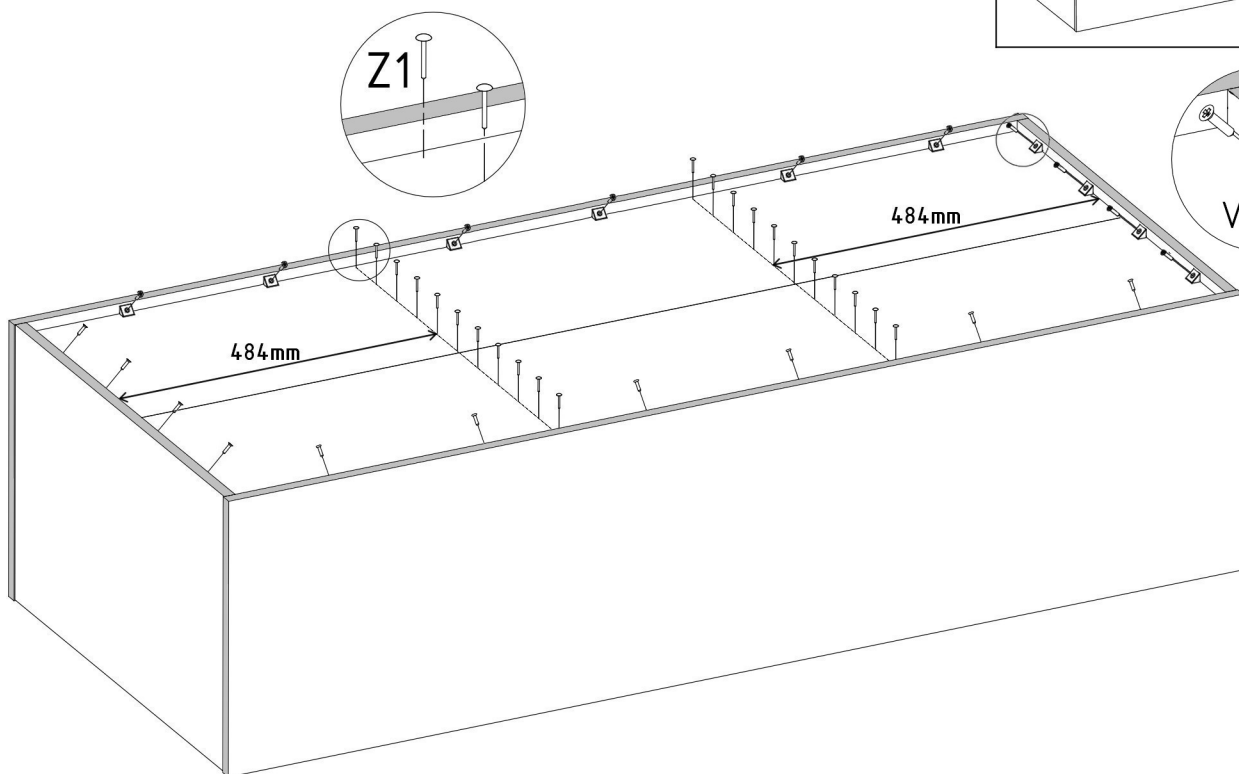
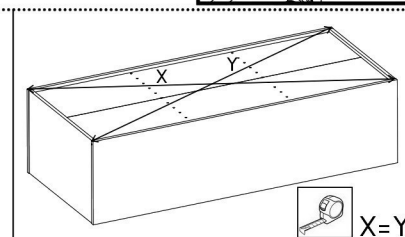
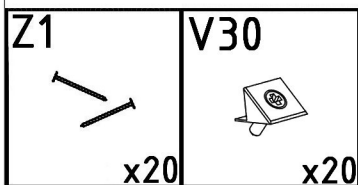
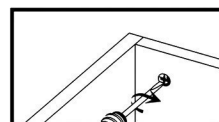
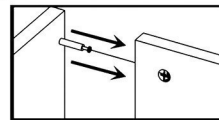
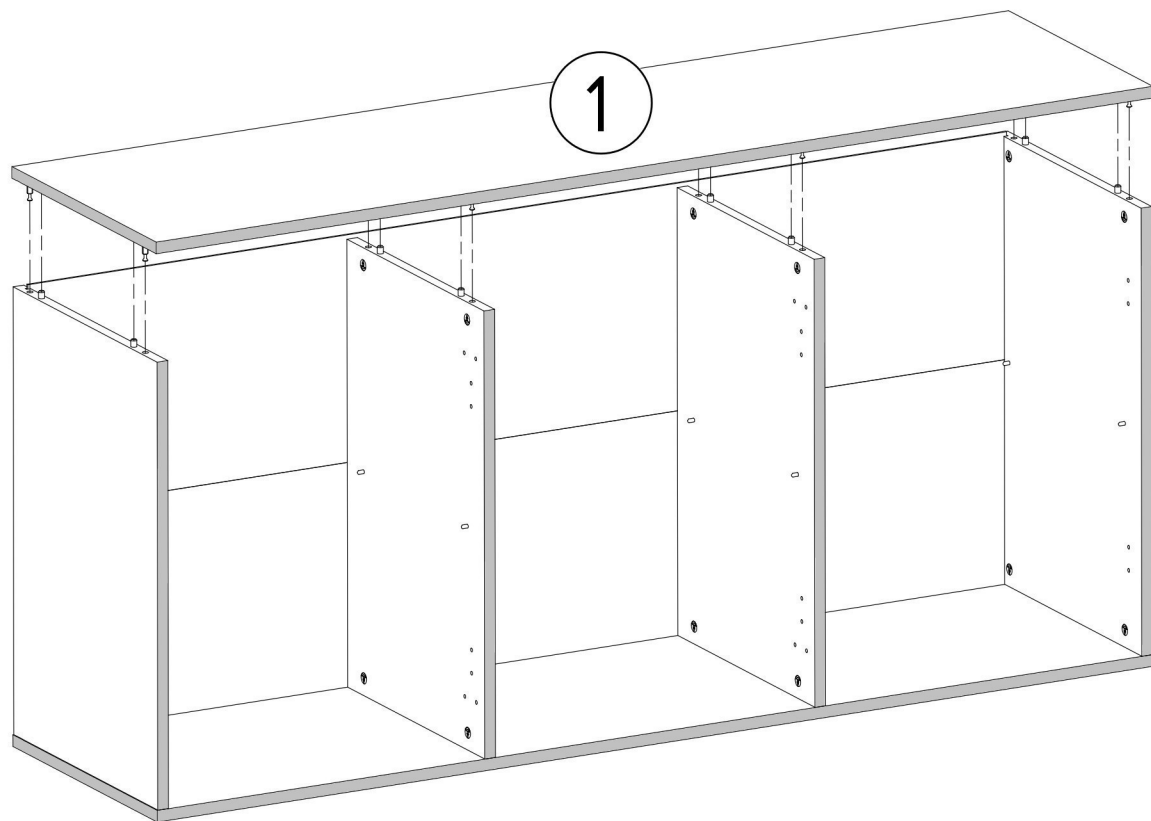
<b>M1</b>	<b>V16</b>	<b>E1</b>
		
12x15mm x8	5x16mm x4	8x30mm x8






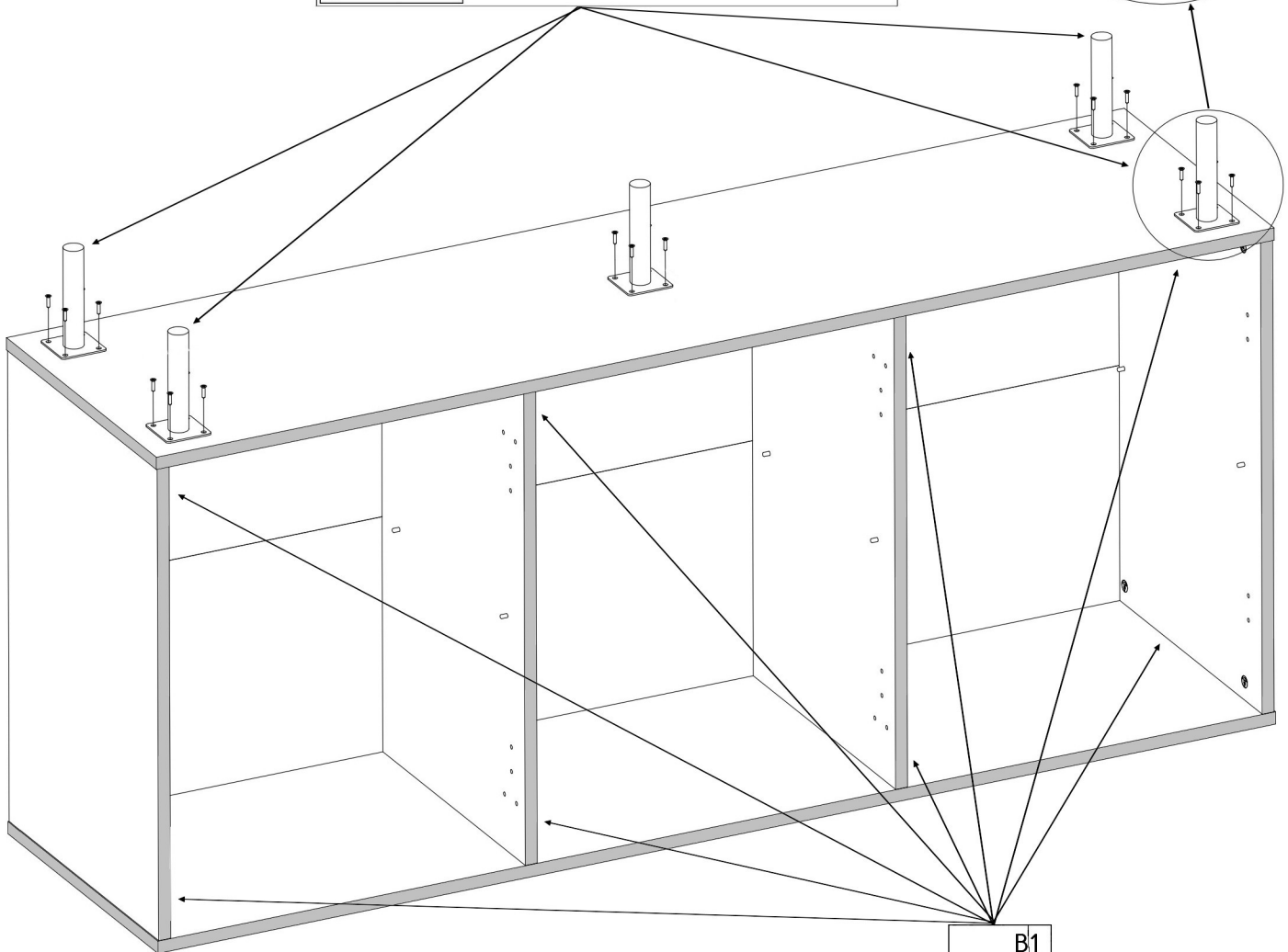
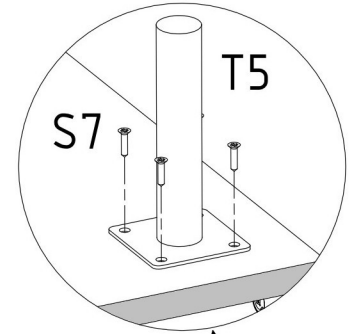
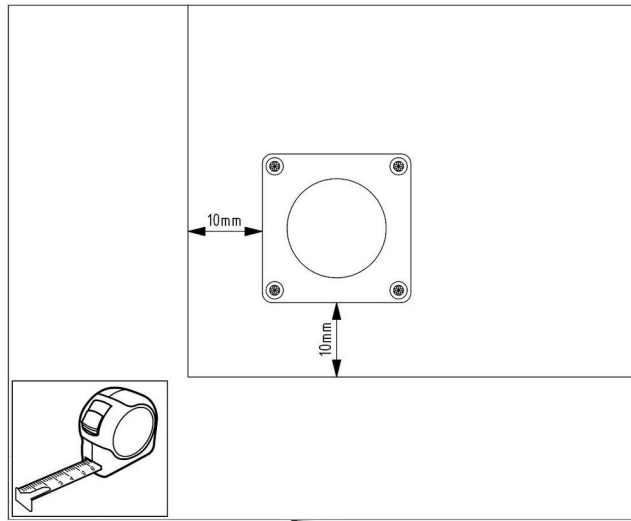
<b>M1</b>  12x15mm x8	<b>V16</b>  5x16mm x8	<b>E1</b>  8x30mm x8
---	--	---











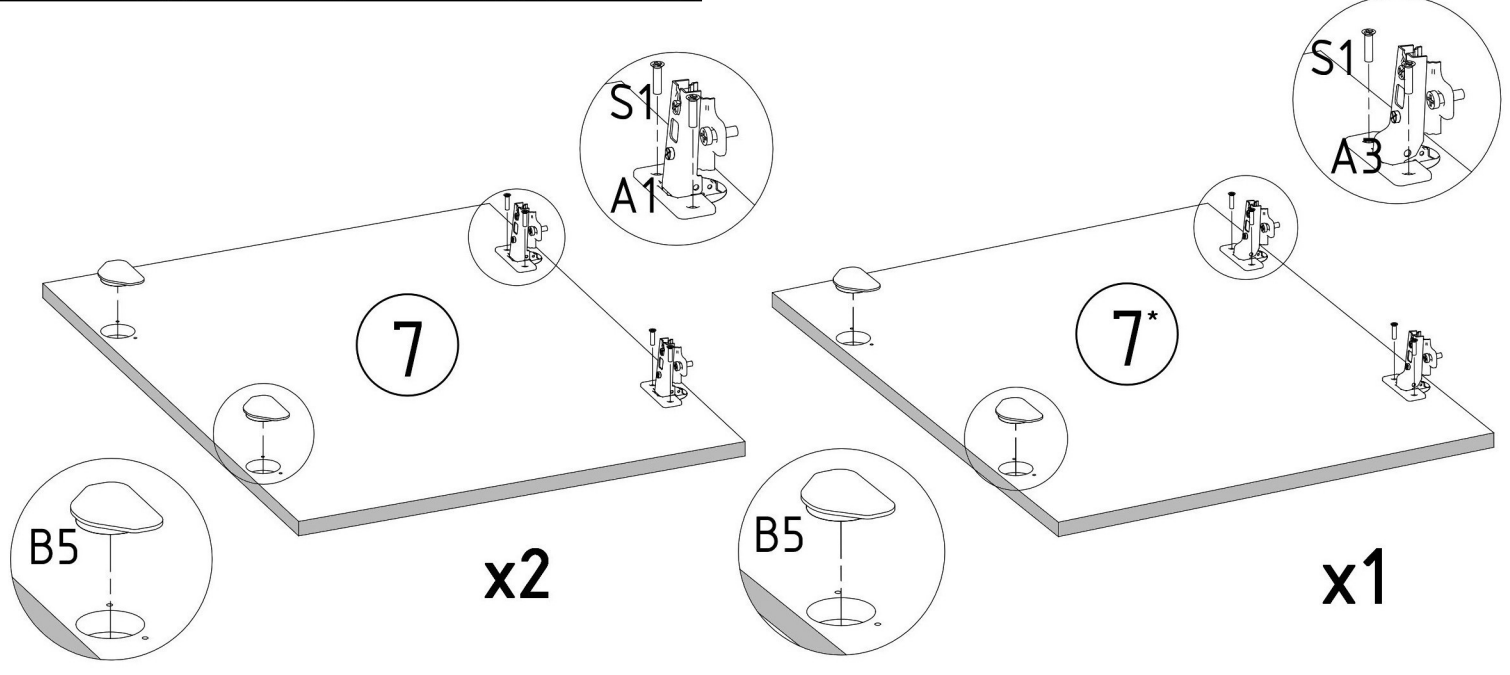


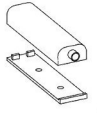

<b>B1</b>  ø17/5-4mm x16	<b>S7</b>  4x16mm x20	<b>T5</b>  x5
--	--	---



<b>M1</b> 	<b>B1</b> 
--	--

<b>A1</b>  ZP x4	<b>S1</b>  3,5x16mm x12	<b>B5</b>  x6	<b>A3</b>  ZB x2
---	---	--	--



<b>V7</b>  x3	<b>R1</b>  6x8mm x6
--	---

