







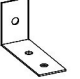






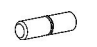


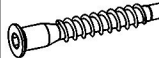
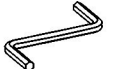
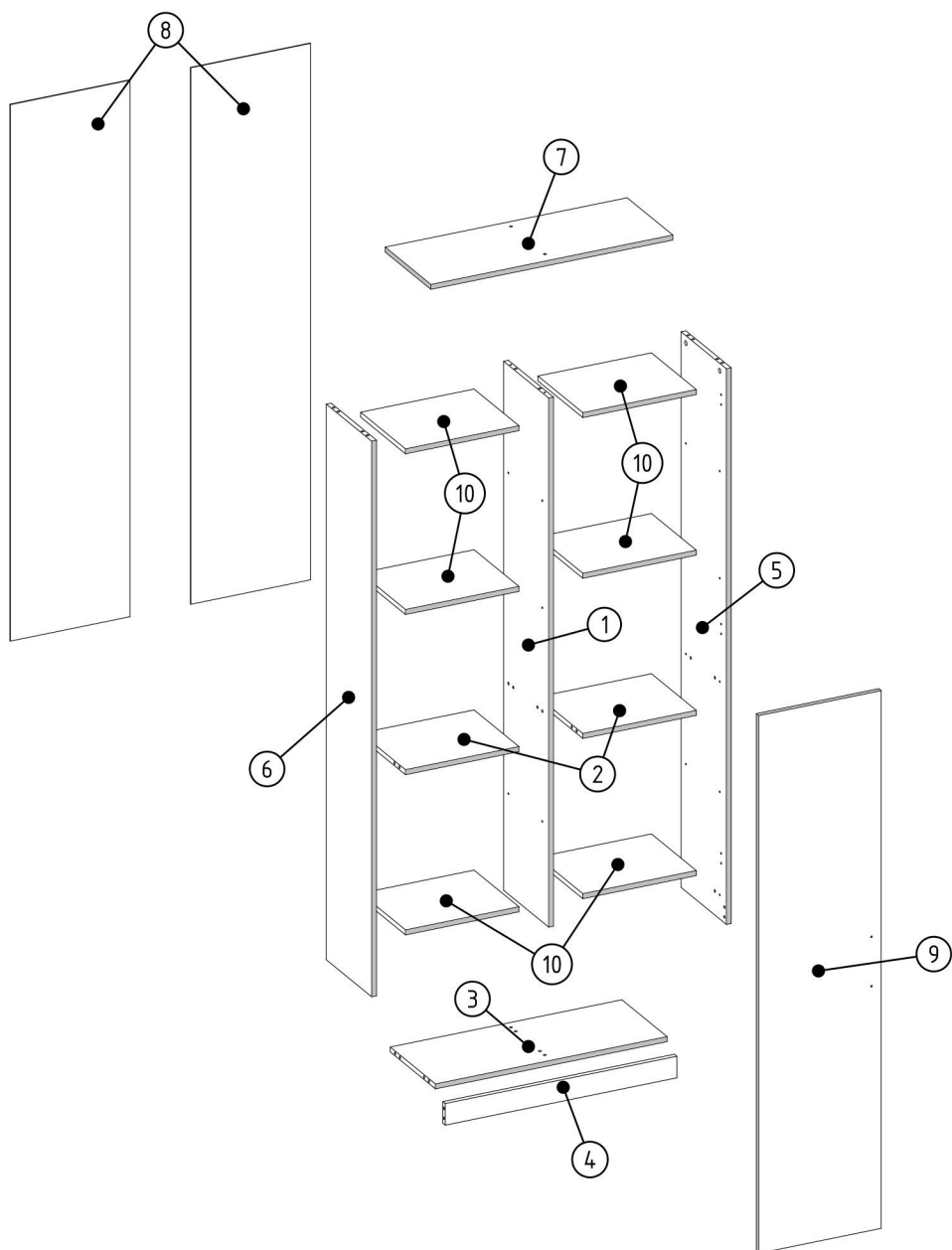


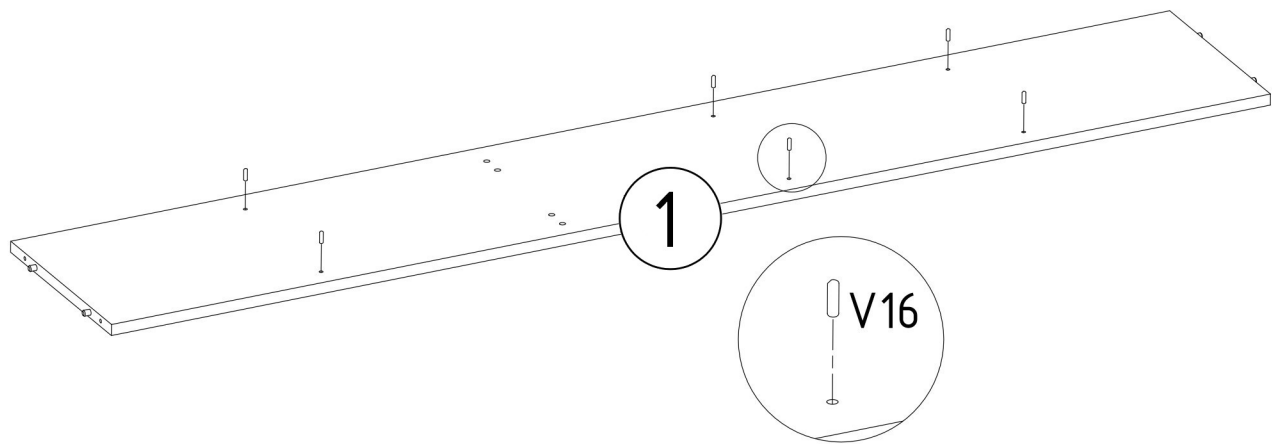
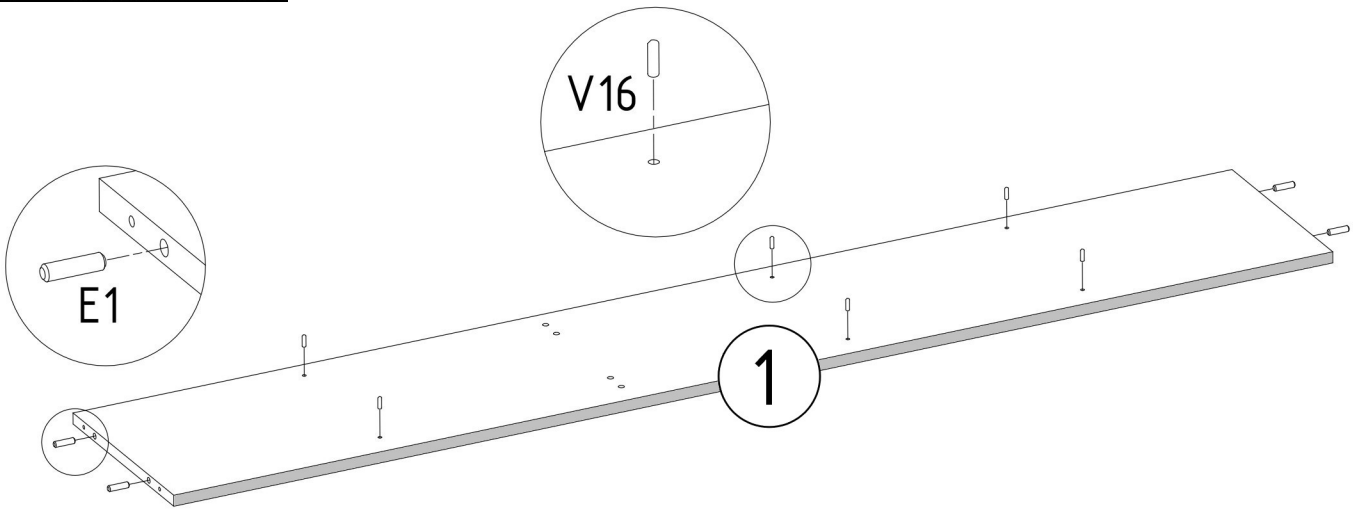
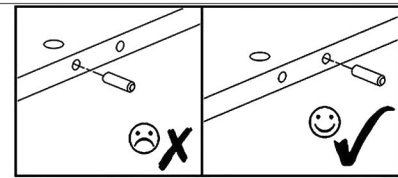


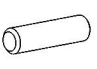

<p>B1</p>  <p>B ø17/4mm x2</p>	<p>B1</p>  <p>S-A ø17/4mm x2</p>	<p>B1</p>  <p>Ant ø17/4mm x2</p>	<p>B1</p>  <p>Cz ø17/4mm x2</p>				
<p>A1</p>  <p>ZP x3</p>	<p>S1</p>  <p>3,5x16mm x8</p>	<p>U6</p>  <p>L=208/160mm x1</p>	<p>R8</p>  <p>4x30mm x2</p>	<p>V18</p>  <p>x1</p>	<p>Z1</p>  <p>x120</p>	<p>V15</p>  <p>x20</p>	<p>T1</p>  <p>x5</p>
<p>M1</p>  <p>12x15mm x16</p>	<p>N1</p>  <p>L=35mm x12</p>	<p>E1</p>  <p>8x30mm x20</p>	<p>V16</p>  <p>5x16mm x24</p>	<p>N4</p>  <p>L=62mm x2</p>	<p>E3</p>  <p>8x50mm x2</p>	<p>F1</p>  <p>7x50mm x4</p>	<p>F3</p>  <p>Hex 4mm x1</p>

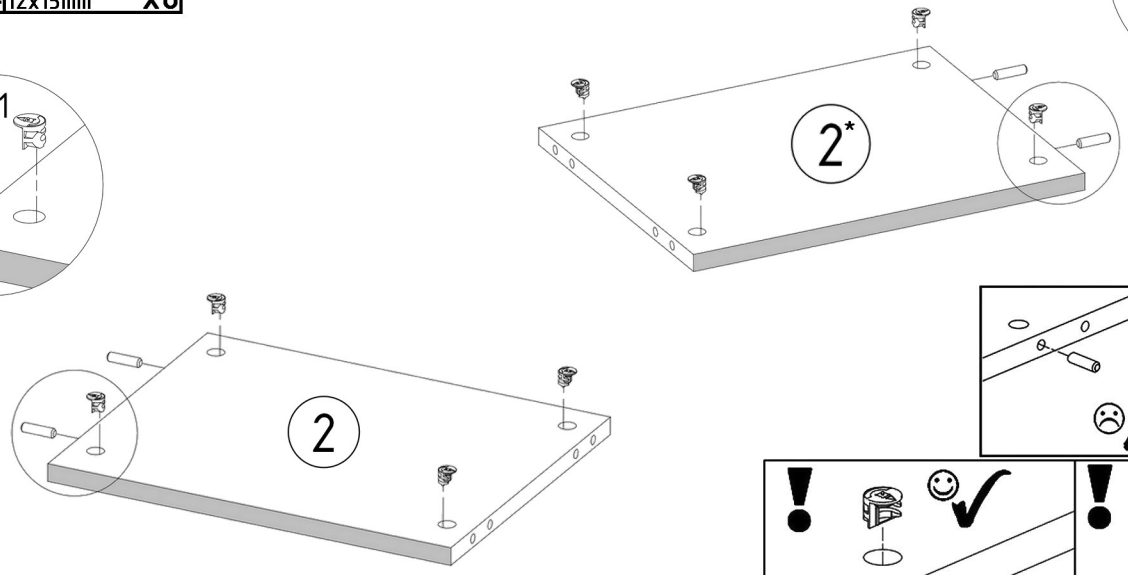
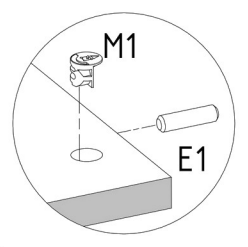
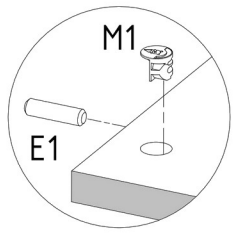




1	x	1
2	x	2
3	x	1
4	x	1
5	x	1
6	x	1
7	x	1
8	x	2
9	x	1
10	x	6

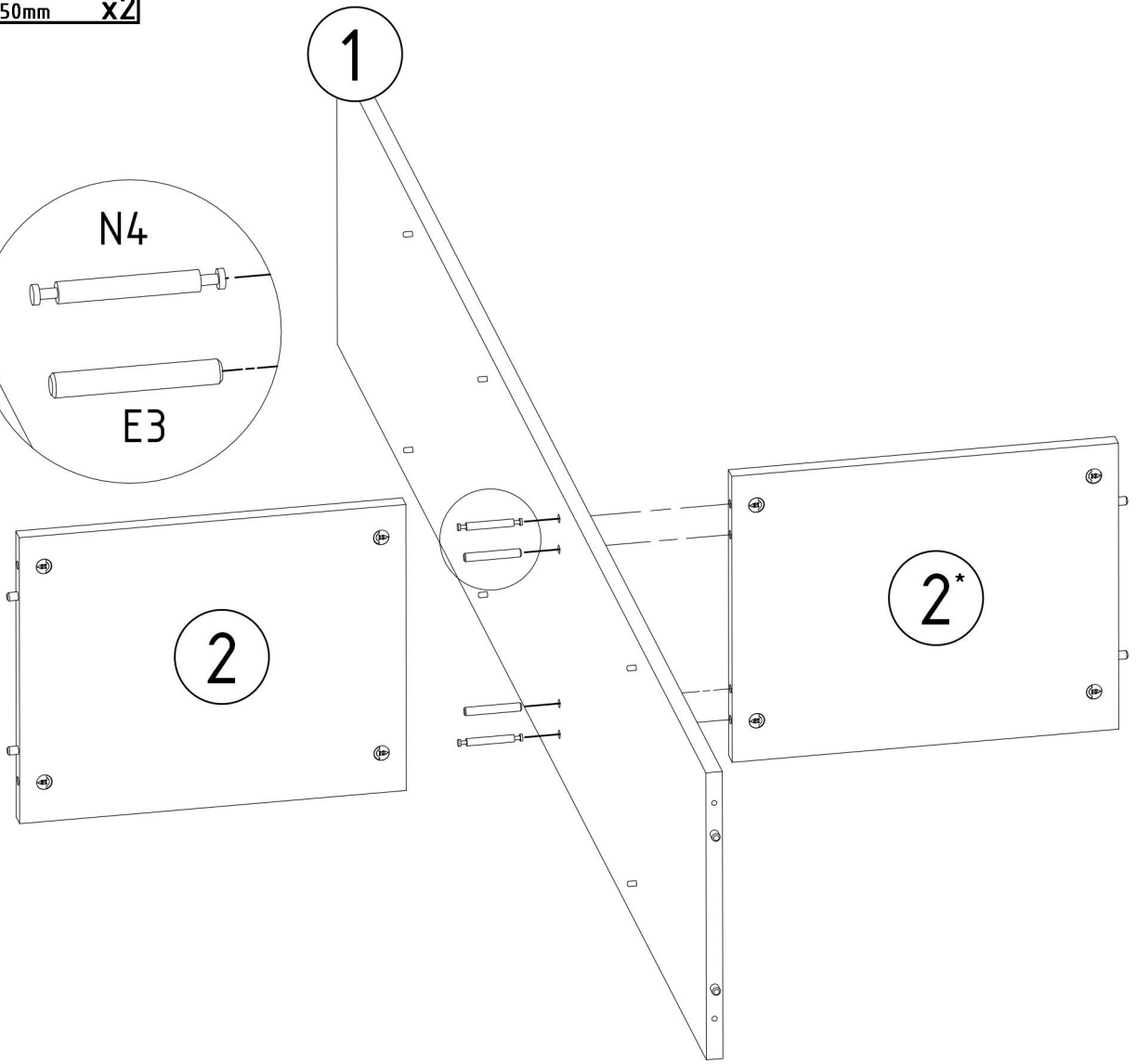
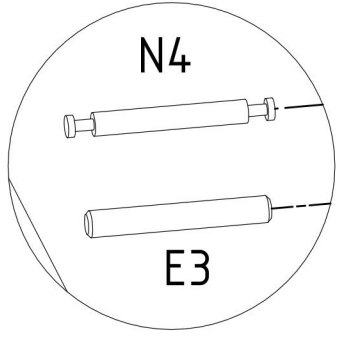
E1  8x30mm	V16  4.5x16mm
x4	x12


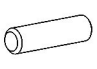


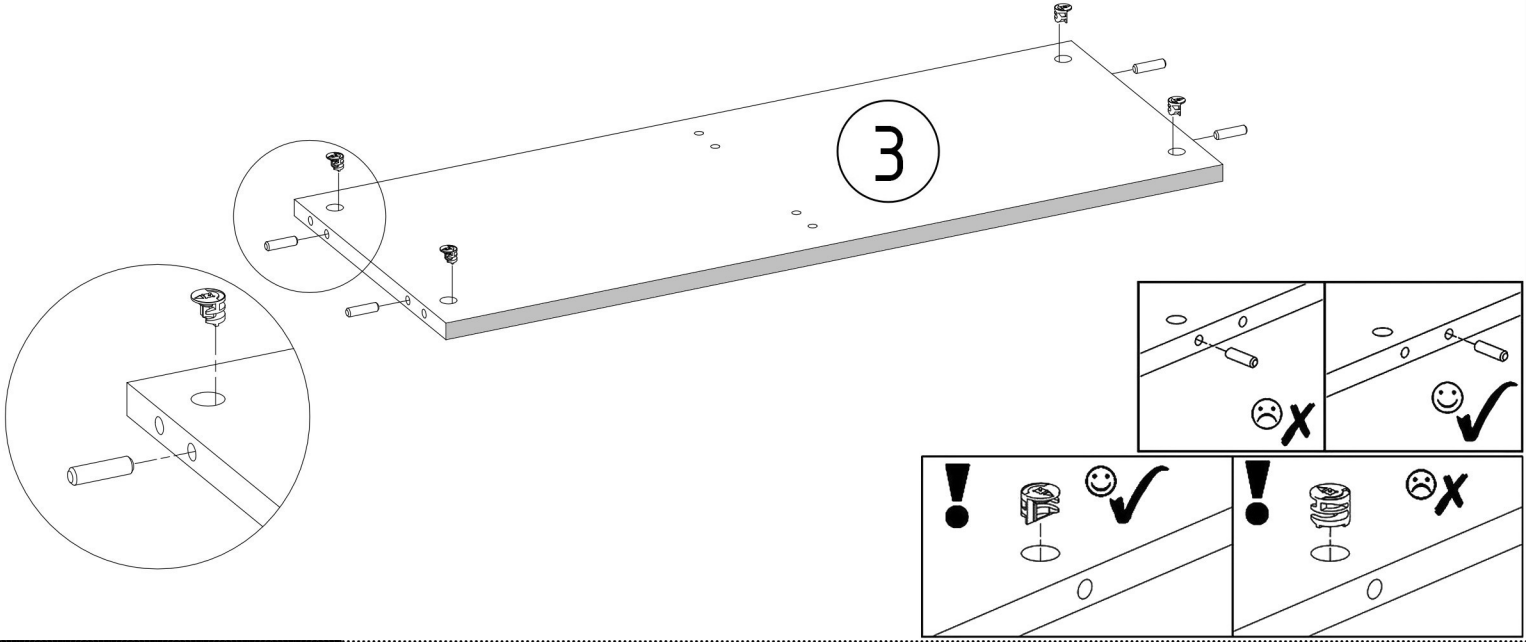
E1  8x30mm	M1  12x15mm
x4	x8

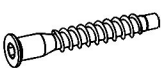
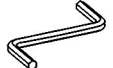


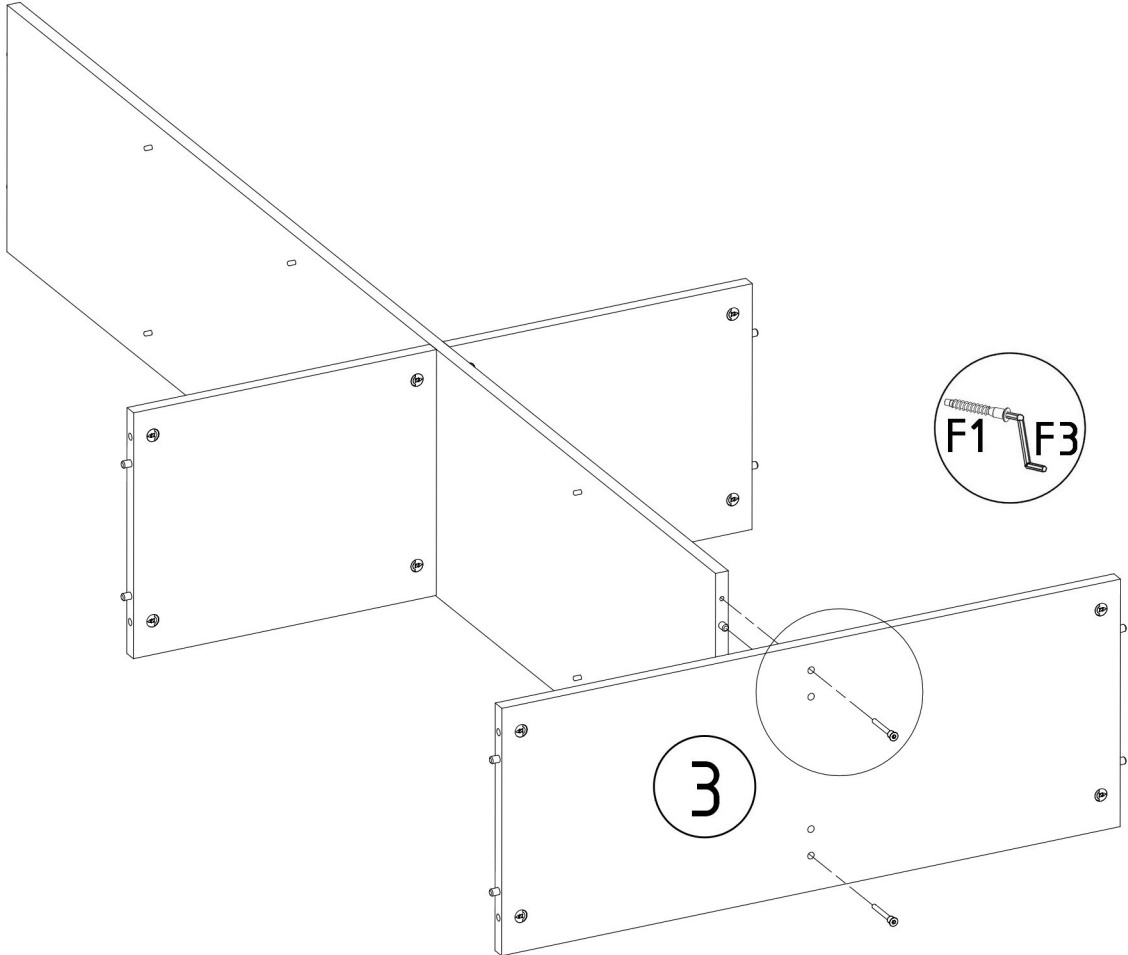
N4  L=62mm	E3  8x50mm
x2	x2

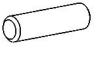



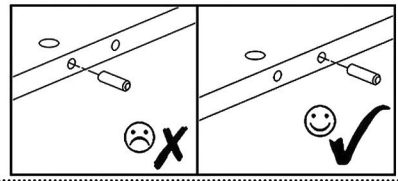
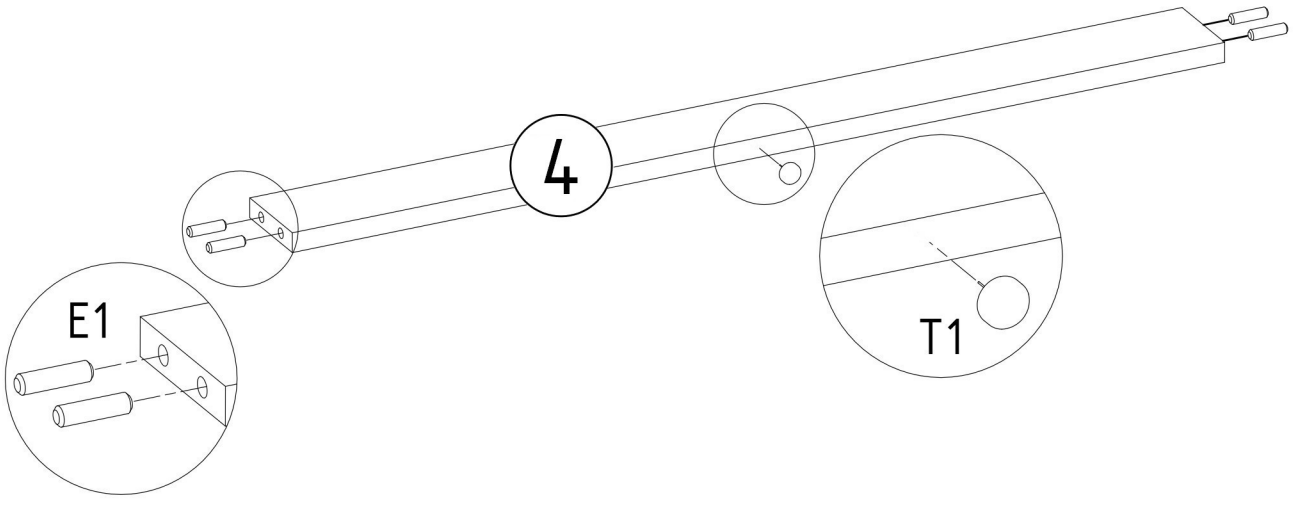
M1  12x15mm X4	E1  8x30mm X4
---	---




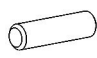
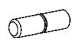


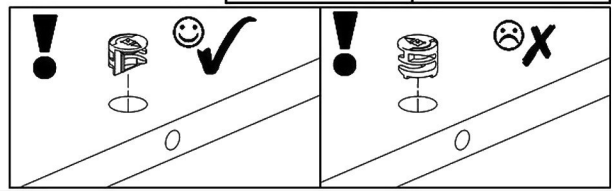
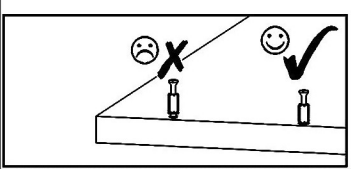
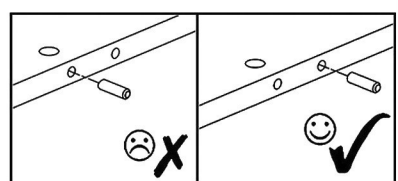
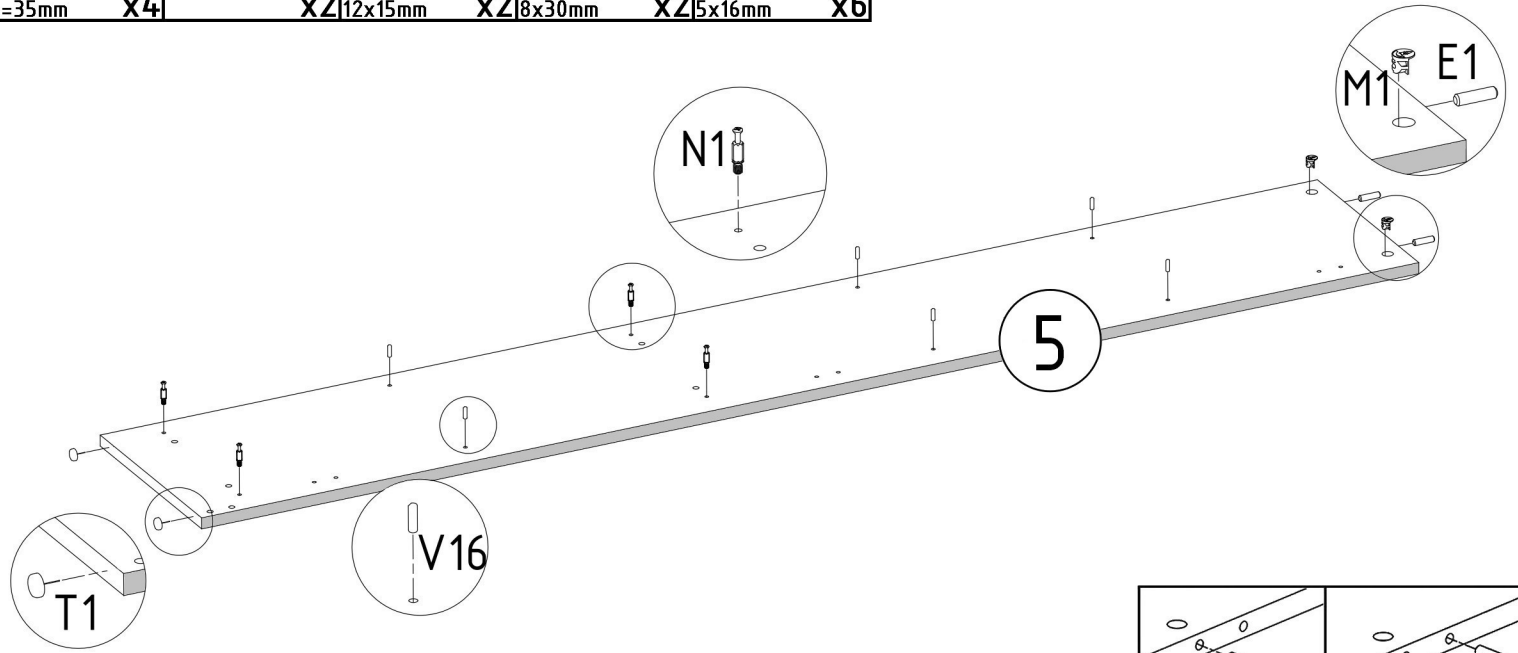
F1  7x50mm X2	F3  Hex 4mm
--	---








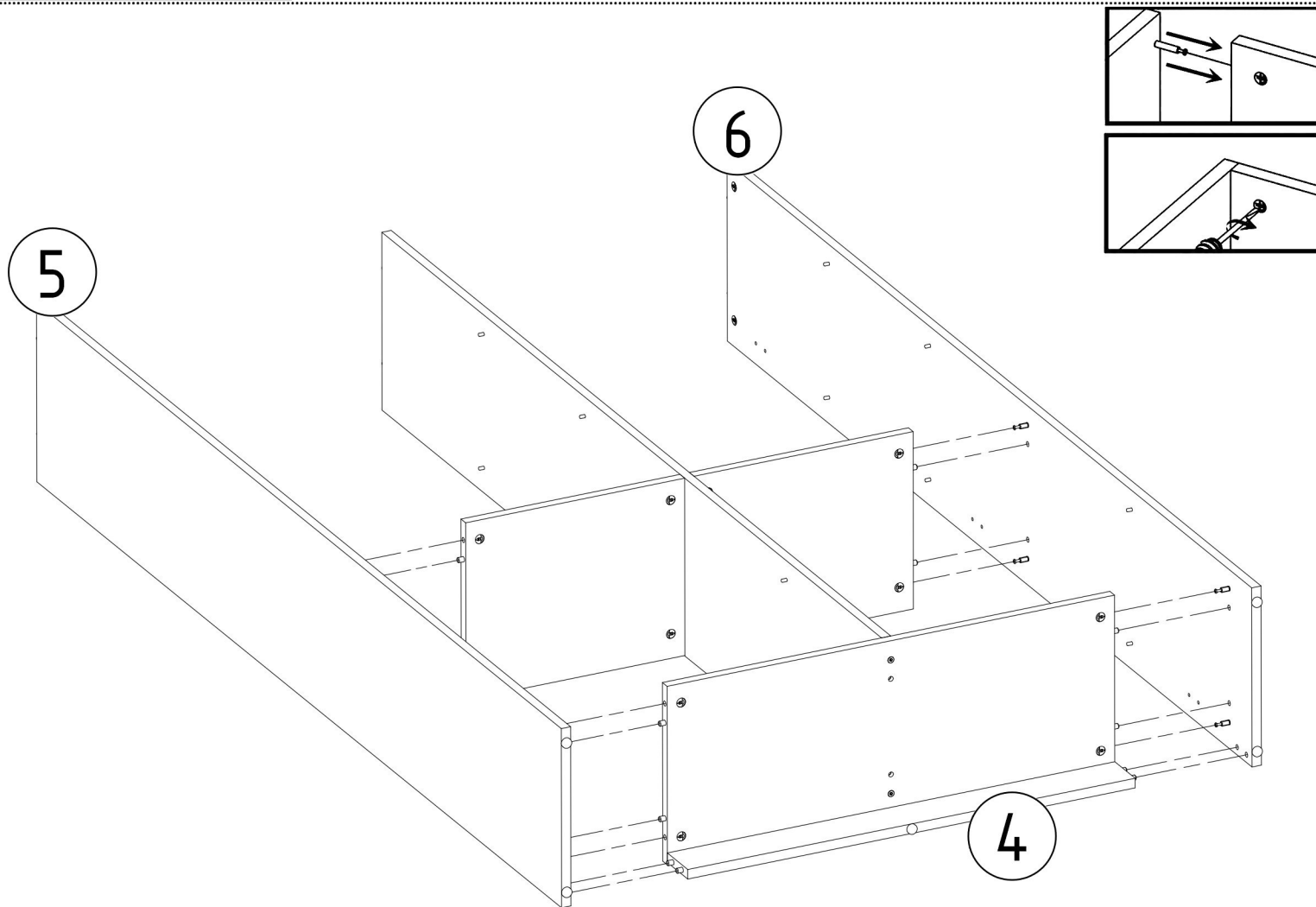
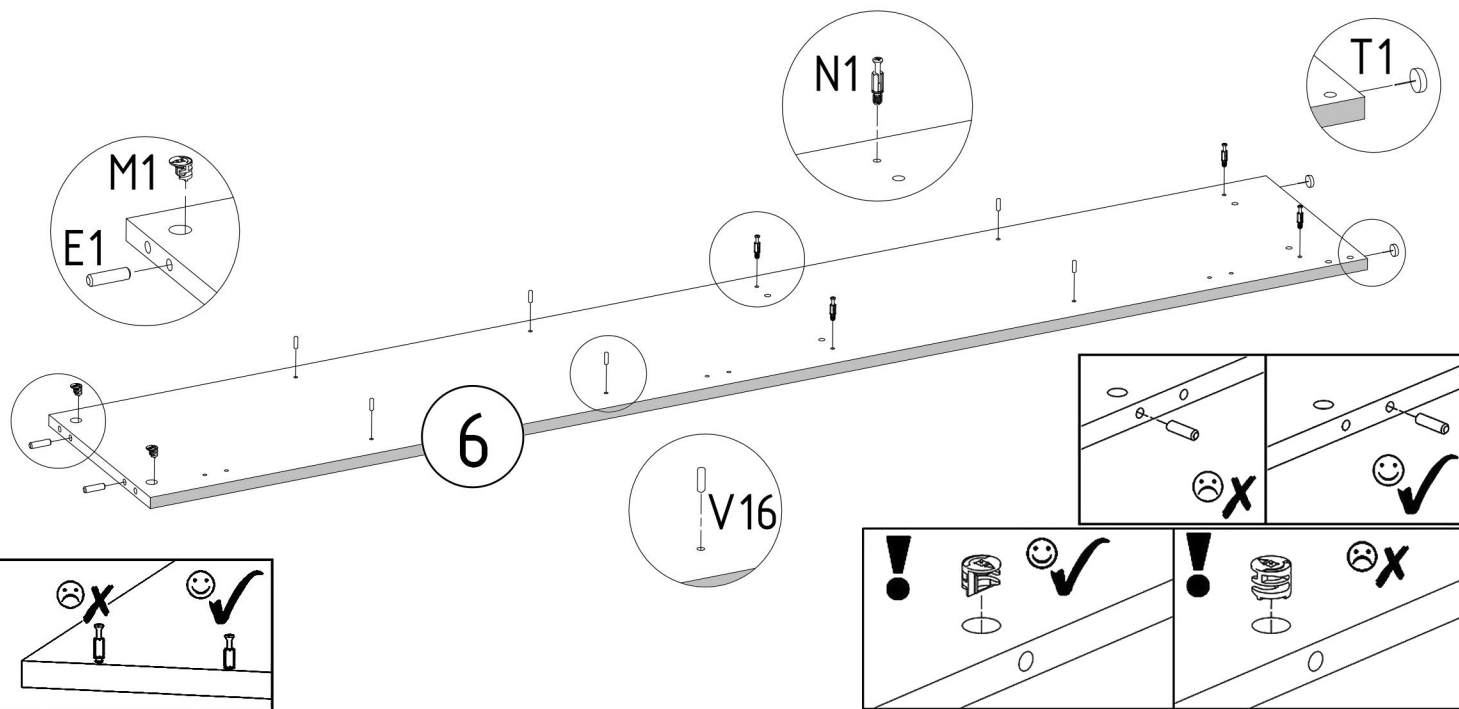
E1  8x30mm x4	T1  x1
--	--




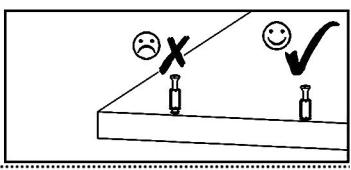
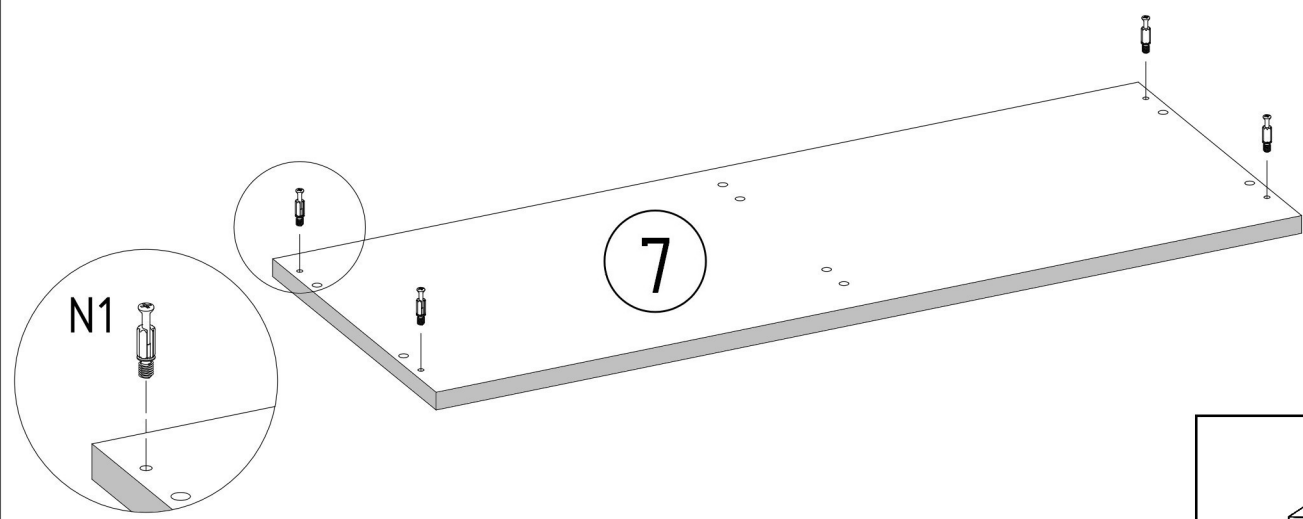
N1  L=35mm x4	T1  x1	M1  12x15mm x2	E1  8x30mm x2	V16  5x16mm x6
--	--	--	---	--

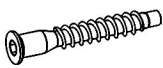
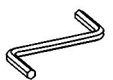


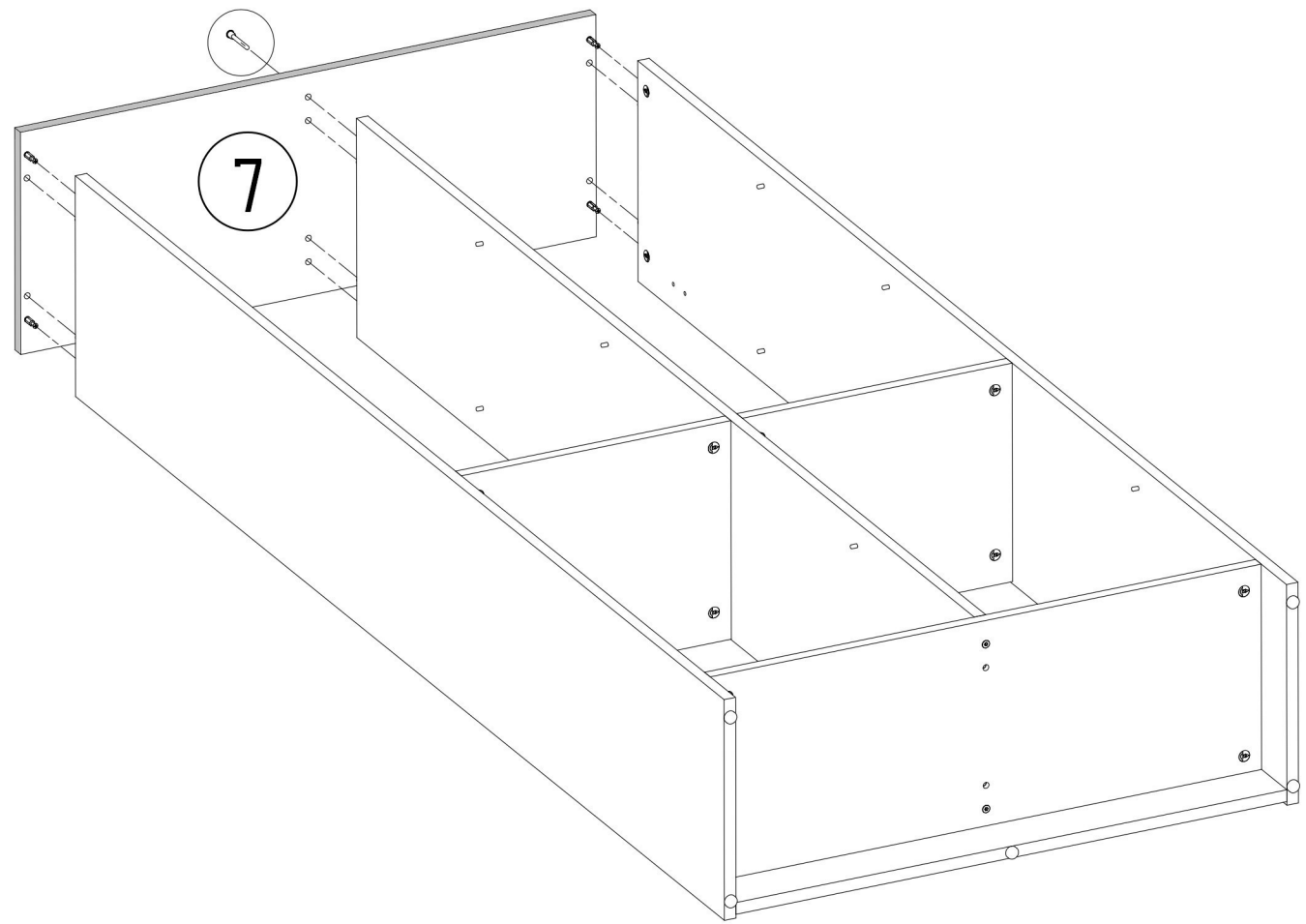
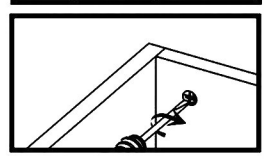
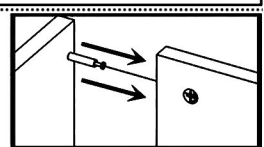
M1  12x15mm x2	N1  L=35mm x4	V16  5x16mm x6	T1  x2	E1  8x30mm x2
---	---	--	--	---

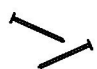



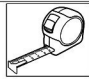
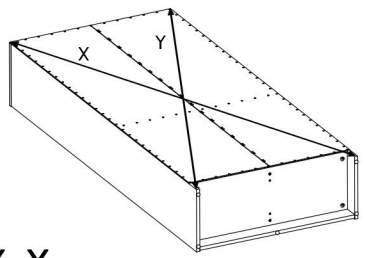
N1

L=35mm **X4**



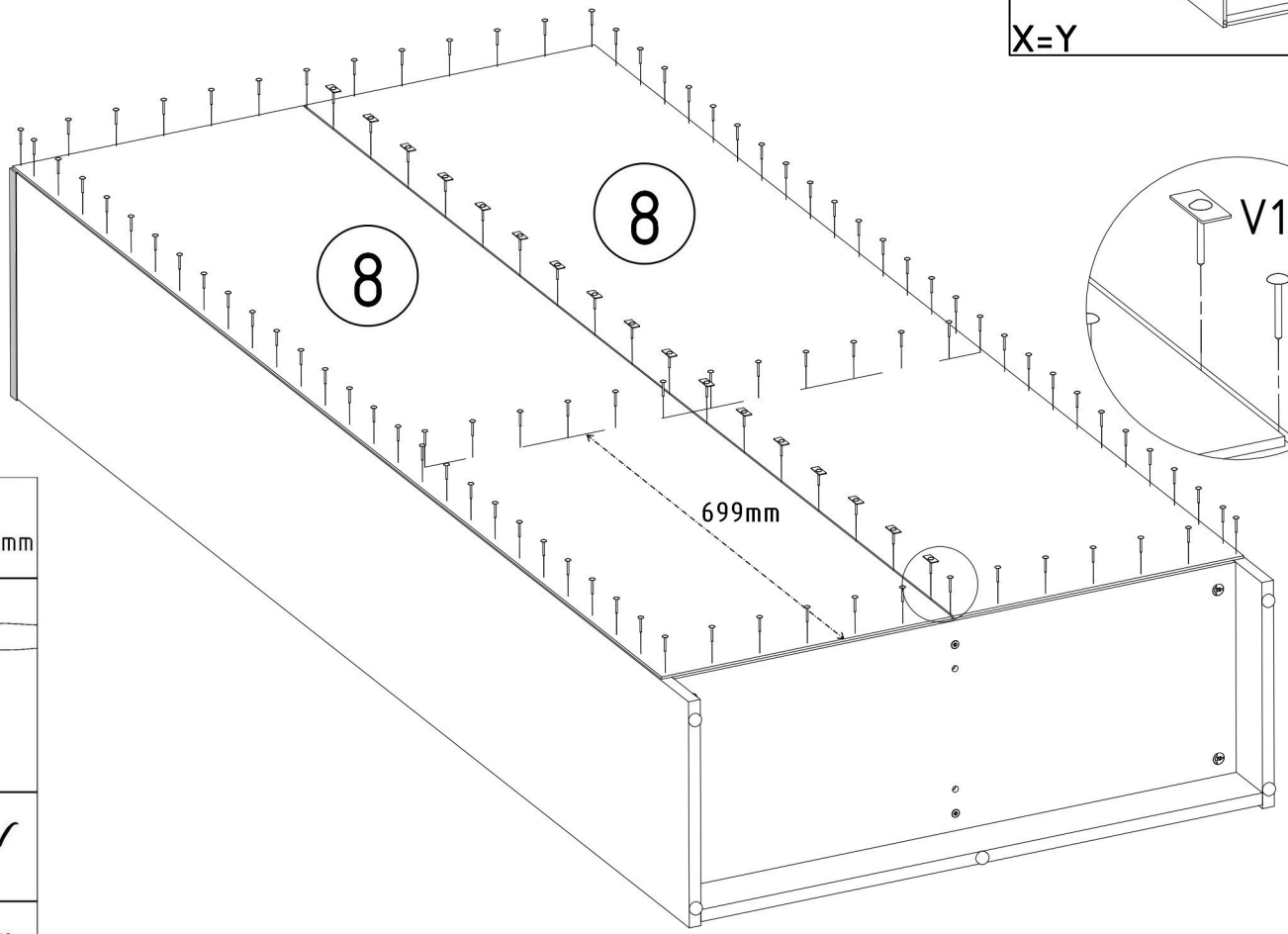
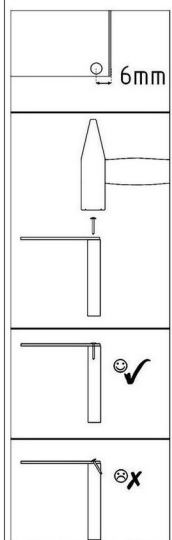
F1 **F3**
 
7x50mm **X2** Hex 4mm



<p>Z1</p>  <p>x120</p>	<p>V15</p>  <p>x20</p>
---	--




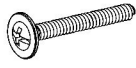
X=Y

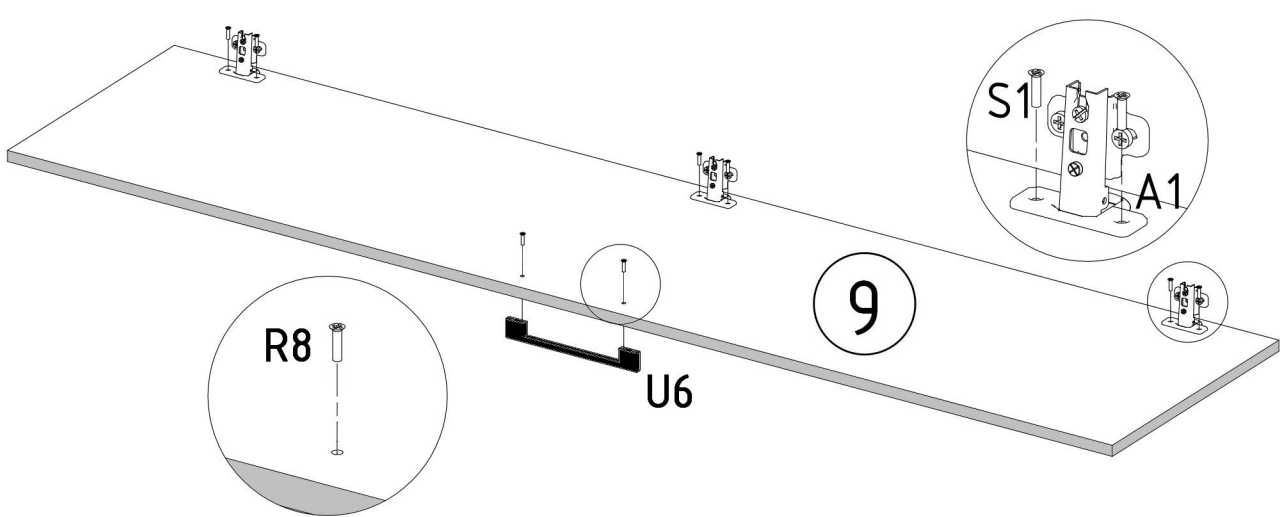






6mm

✓

⊗

<p>A1</p>  <p>ZP</p>	<p>S1</p>  <p>x3 3,5x16mm</p>	<p>U6</p>  <p>x6 L=208/160mm</p>	<p>R8</p>  <p>x1 4x30mm</p> <p>x2</p>
---	---	--	---



V18 	S1 	B1 
x1 3,5x16mm	x2 \varnothing 17/4mm	x2

