


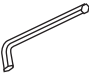


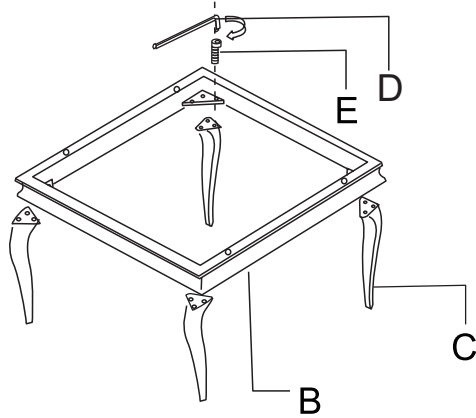


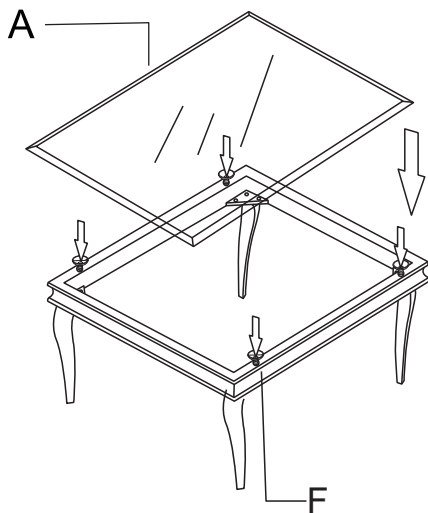
# PRINCE B CERAMIC 55X55

A - 1PC	B - 1PC	C - 4PCS	D - 1PC
			
E - 12PCS	F - 4PCS		
			

1



2



3

