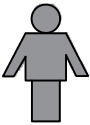


ASSEMBLY INSTRUCTIONS

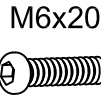
MODEL.NO. TP-06 ALTO



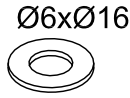
Ax1



Bx1



M6x20
Cx3

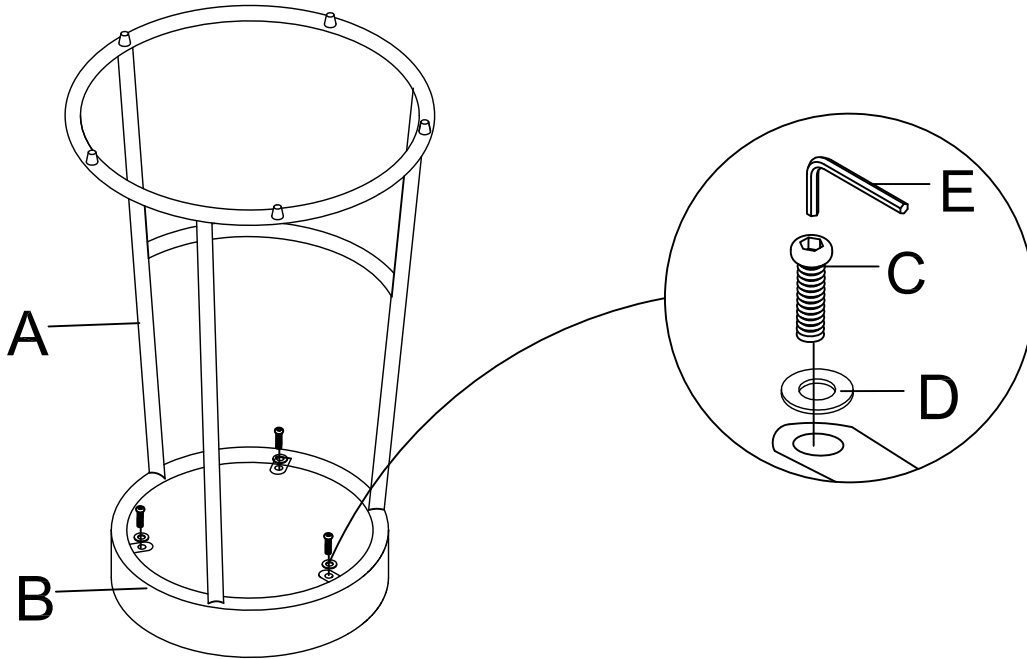


Ø6xØ16
Dx3



Ex1

①



②

