
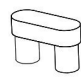





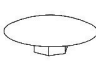
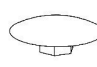
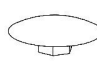
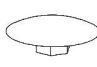
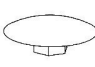
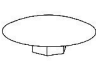
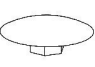


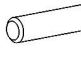


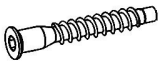


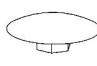

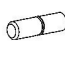






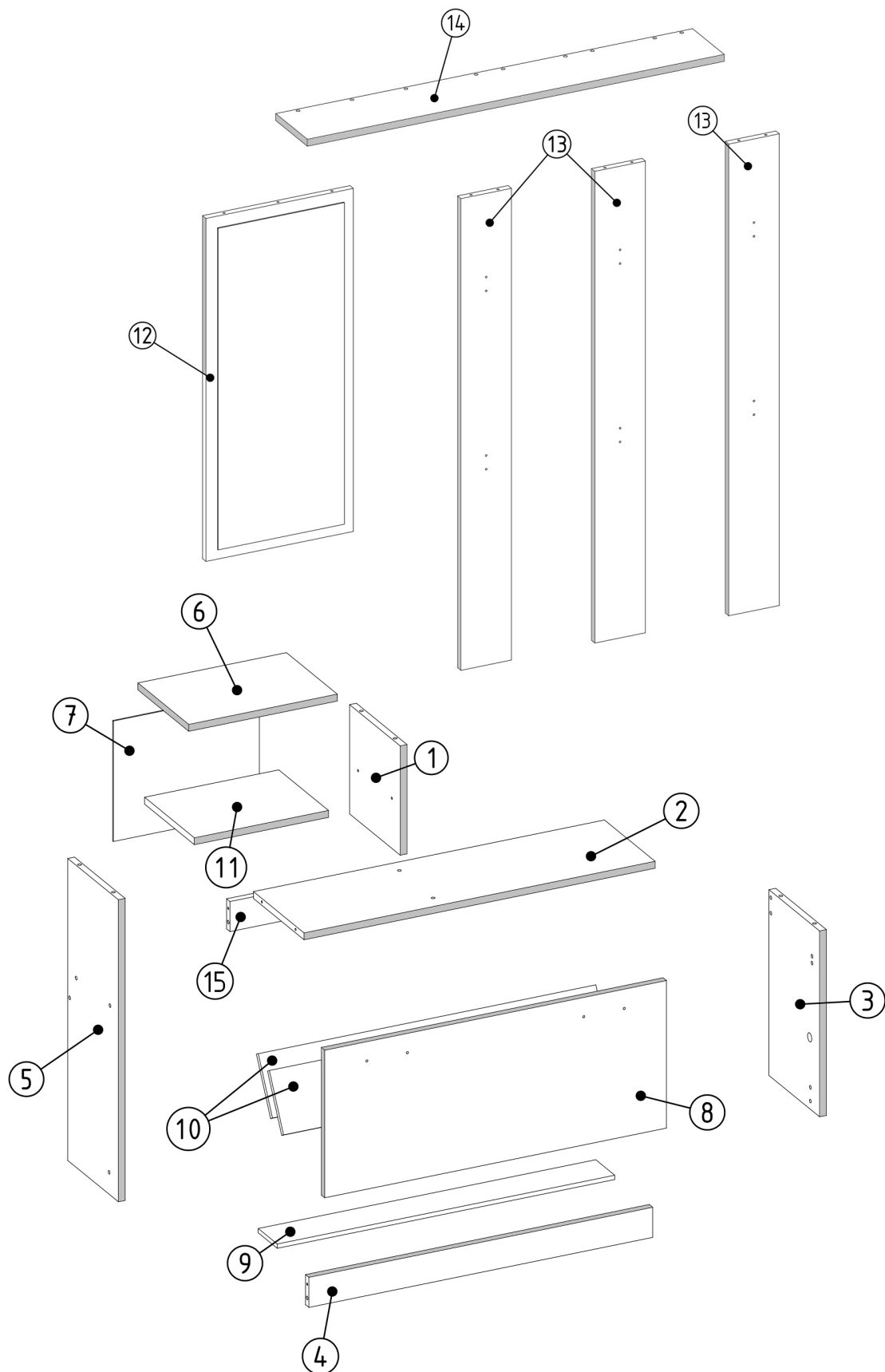
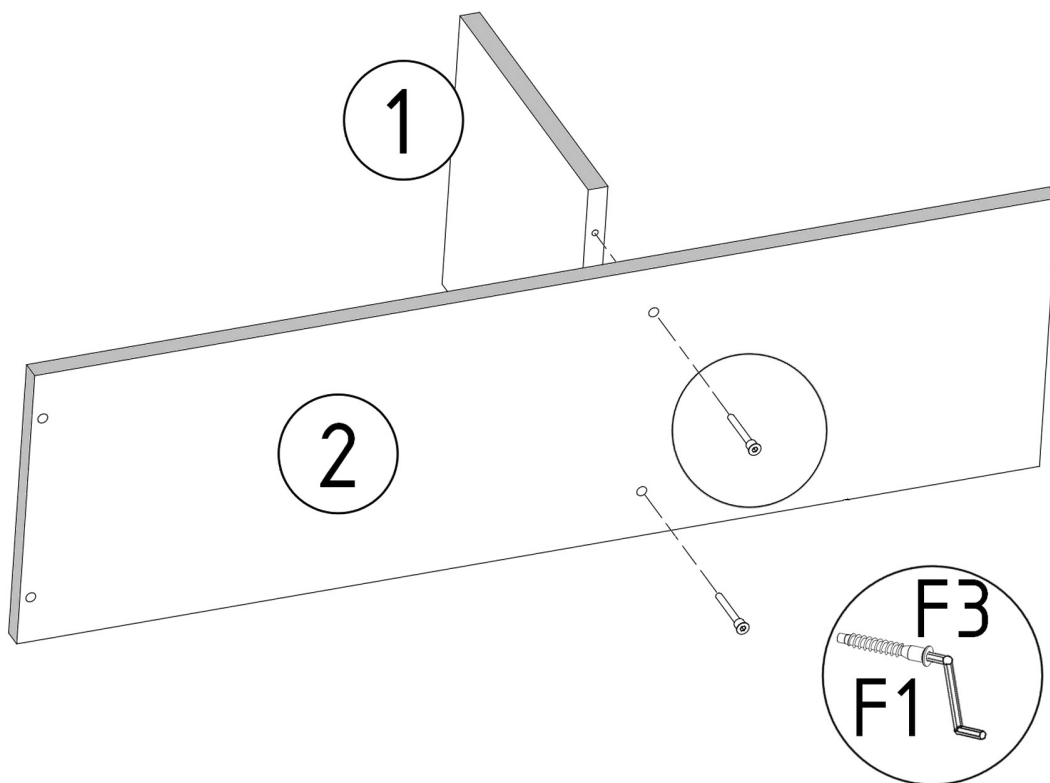
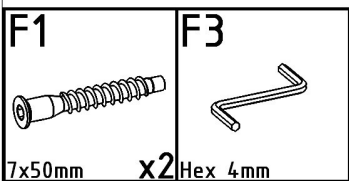
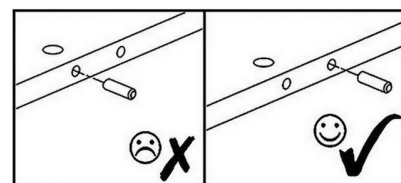
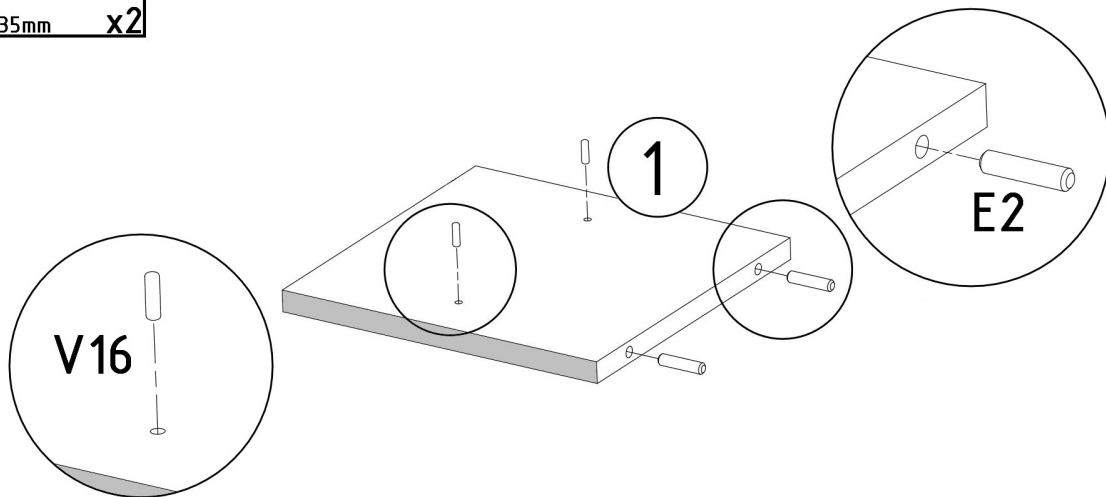
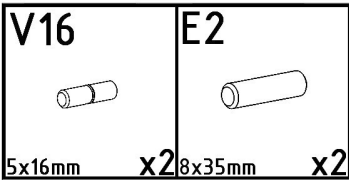






<b>V4</b>  x1	<b>V4.1</b>  x2	<b>V4.2</b>  x2	<b>V4.3</b>  x2	<b>V5</b>  ø35mm x2	<b>T1</b>  x4	<b>S11</b>  3x20mm x6	
<b>B2</b> VERA "Z"  K ø12/5mm x6	<b>B2</b> VERA "Z"  G ø12/5mm x6	<b>B2</b>  CZ ø12/5mm x6	<b>B2</b>  W ø12/5mm x6	<b>B2</b>  B ø12/5mm x6	<b>B2</b>  T ø12/5mm x6	<b>B2</b>  Ant ø12/5mm x6	<b>B2</b>  Bn/SZ ø12/5mm x6
<b>R2</b>  6x13mm x8	<b>E2</b>  8x35mm x10	<b>R8</b>  4x30mm x4	<b>S7</b>  4x25mm x12	<b>F1</b>  7x50mm x17	<b>F3</b>  Hex 4mm x1	<b>V12</b>  GLUE x1	<b>B2</b>  S/A ø12/5mm x6
<b>Z1</b>  x10	<b>V16</b>  5x16mm x4	<b>V44</b> VERA "Z"  Z L=120mm x3	<b>V44</b>  S L=120mm x3	<b>V45</b> VERA "Z"  Z L=75mm x3	<b>V45</b>  S L=75mm x3	<b>U1</b> VERA "Z"  Z L=137/96mm x2	<b>U1</b>  S L=137/96mm x2

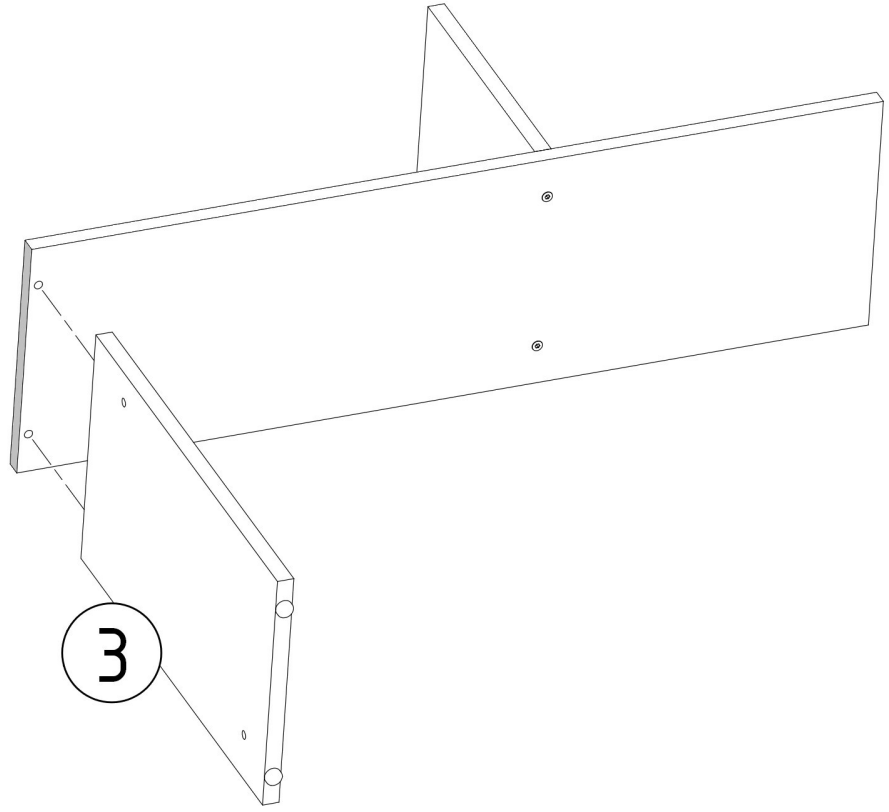
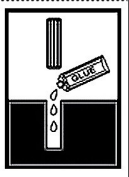
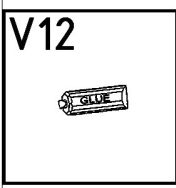
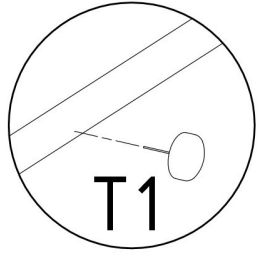
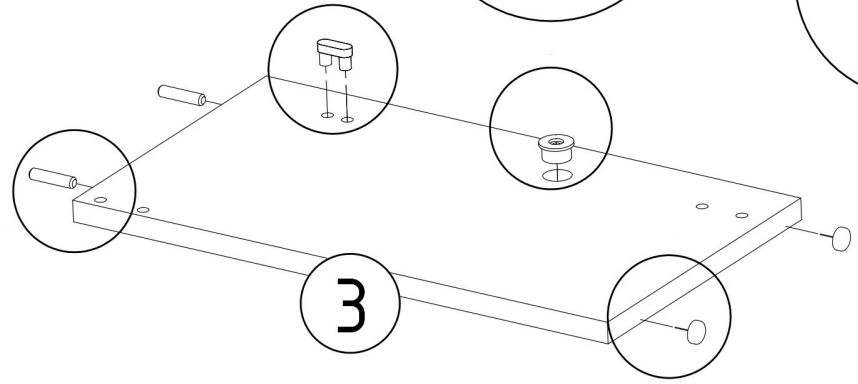
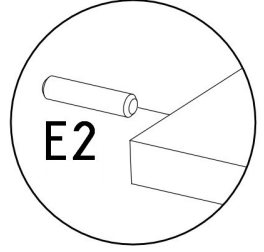
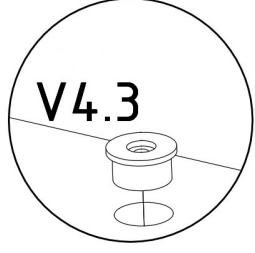
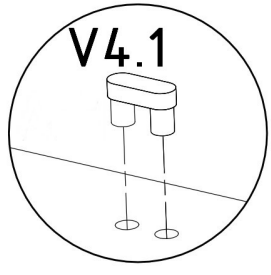
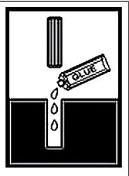



1	x 1
2	x 1
3	x 1
4	x 1
5	x 1
6	x 1
7	x 1
8	x 1

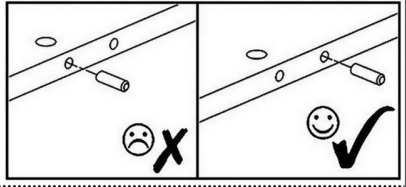
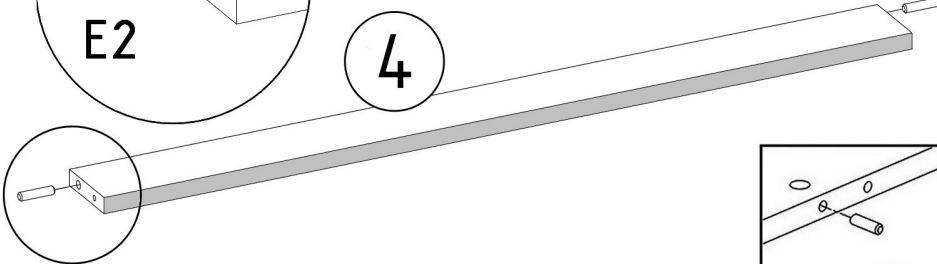
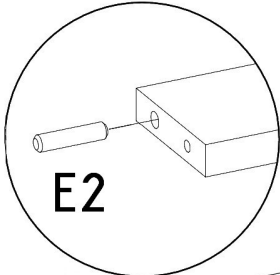
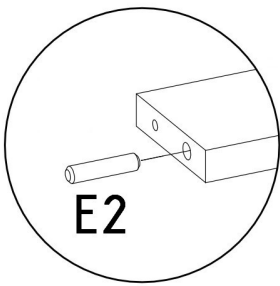
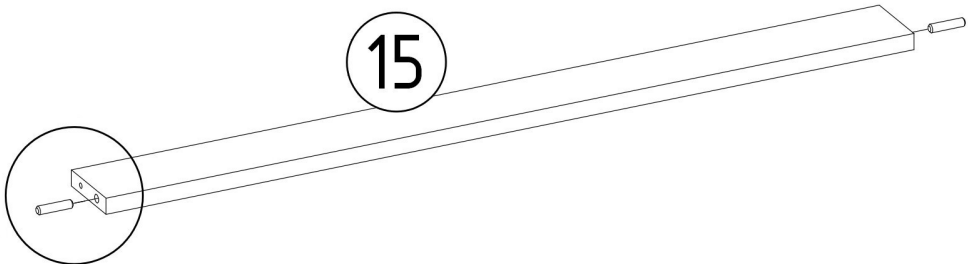
9	x 1
10	x 2
11	x 1
12	x 1
13	x 3
14	x 1
15	x 1

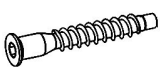


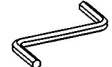
<b>E2</b>  8x35mm x2	<b>T1</b>  x2	<b>V4.1</b>  x2	<b>V4.3</b>  x1
--	--	--	--

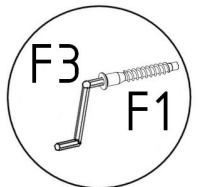
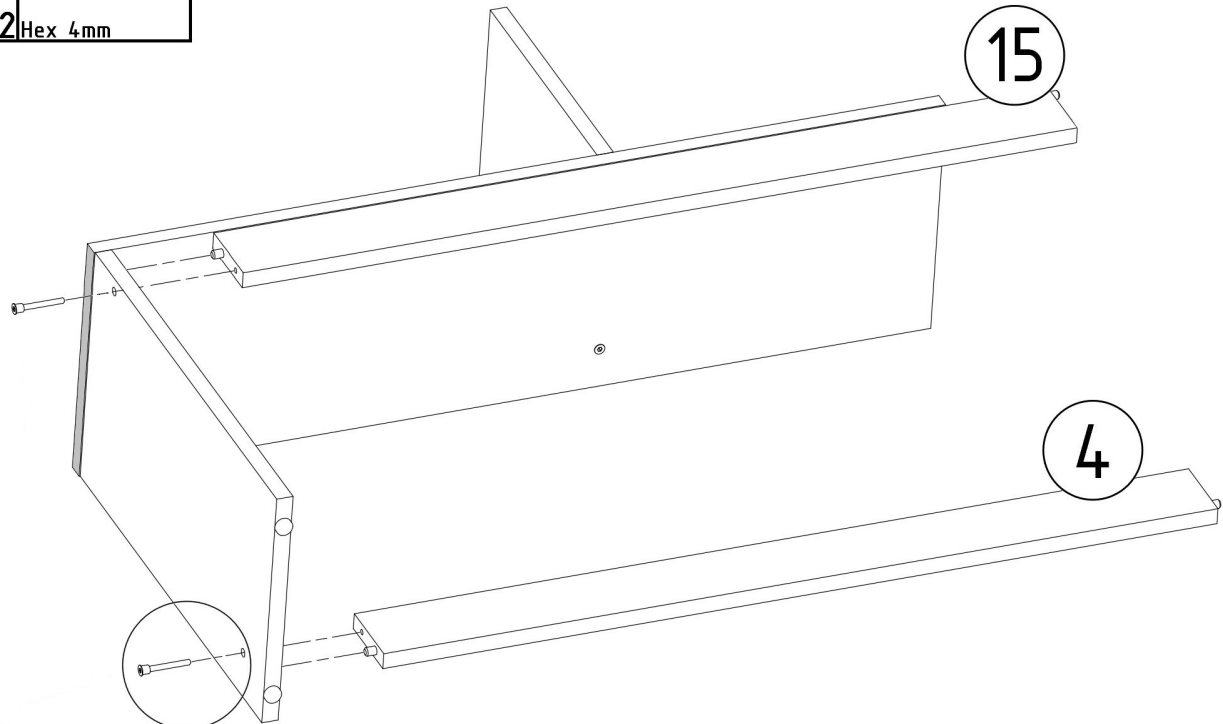








**E2**  
  
8x35mm **X4**

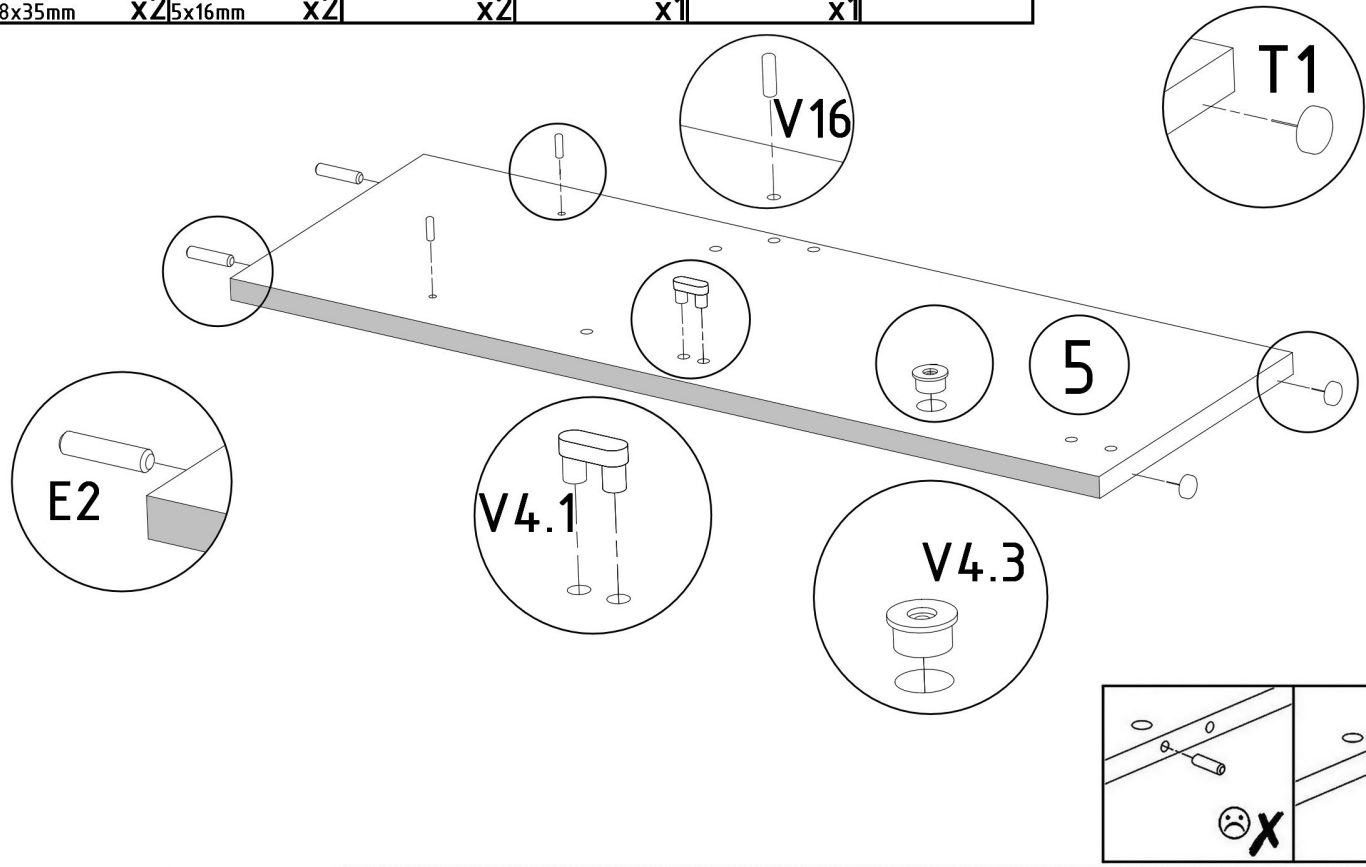


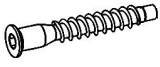
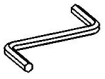
**F1**  
  
7x50mm **X2**

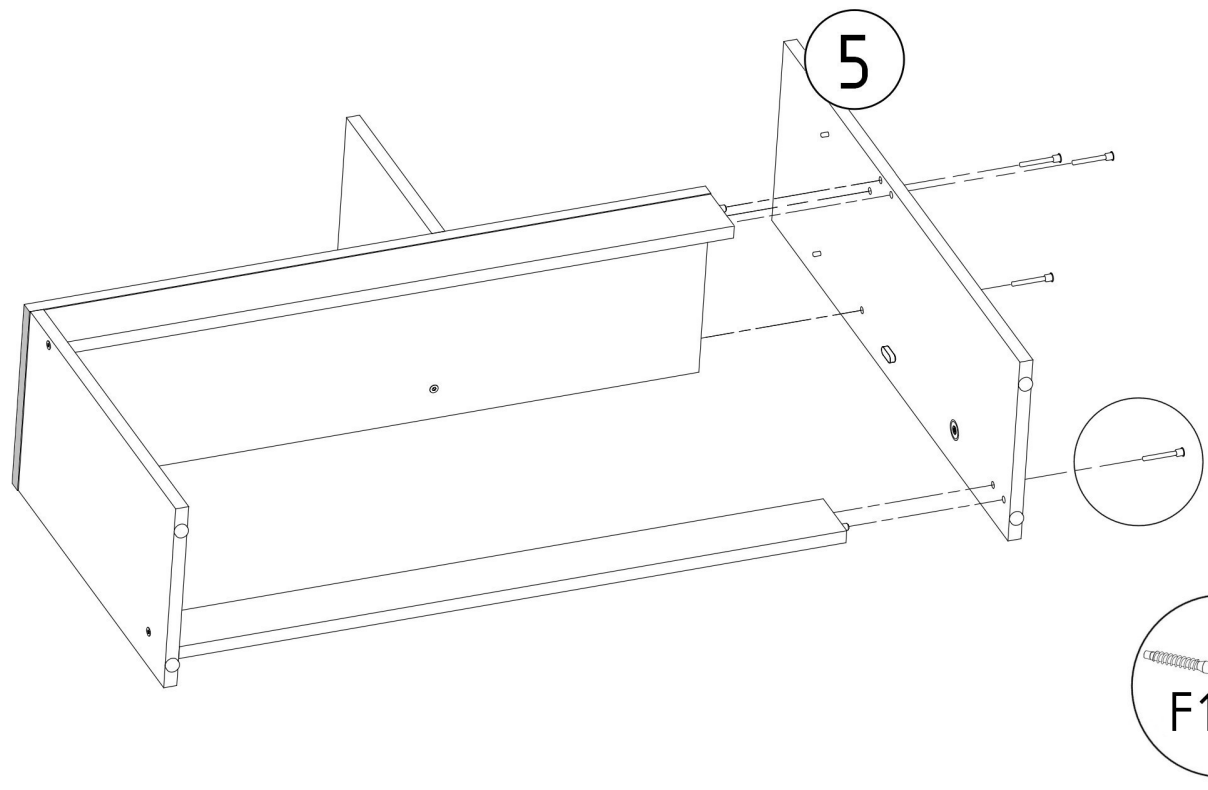
**F3**  
  
Hex 4mm



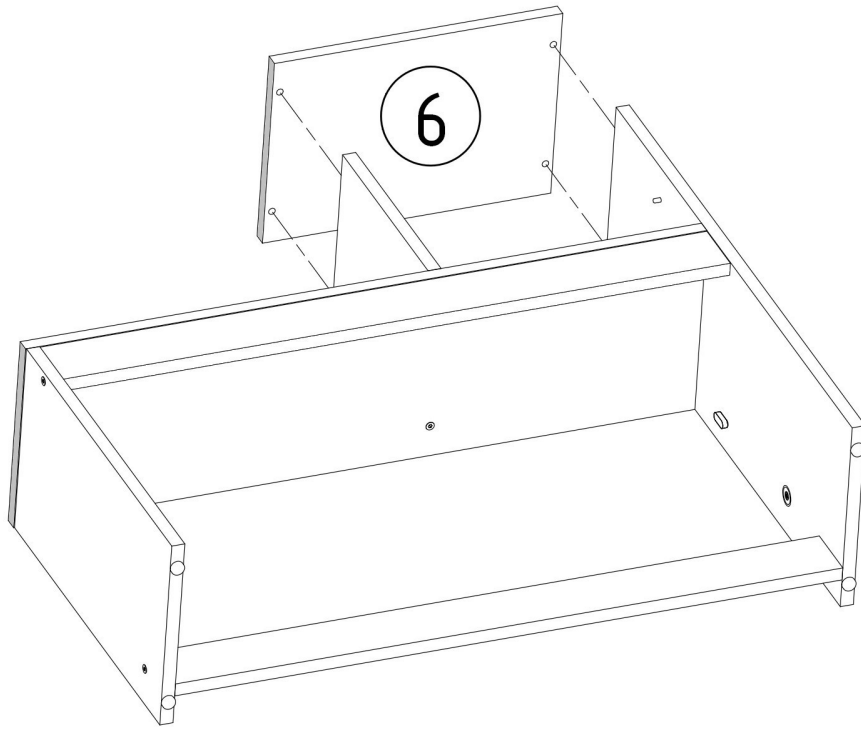
<b>E2</b>  8x35mm x2	<b>V16</b>  5x16mm x2	<b>T1</b>  x2	<b>V4.1</b>  x1	<b>V4.3</b>  x1	<b>V12</b>  x1
--	--	--	--	--	--



<b>F1</b>  7x50mm x4	<b>F3</b>  Hex 4mm
--	---



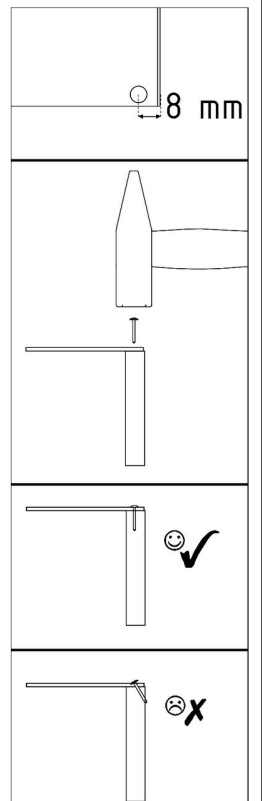
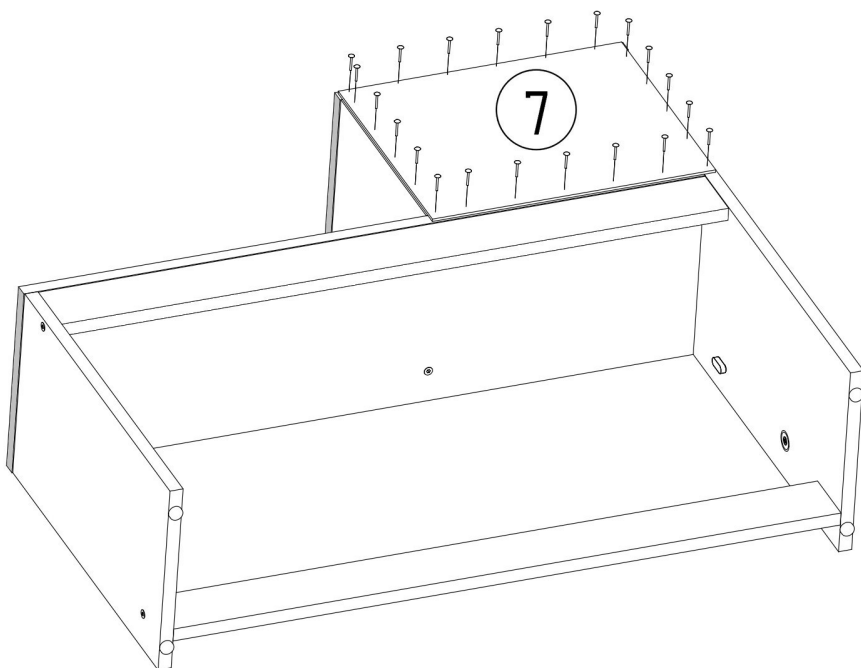
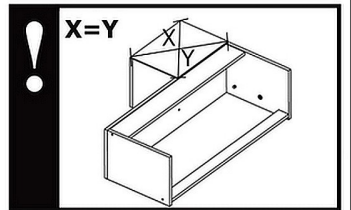
V12

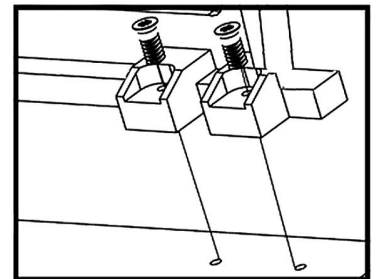
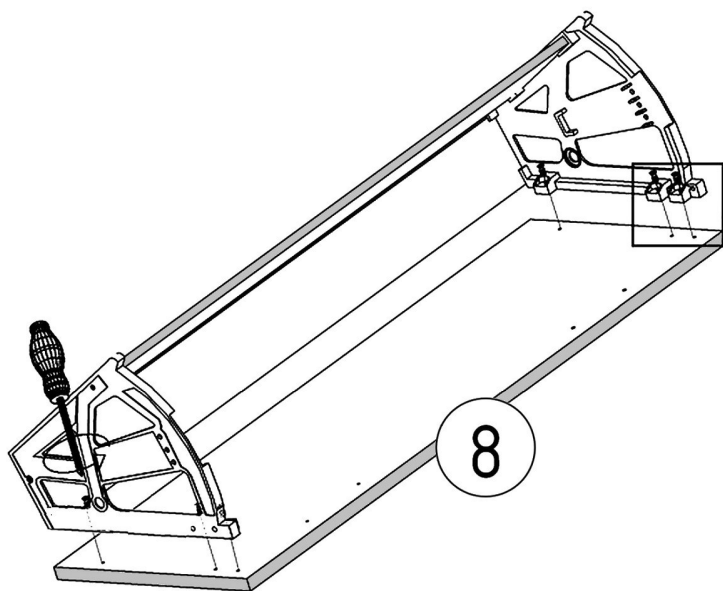
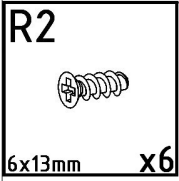
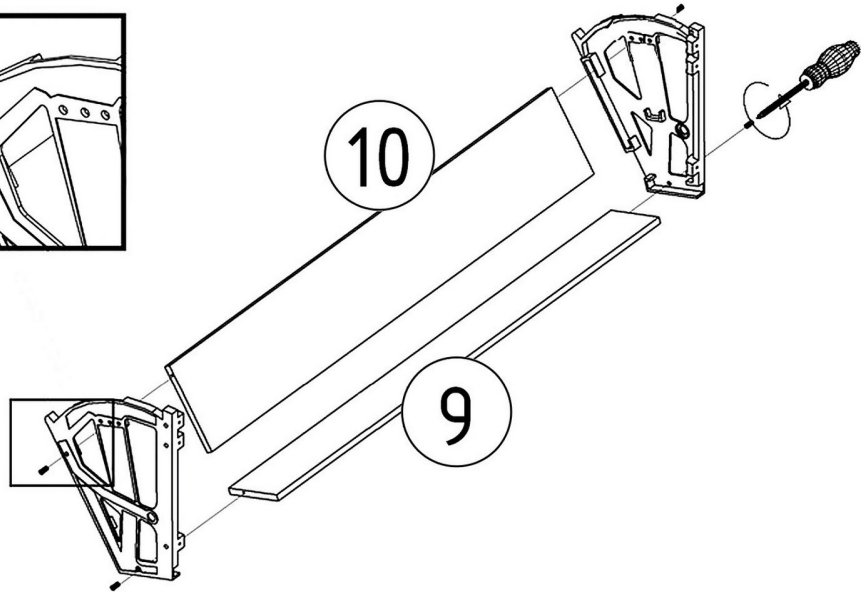
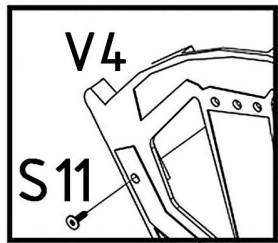
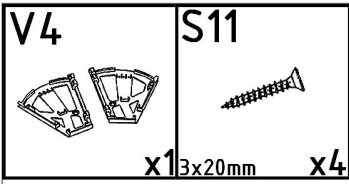


Z1



x10





R2



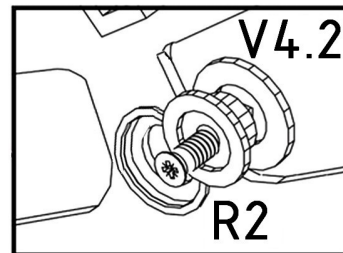
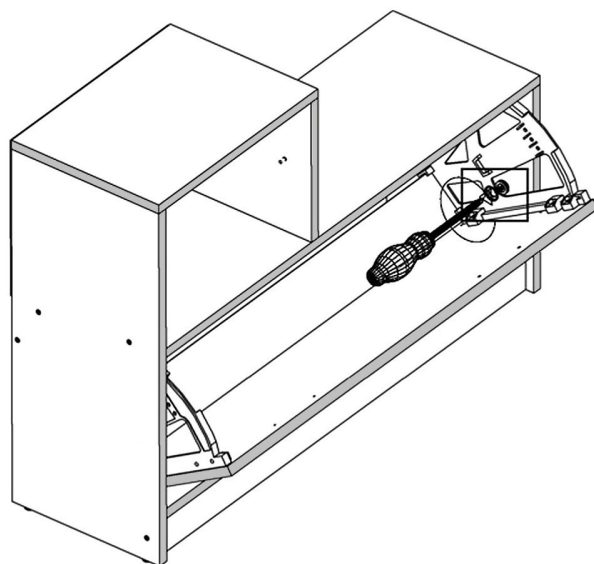
6x13mm

x2

V4.2



x2

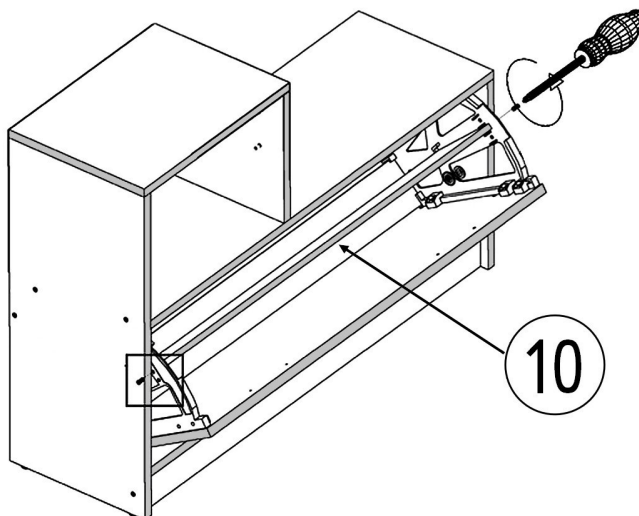
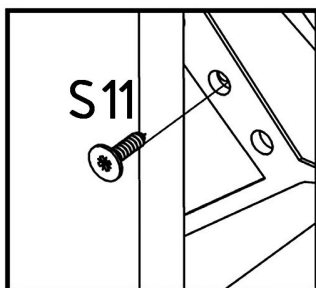




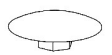
S11

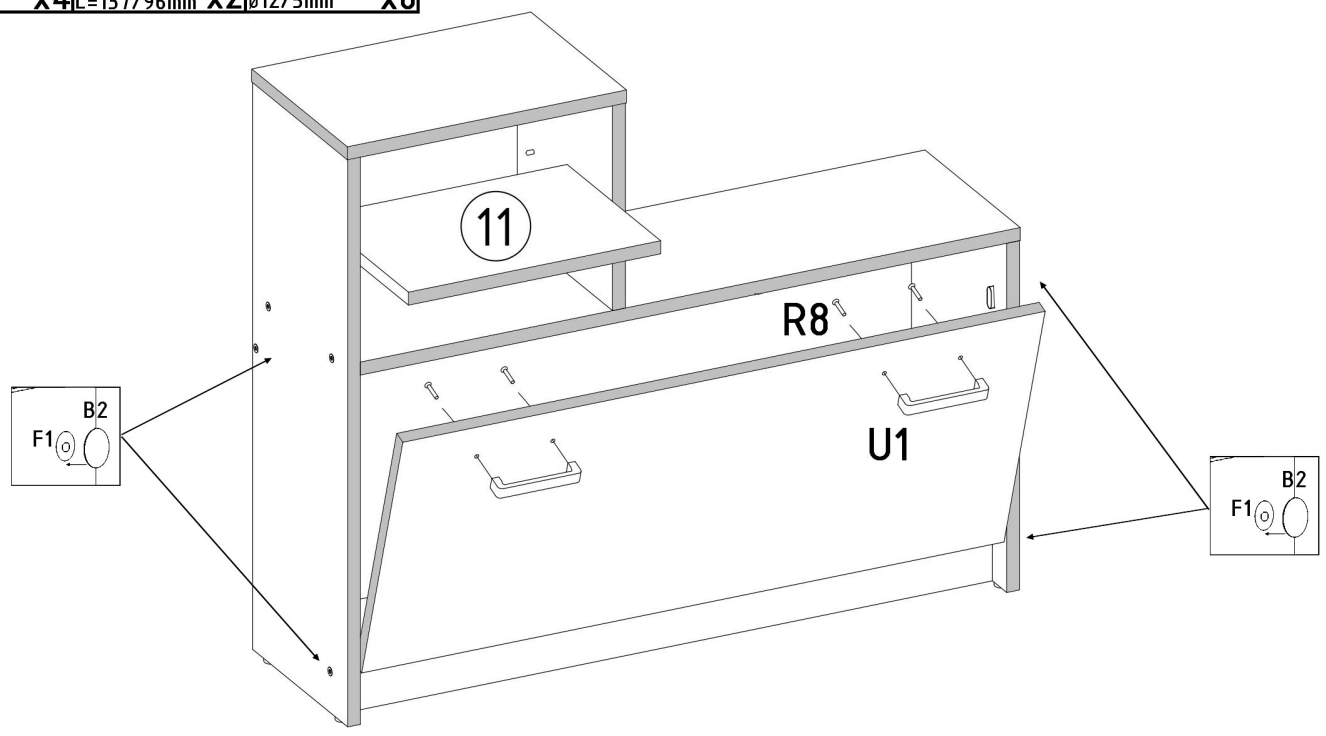



3x20mm

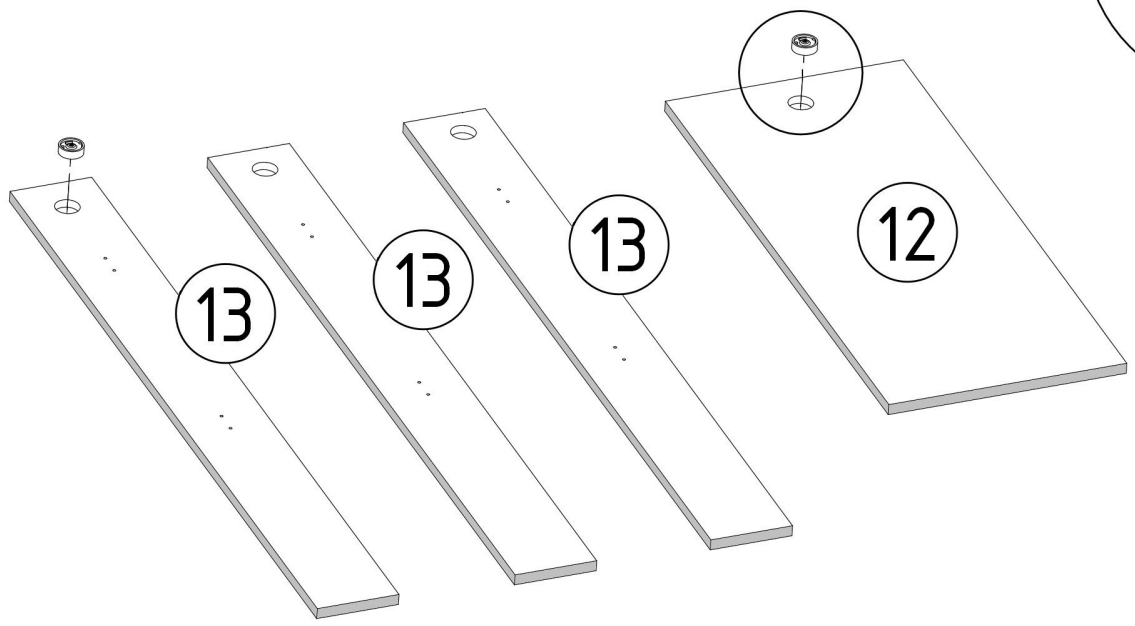
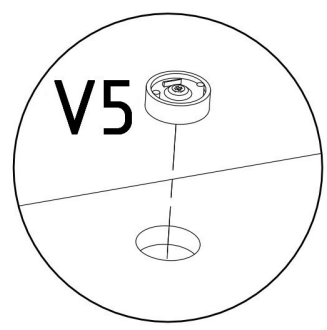
x2






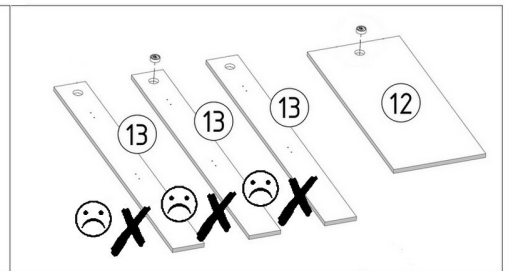
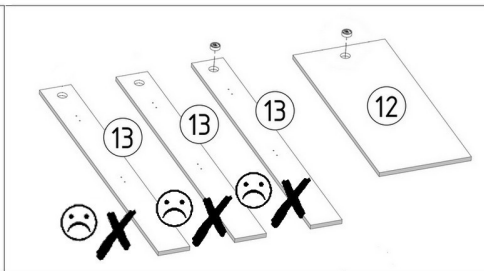
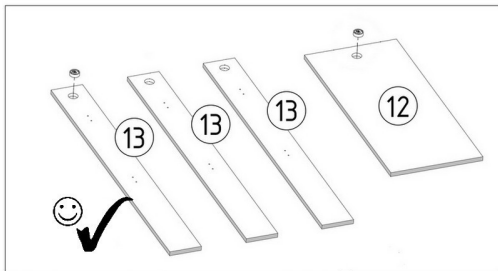
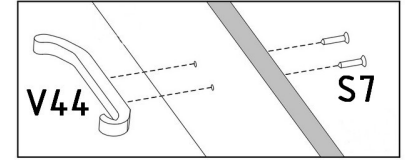
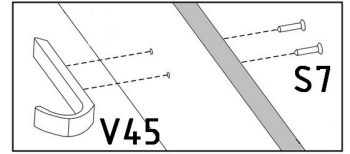
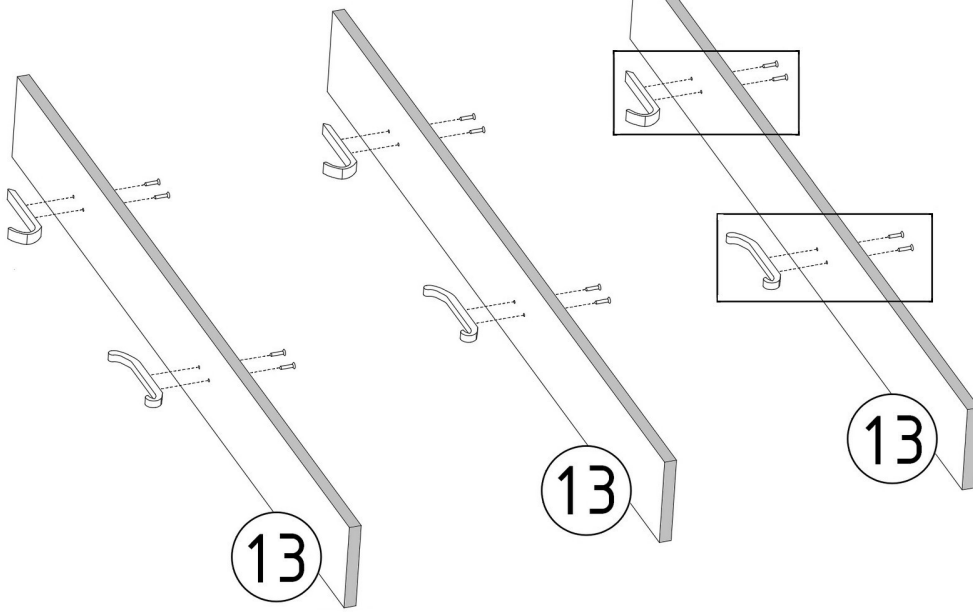
<b>R8</b>  4x30mm <b>x4</b>	<b>U1</b>  L=137/96mm <b>x2</b>	<b>B2</b>  ø12/5mm <b>x6</b>
--	--	---

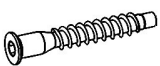
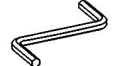


<b>V5</b>  ø35mm <b>x2</b>
--



<b>V44</b>  L=120mm x3	<b>V45</b>  L=75mm x3	<b>S7</b>  4x25mm x12
--	--	--



<b>F1</b>  7x50mm x9	<b>F3</b>  Hex 4mm
--	---

