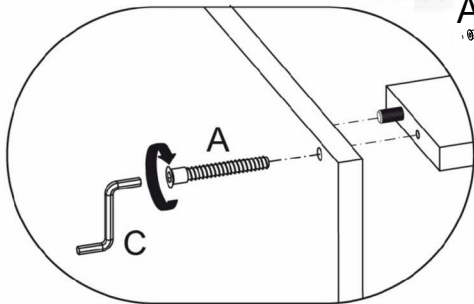
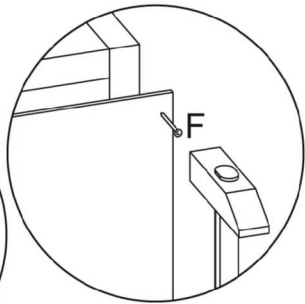
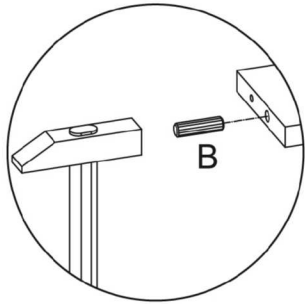
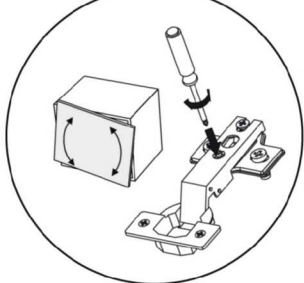
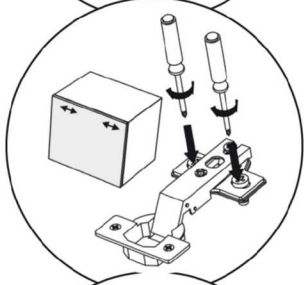
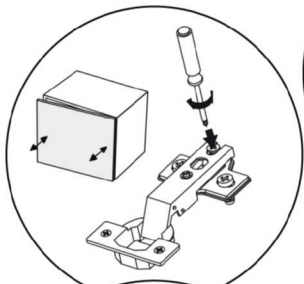
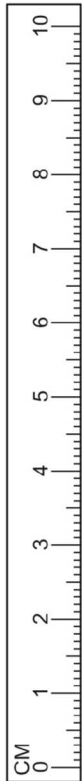
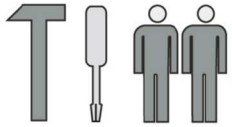
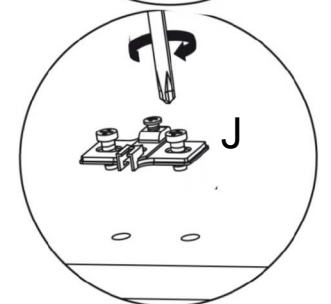
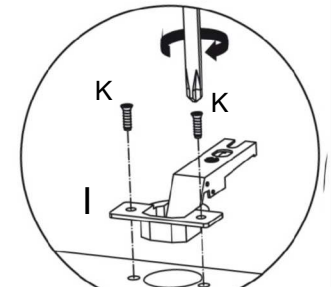
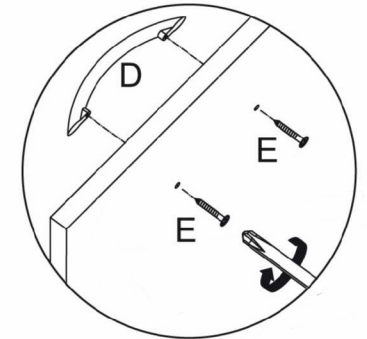
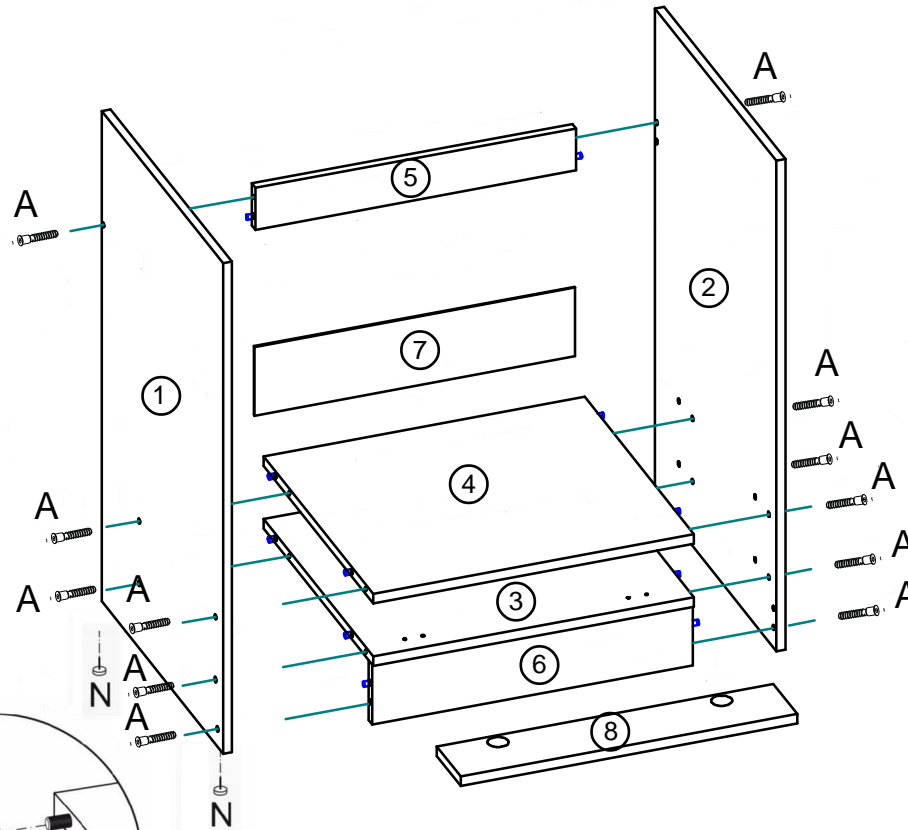


DP-60_82



A	B	C	D	E	F	I	J	K	N
12	12	1	1	2	~20	2	2	4	4



No packer:

Dear Customer.

We regret to inform you, that in time complaint please give No packer and No missing and spoil element.