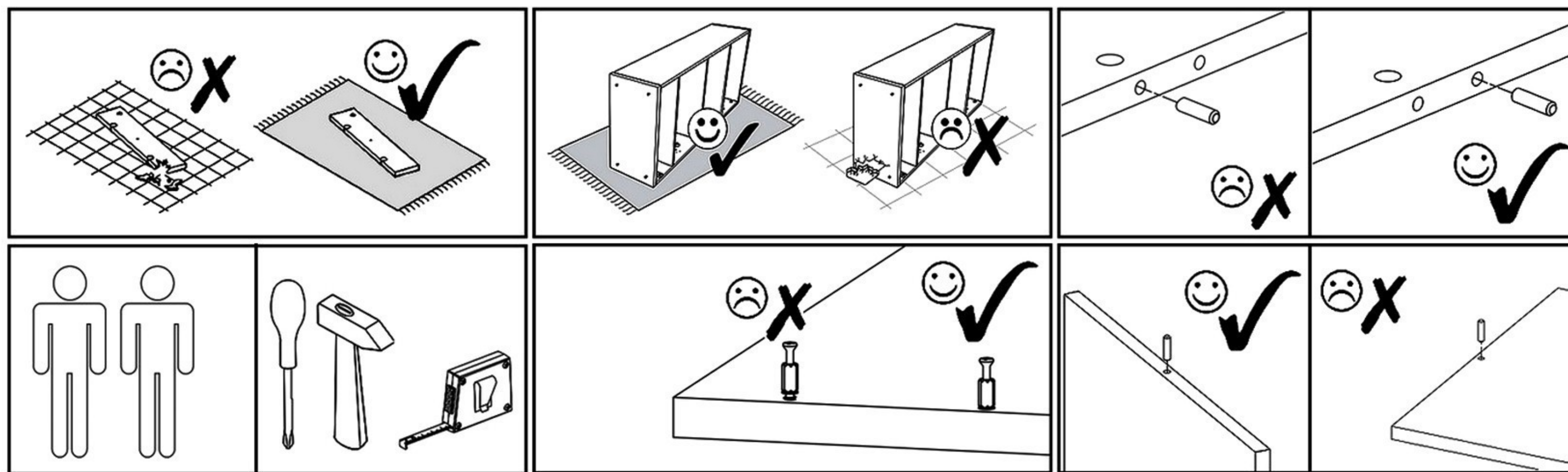
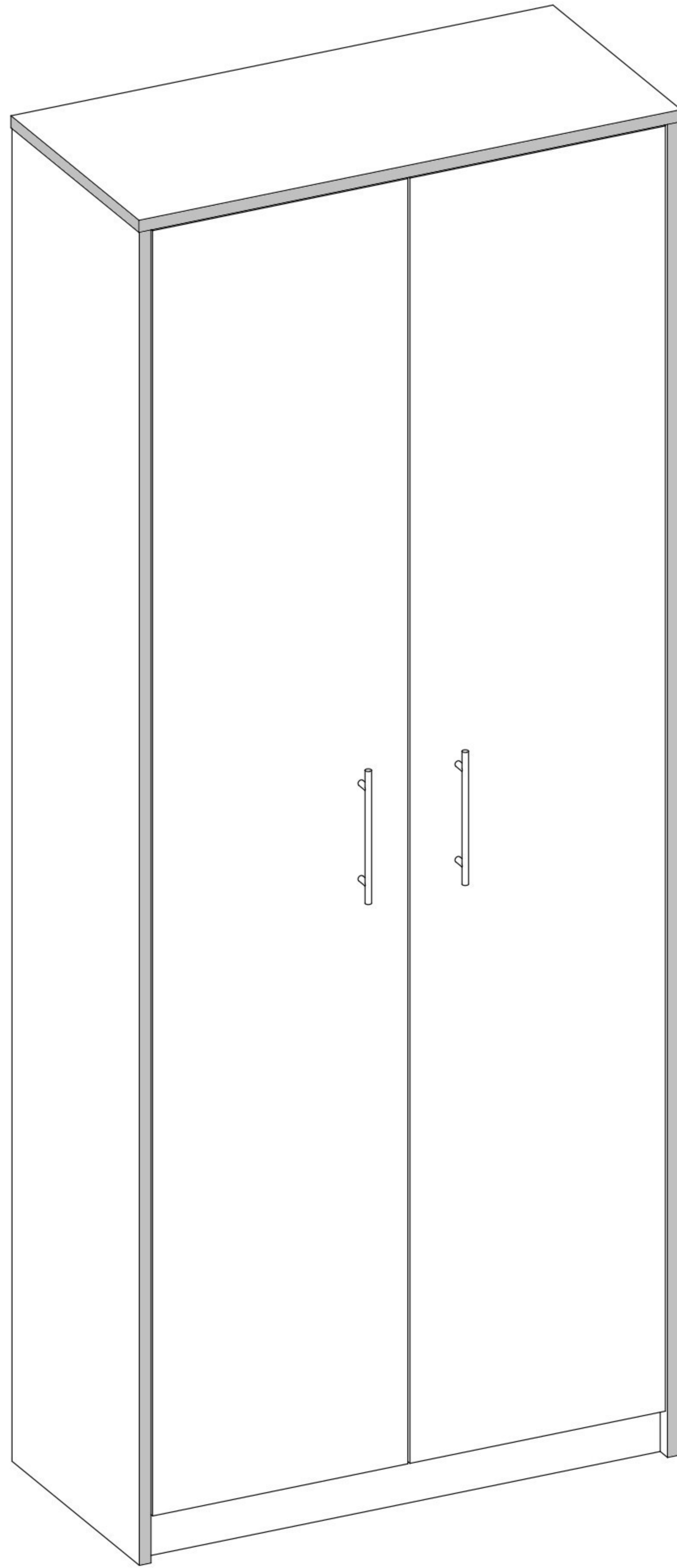
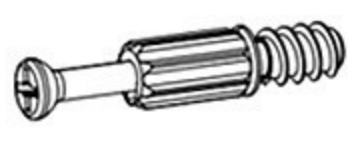
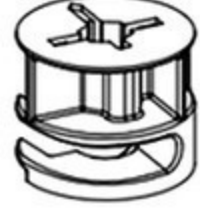
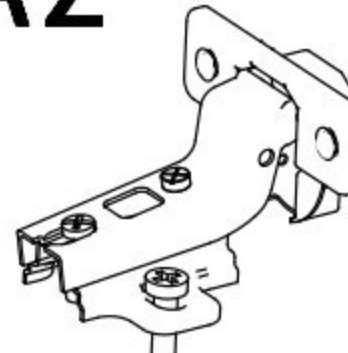

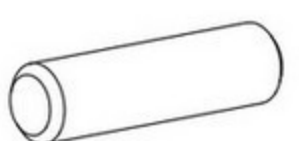

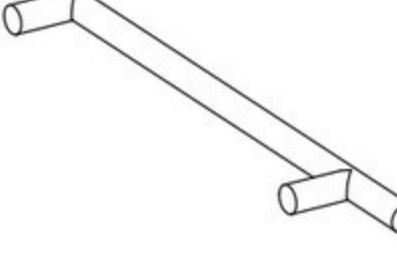

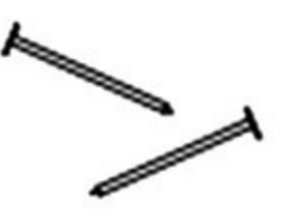
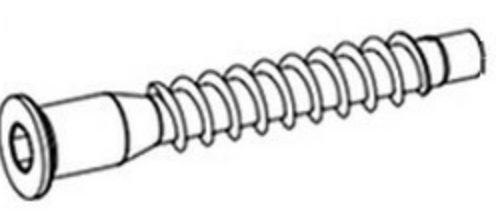
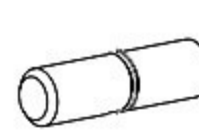
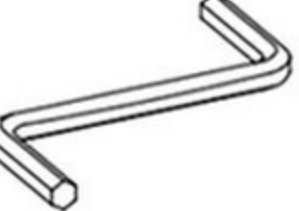
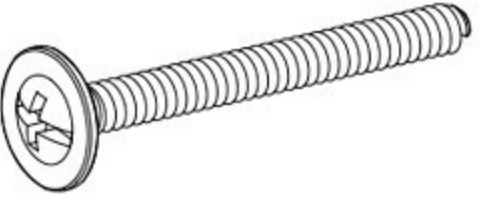

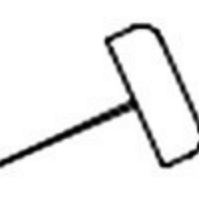
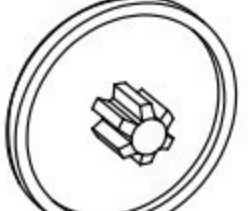

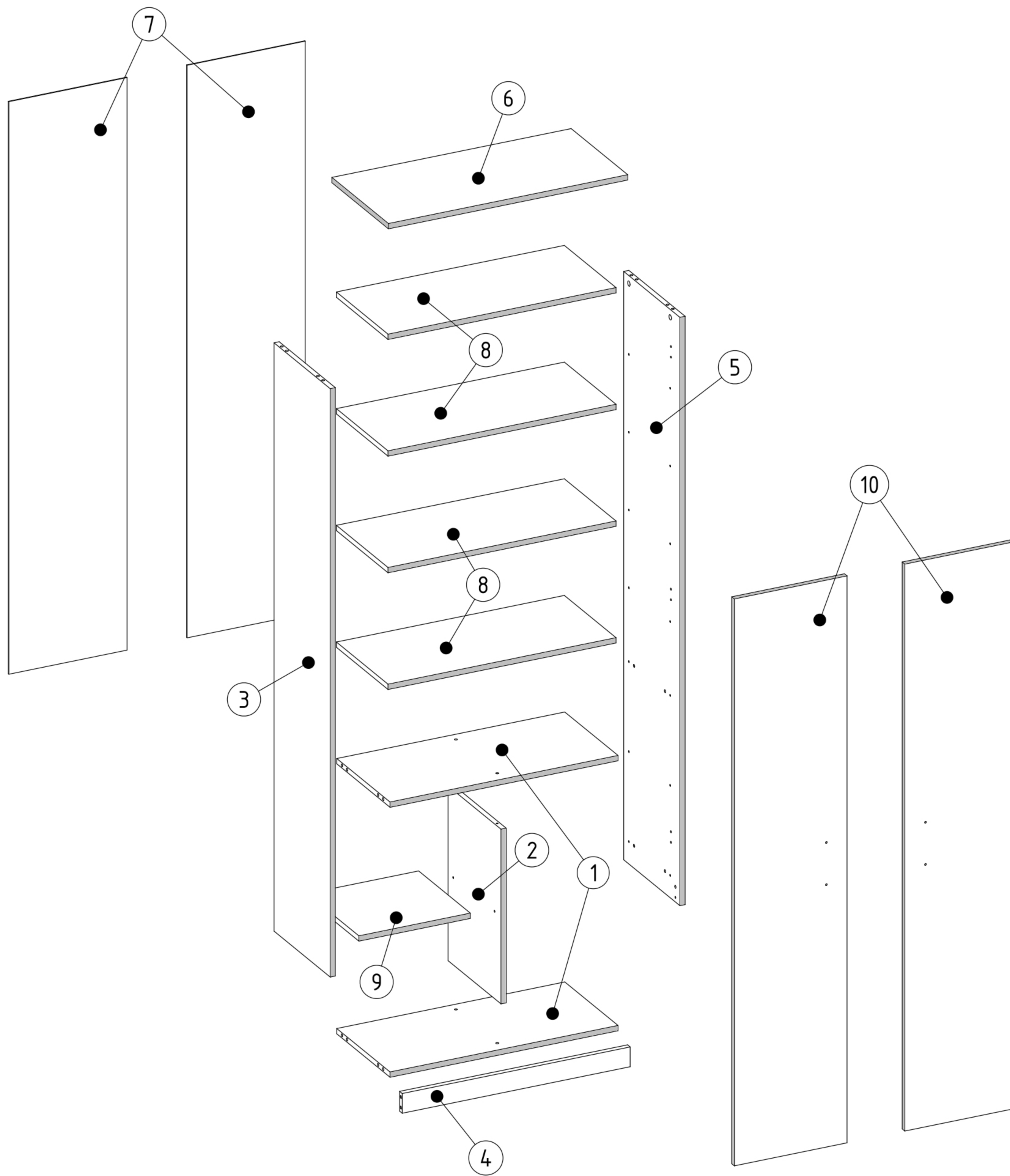


13/10/2022

RZ OLIV 2D





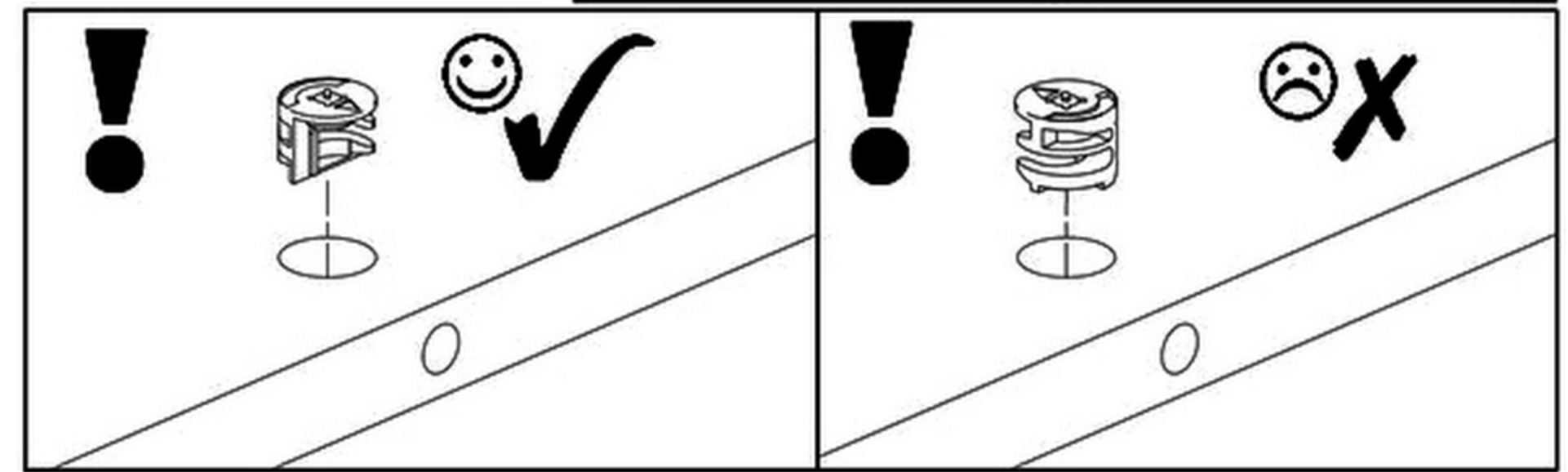
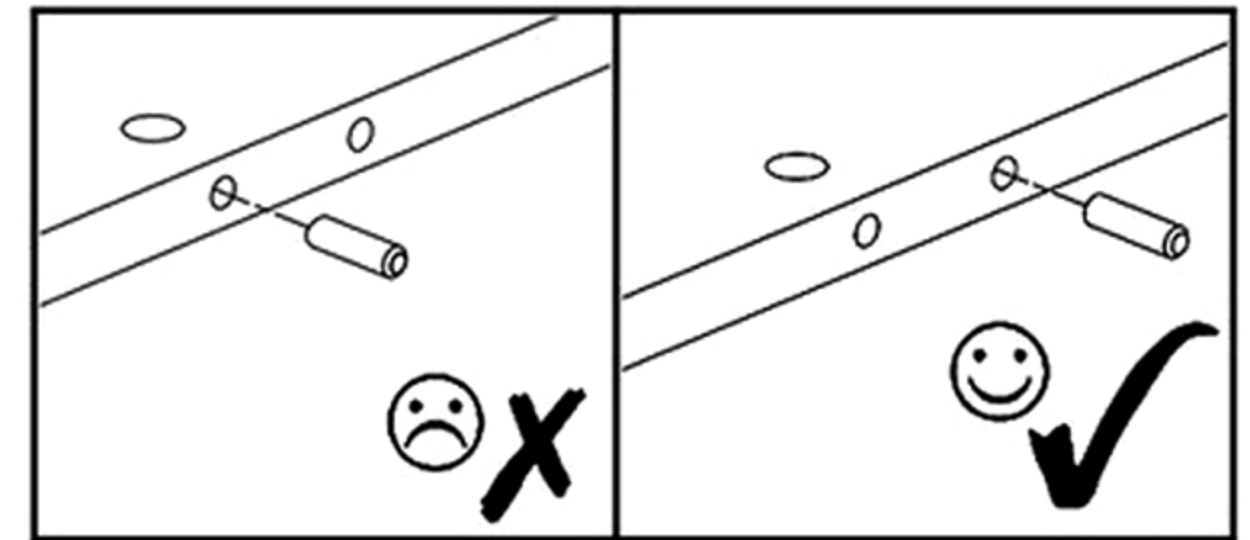
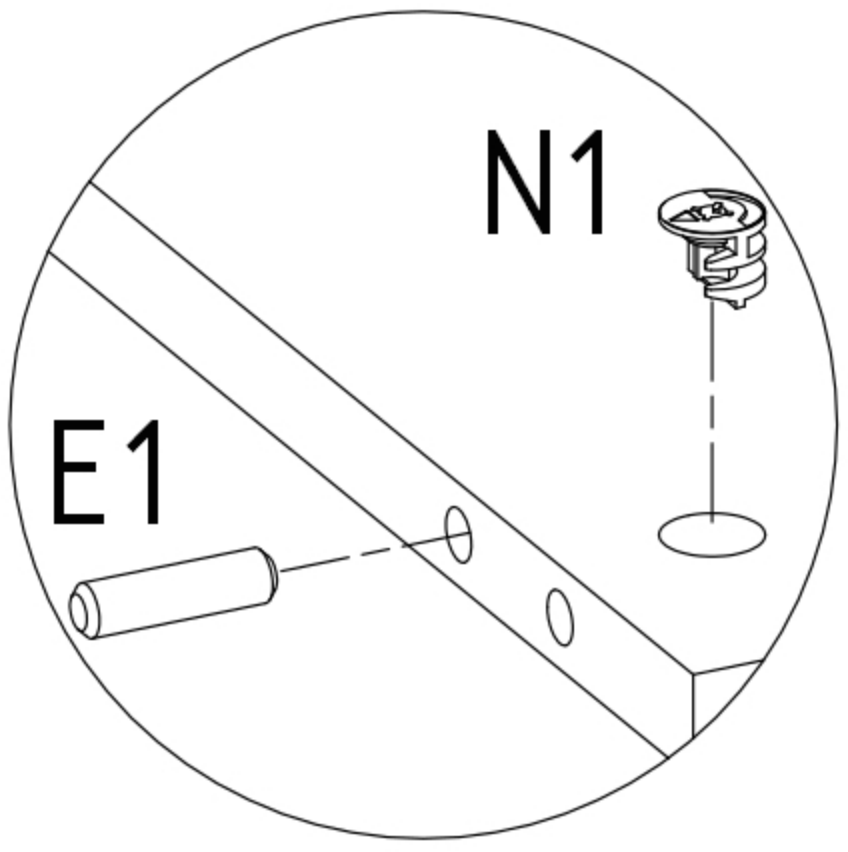
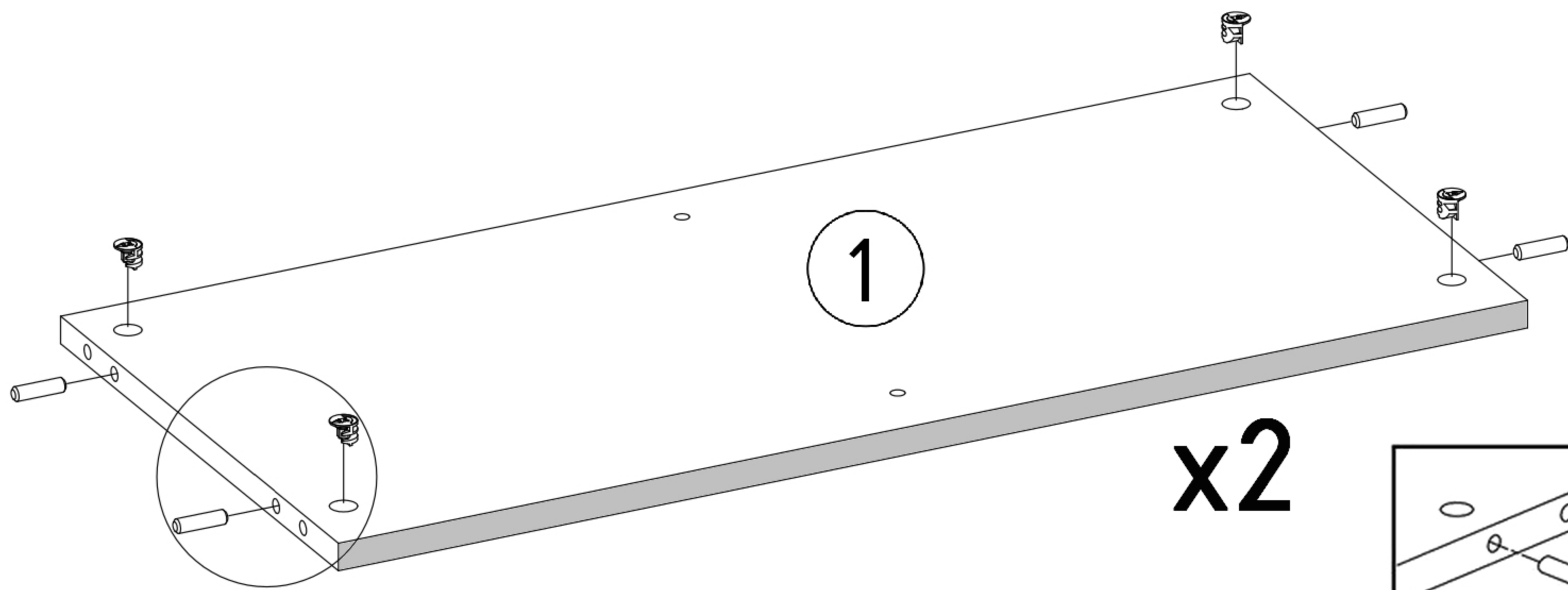
N1  L=35mm x14	M1  12x15mm x14	A2  ZW x6	S1  3,5x16mm x12	E1  8x30mm x14	K4  x4	U8  128x200mm x2	L1  L=1160mm x1	
Z1  x90	F1  7x50mm x4	K7  5x16mm x20	F3  x1	S5  4x27 mm x4	K2  x1	T1  x5	M2  B,S-A 16mm x4	F2  B,S-A 12mm x2

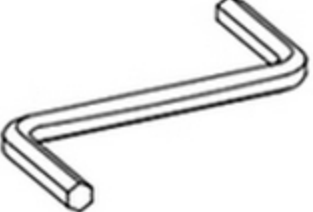
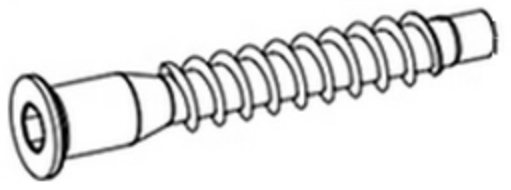


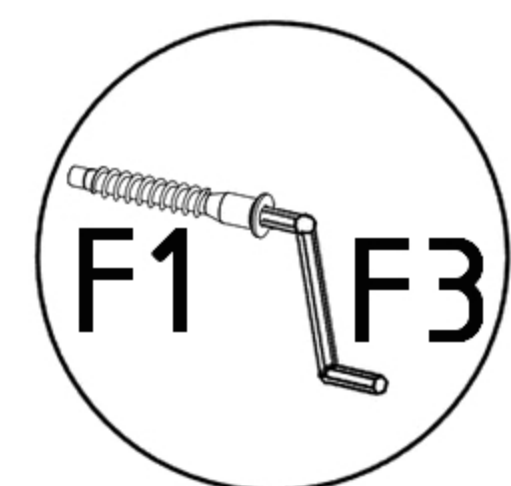
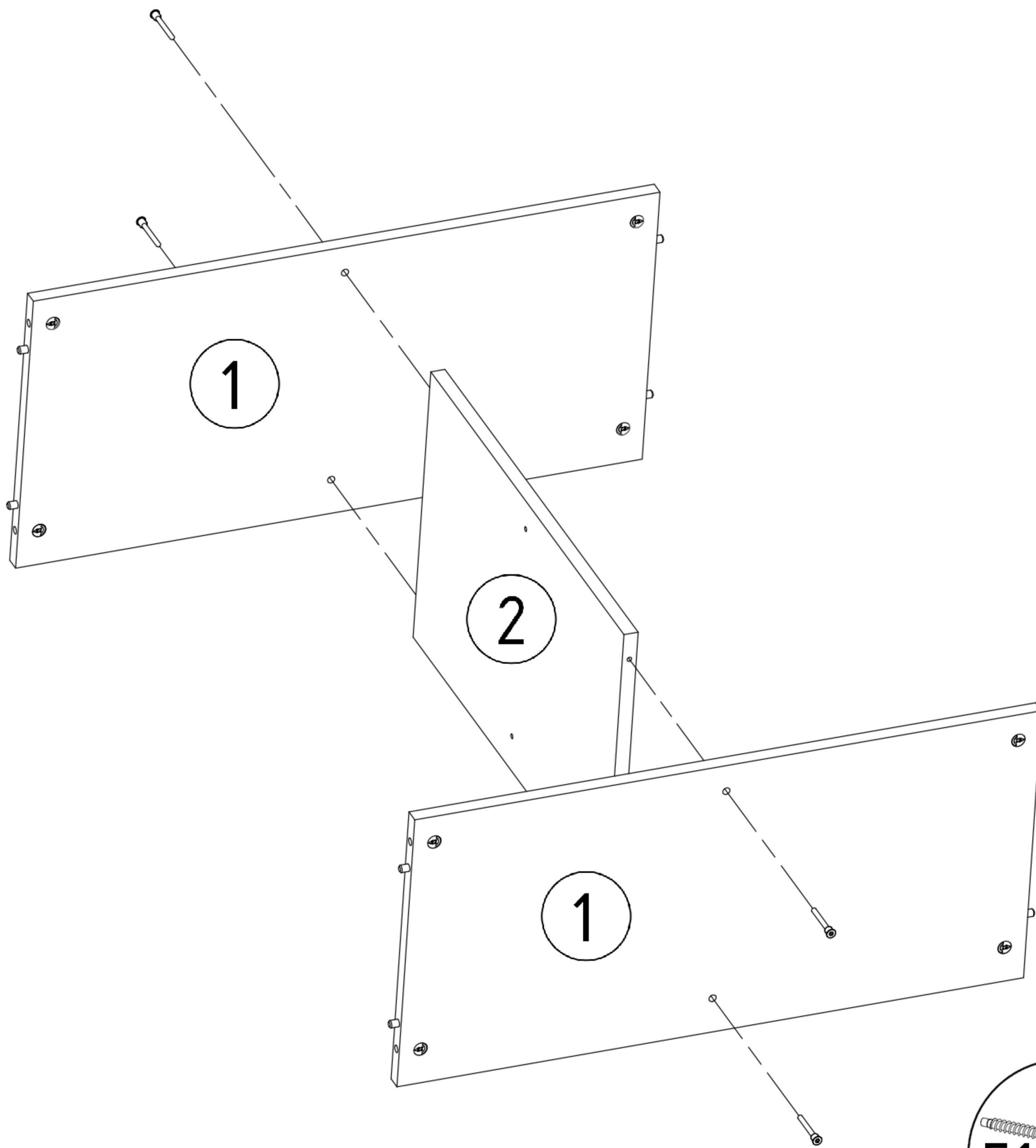
1	x	2
2	x	1
3	x	1
4	x	1
5	x	1

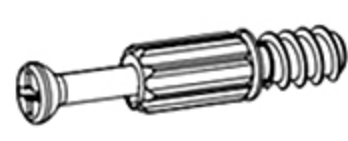
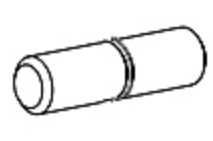



6	x	1
7	x	2
8	x	4
9	x	1
10	x	2

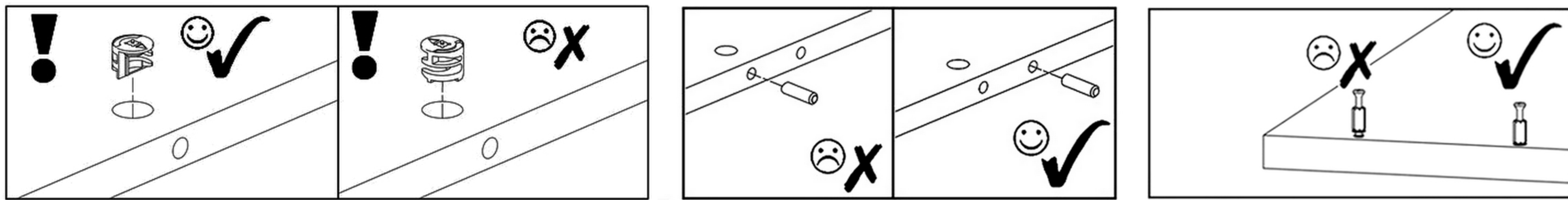
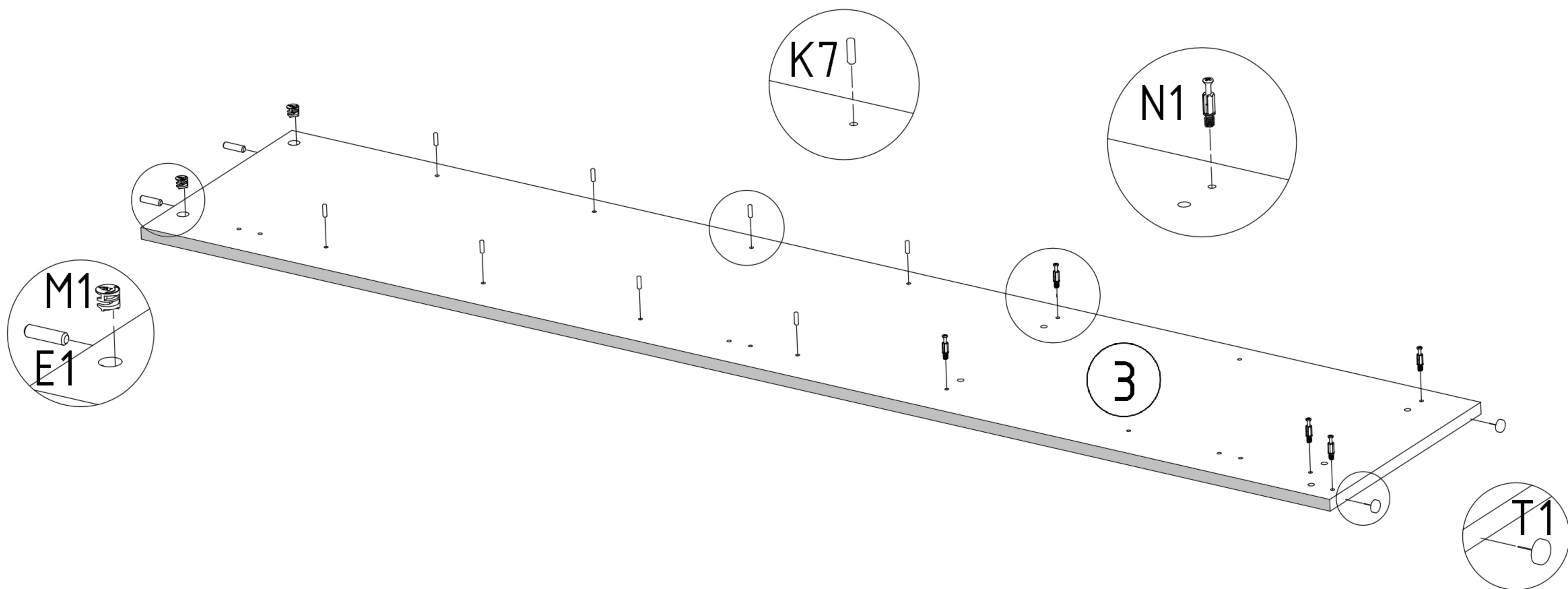
M1 	E1 
12x15mm x8	8x30mm x8

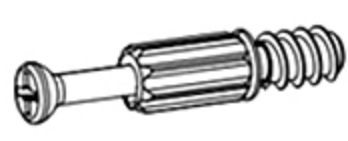
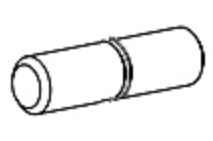





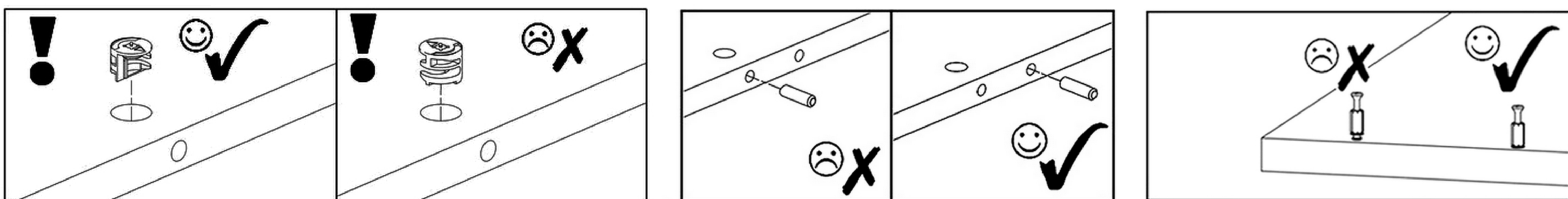
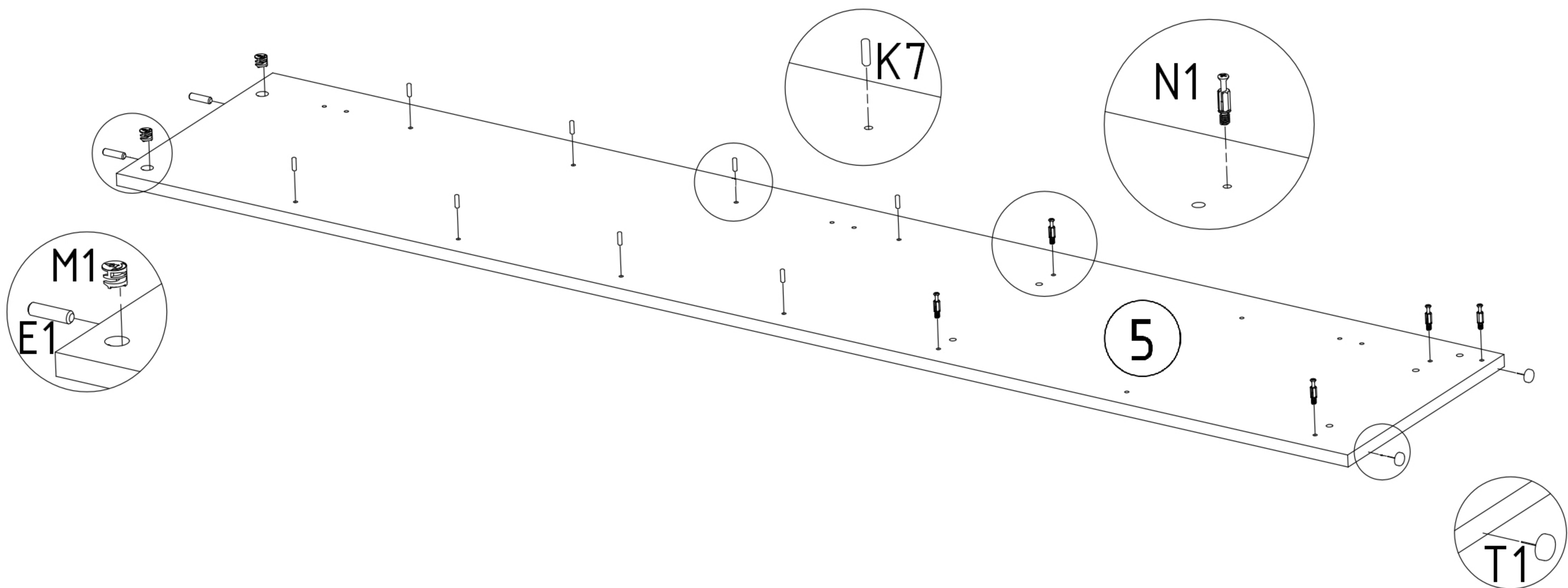
F3 	F1 
x1	7x50mm x4






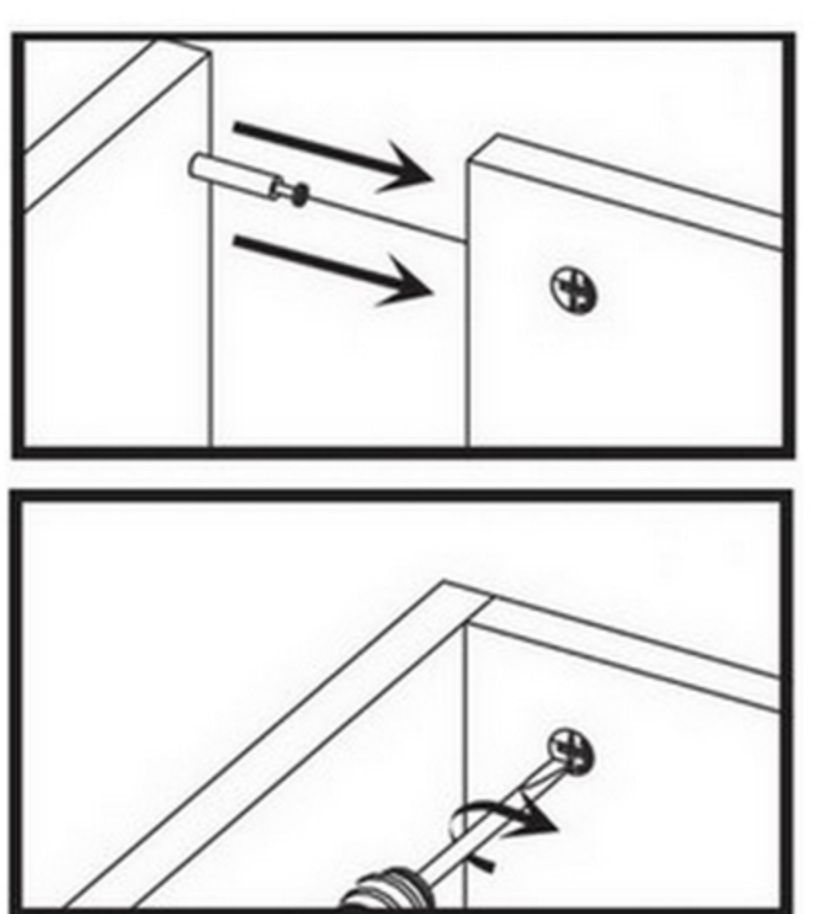
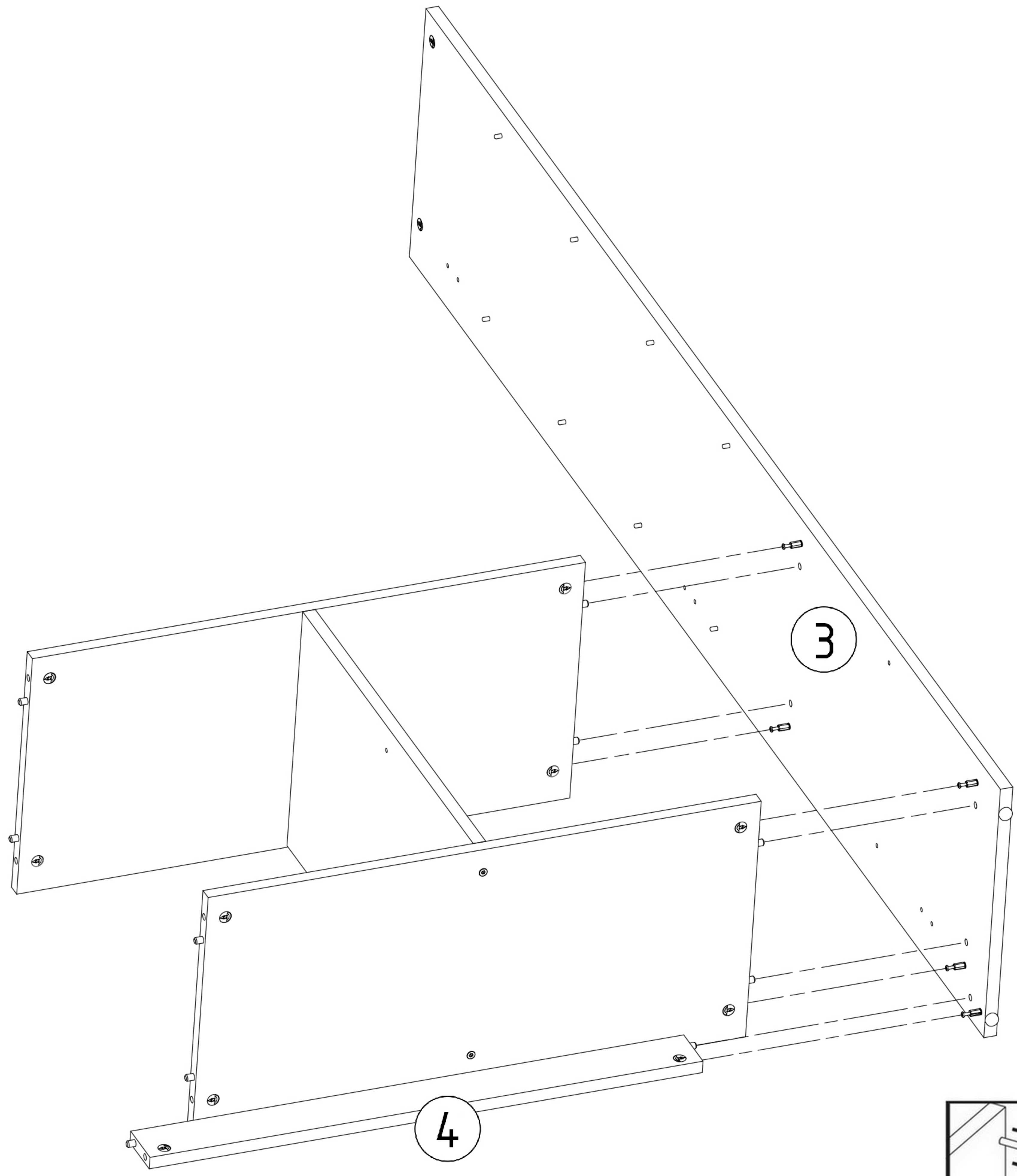
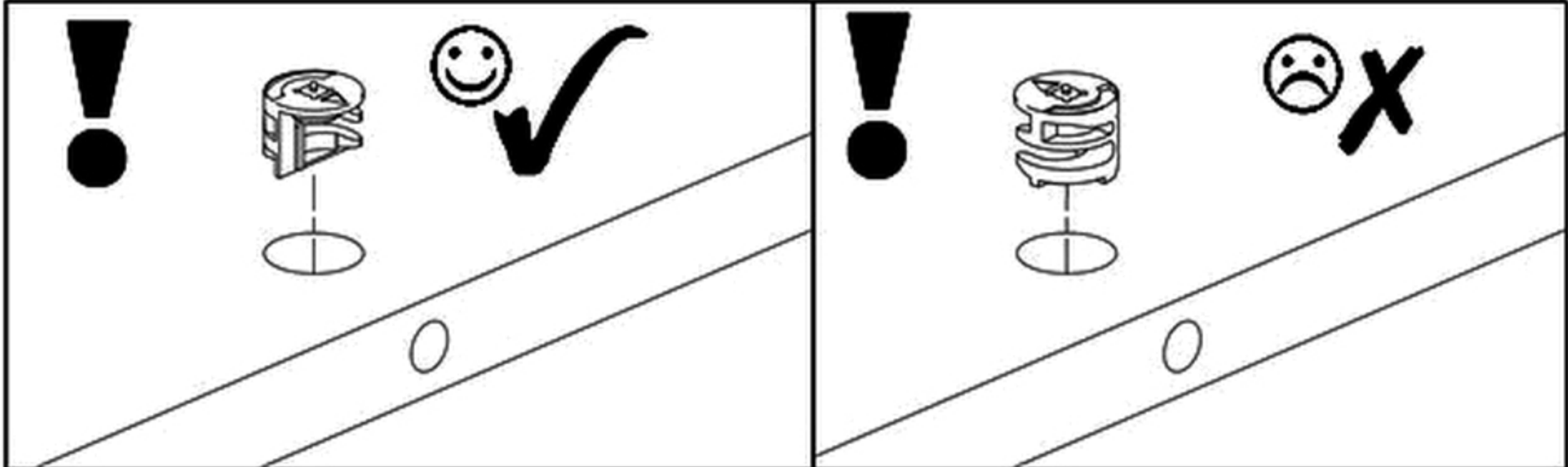
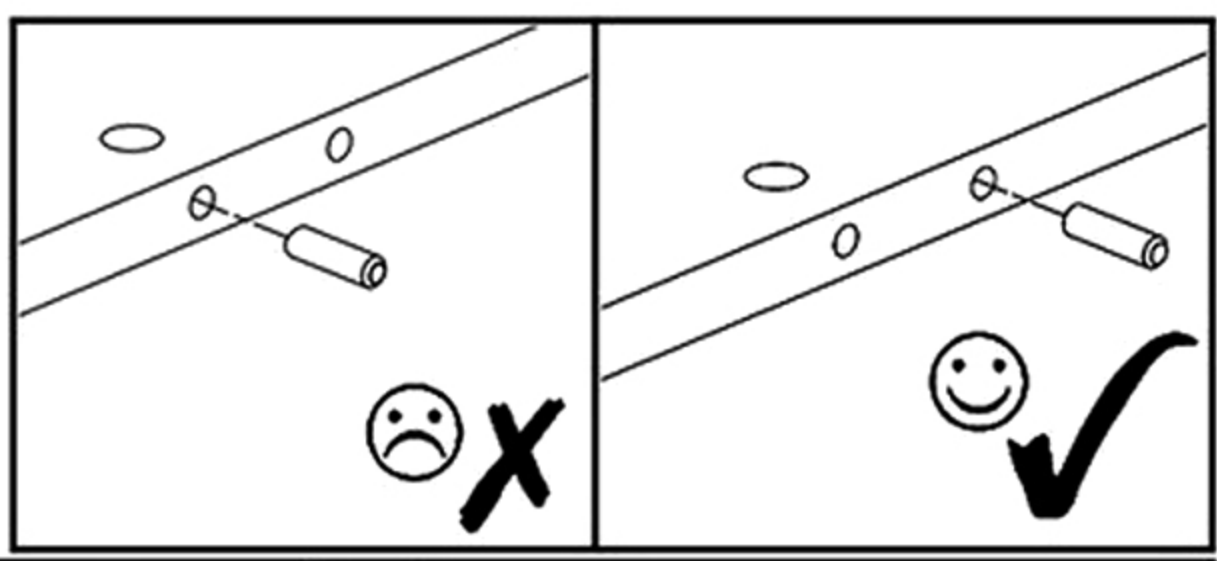
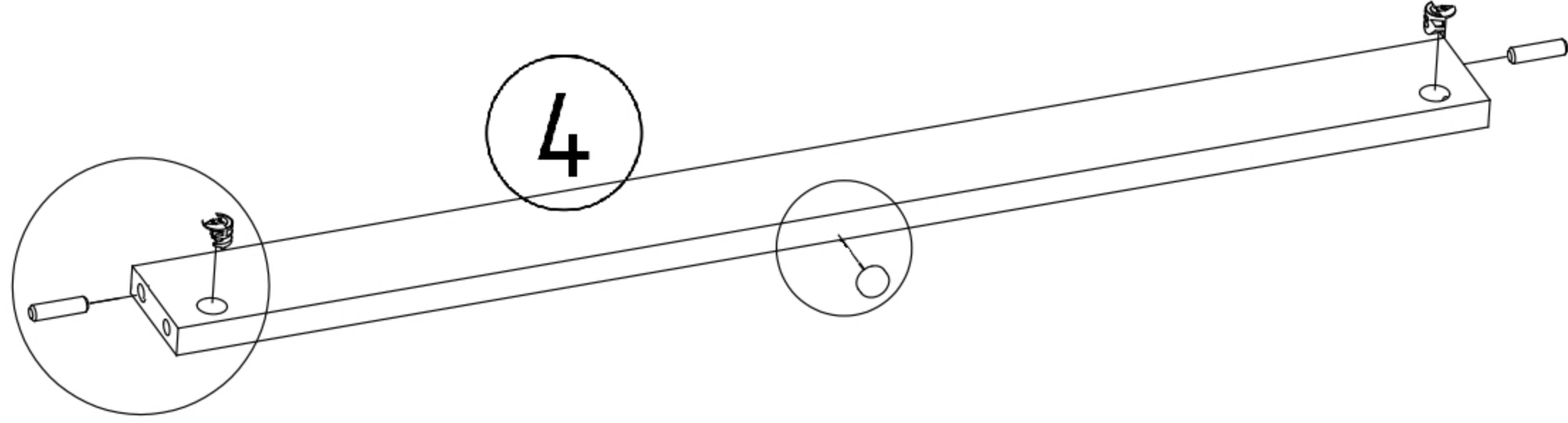
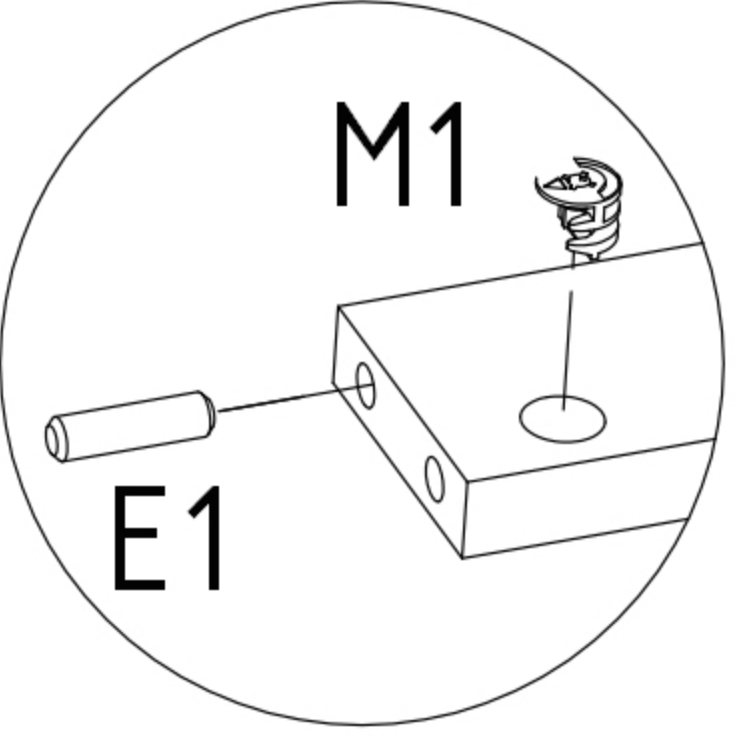
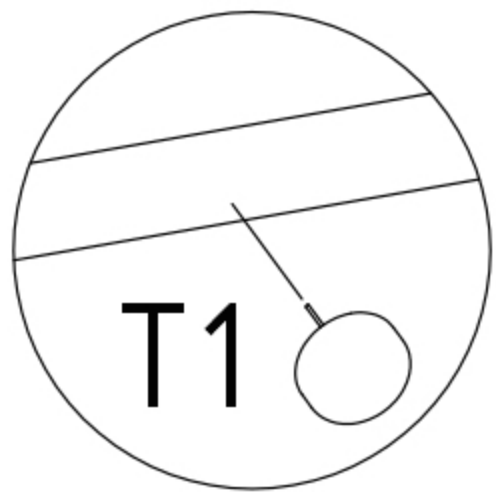
N1  L=35mm x5	K7  5x16mm x8	T1  x2	E1  8x30mm x2	M1  12x15mm x2
--	---	--	---	--

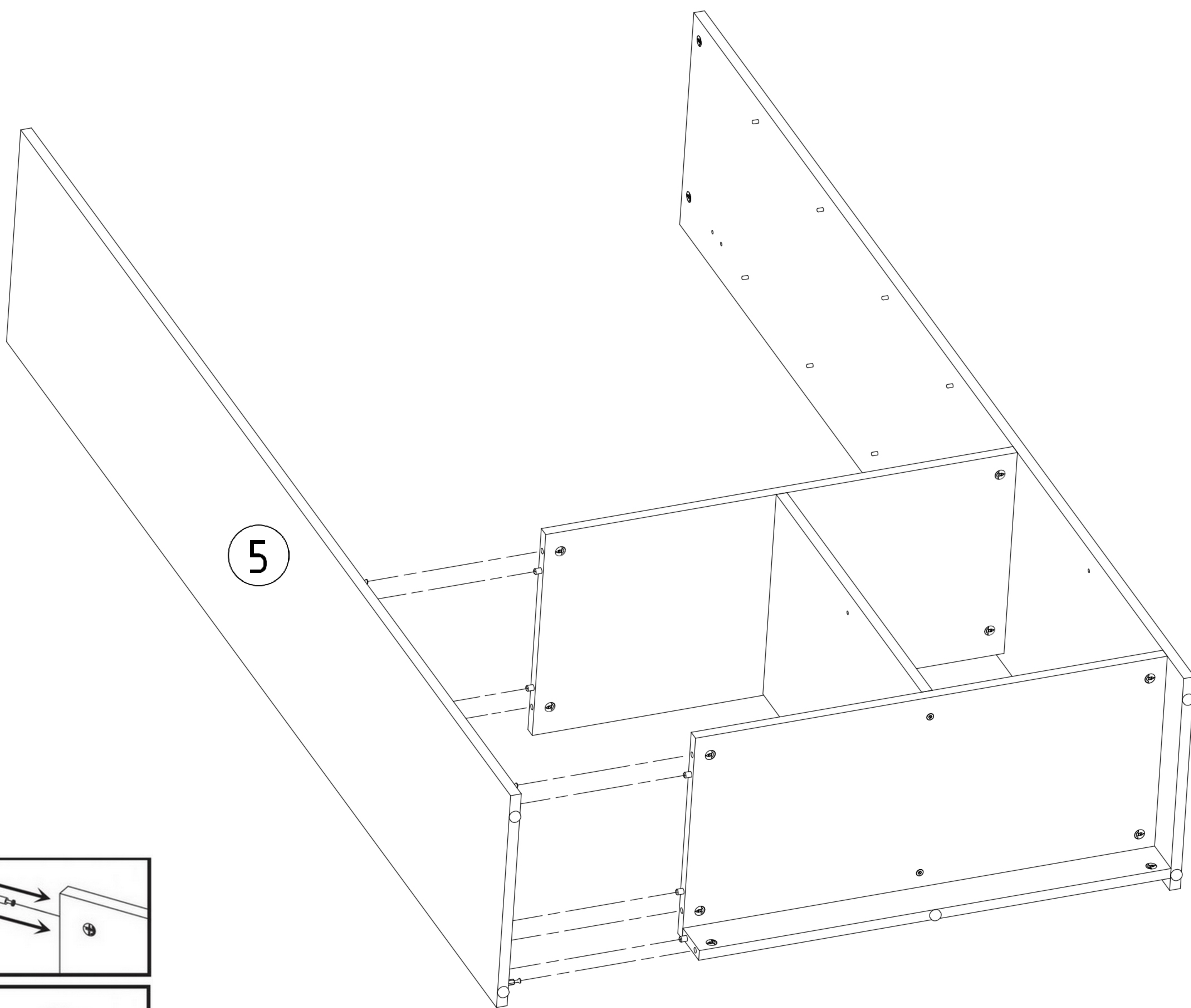


N1  L=35mm x5	K7  5x16mm x8	T1  x2	E1  8x30mm x2	M1  12x15mm x2
--	---	--	---	--

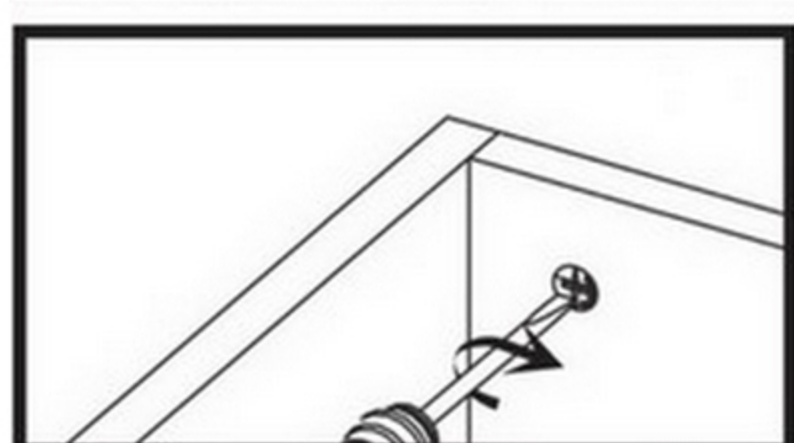
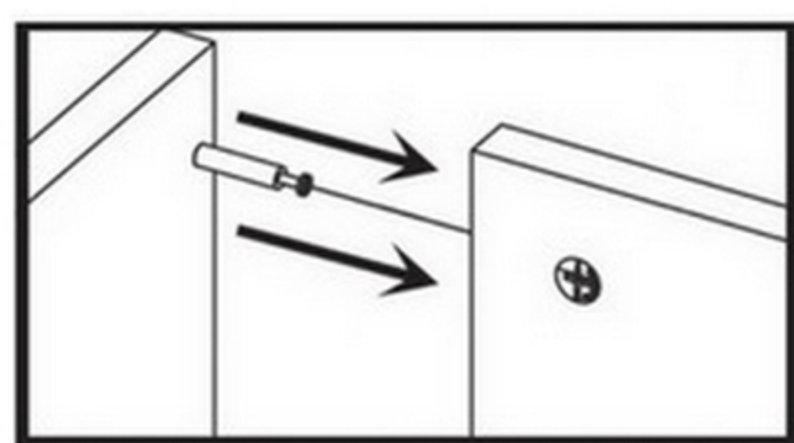


M1  12x15mm x2	E1  8x30mm x2	T1  x1
---	--	---

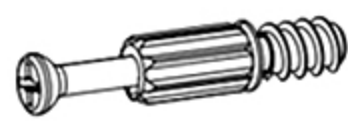




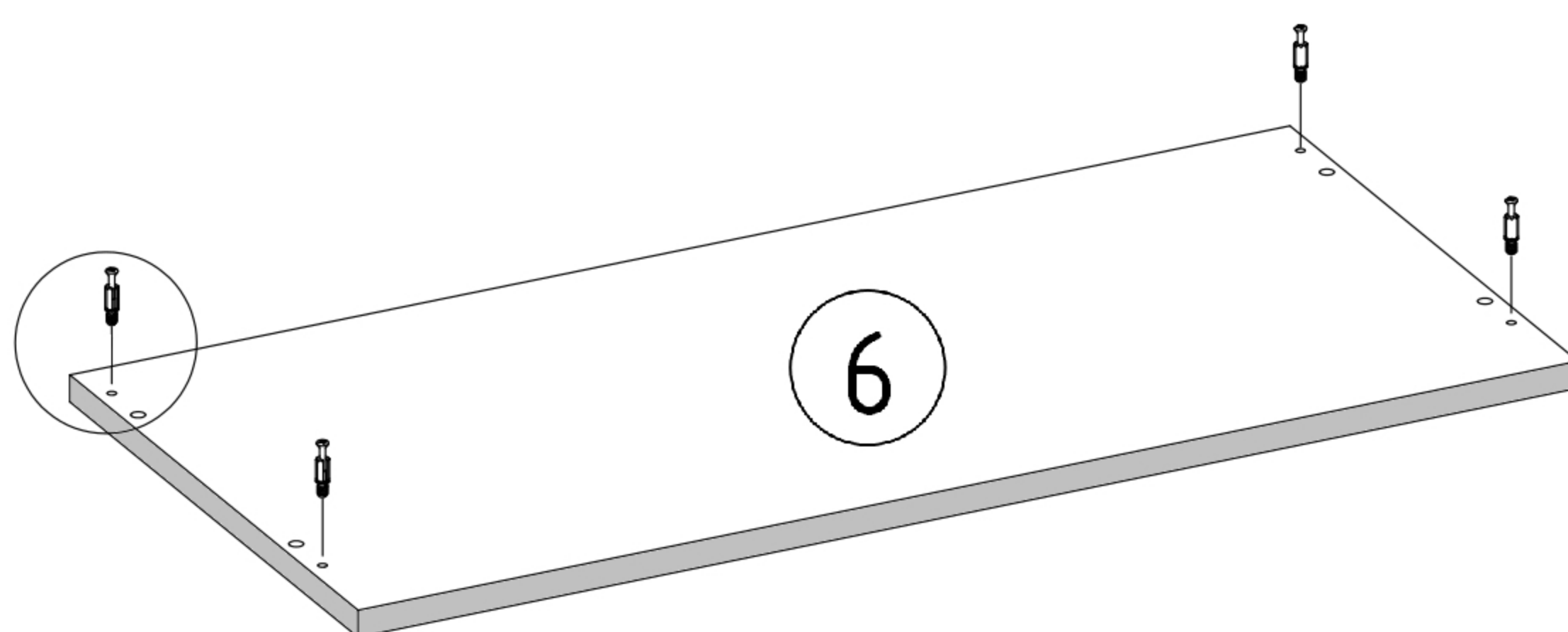
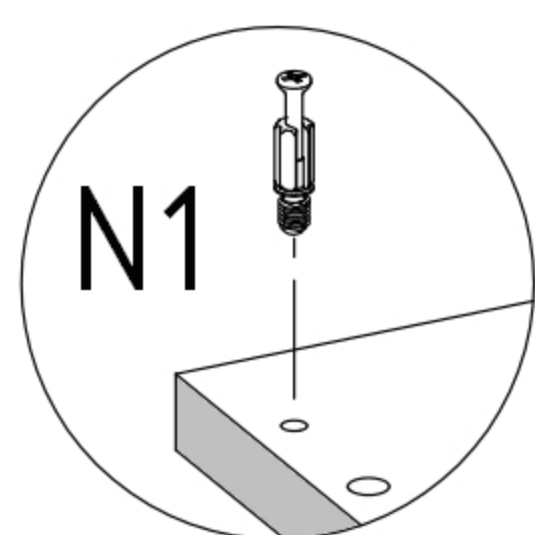
5



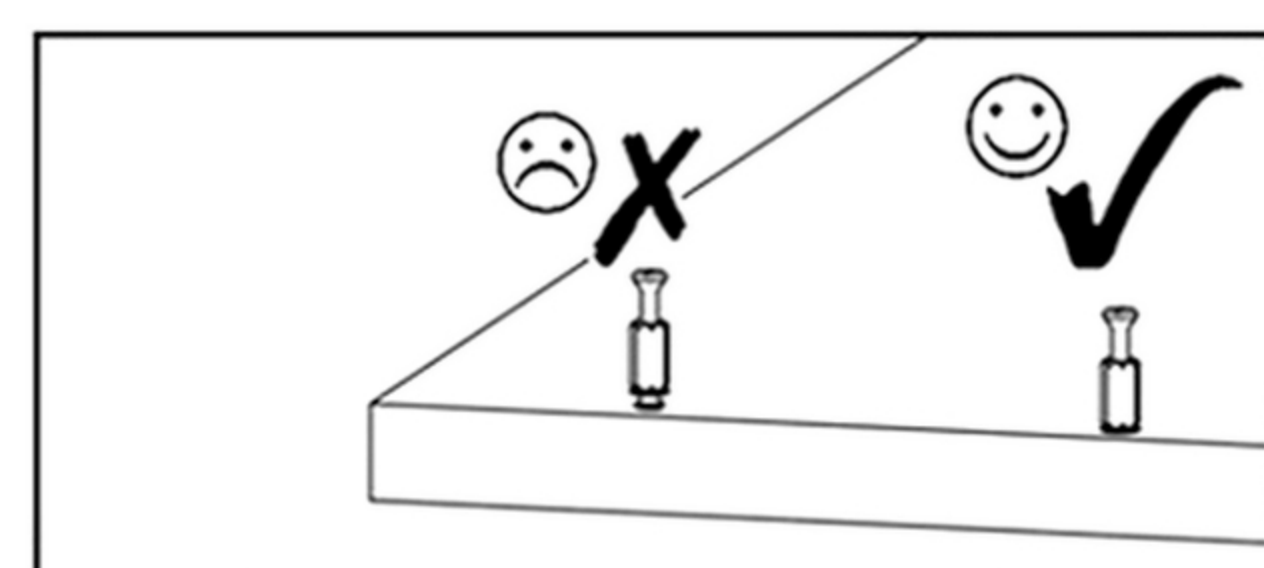
N1

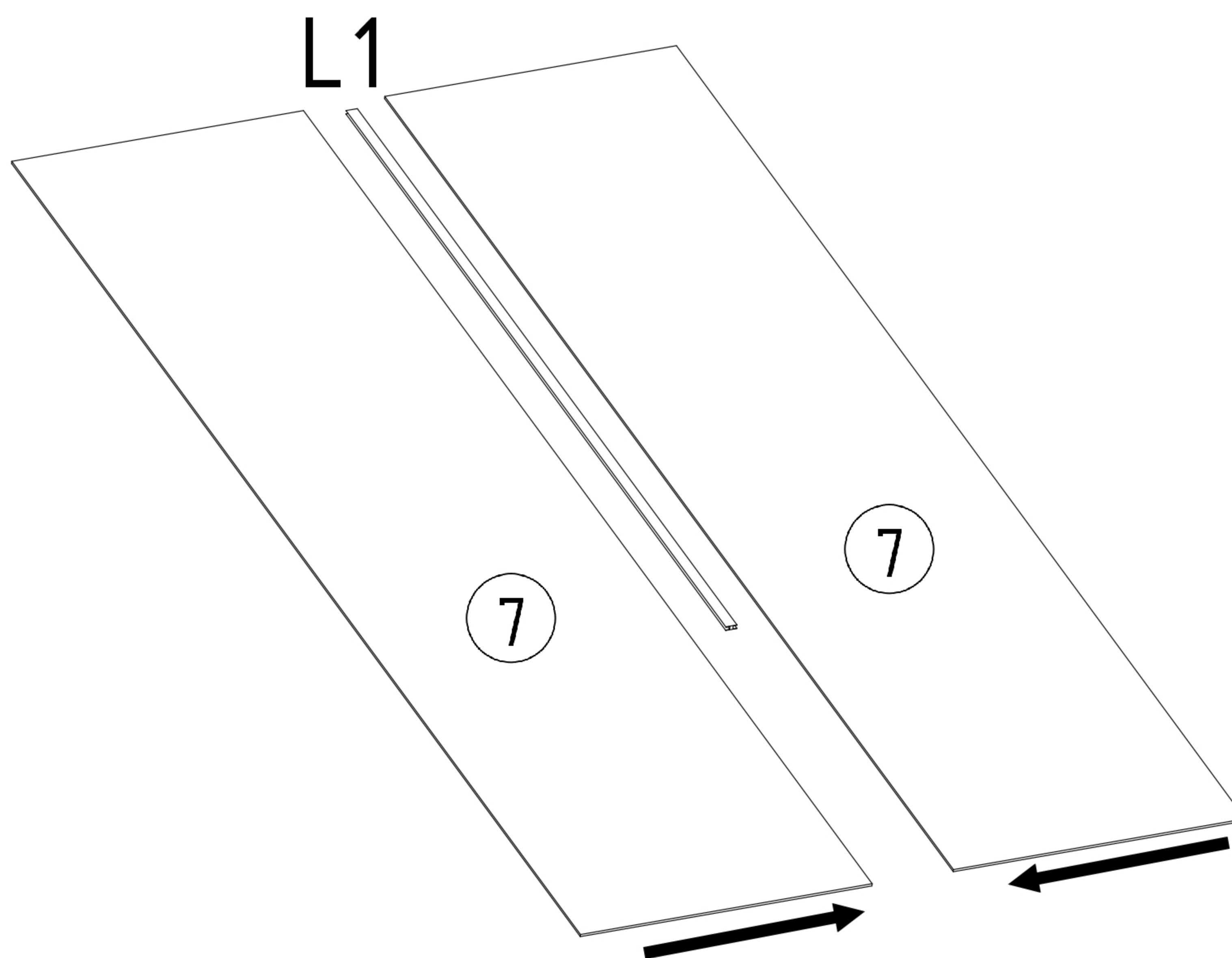
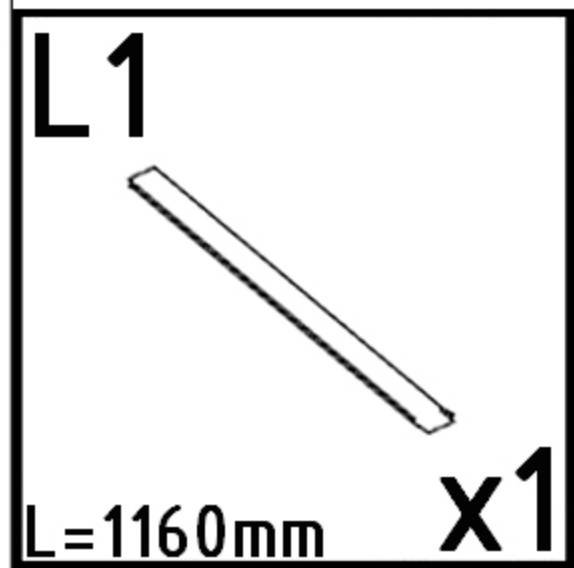
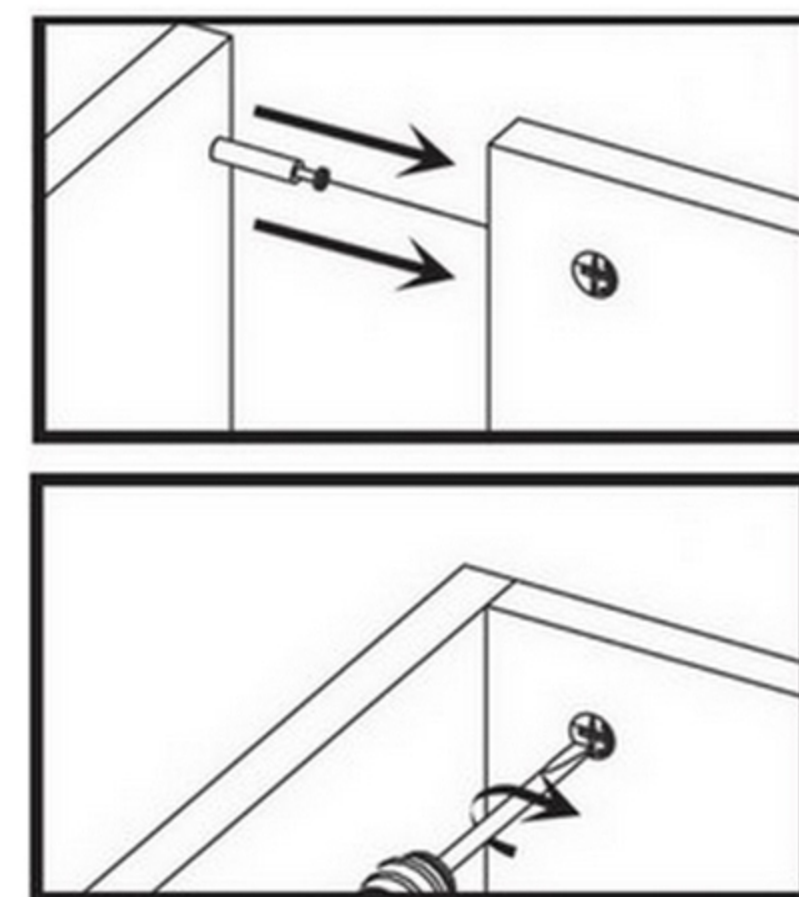
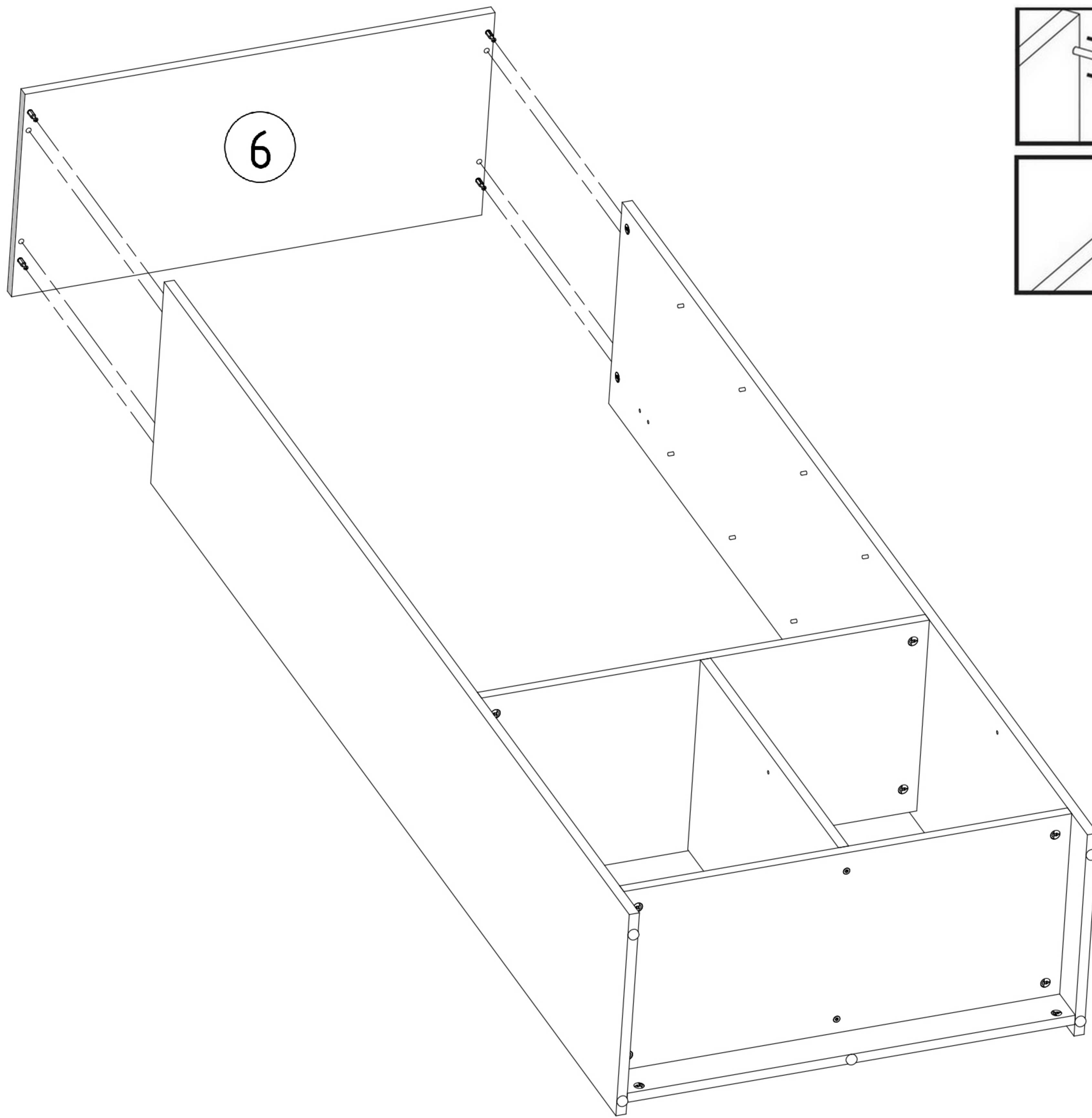




L=35mm **X4**

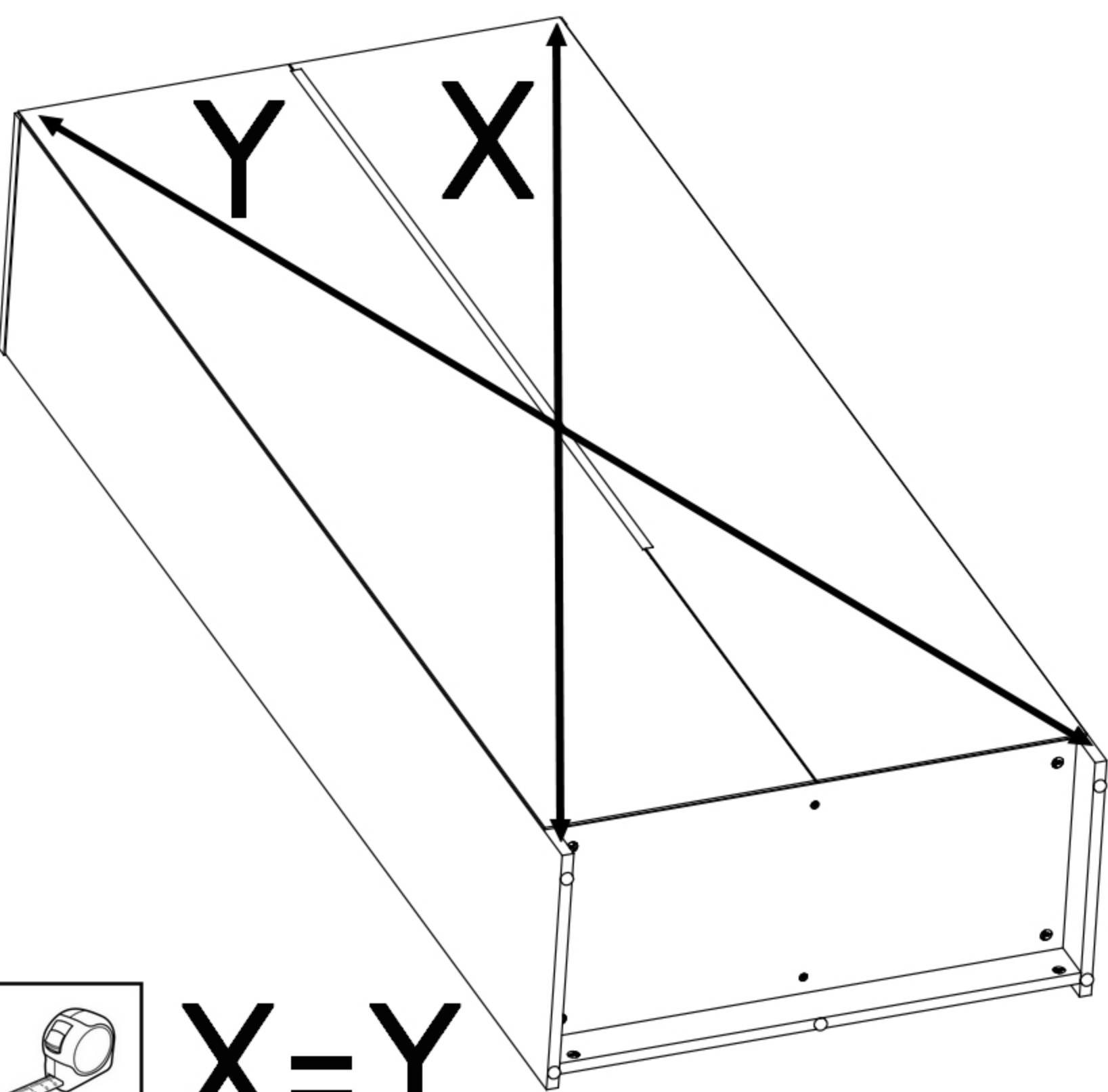


6

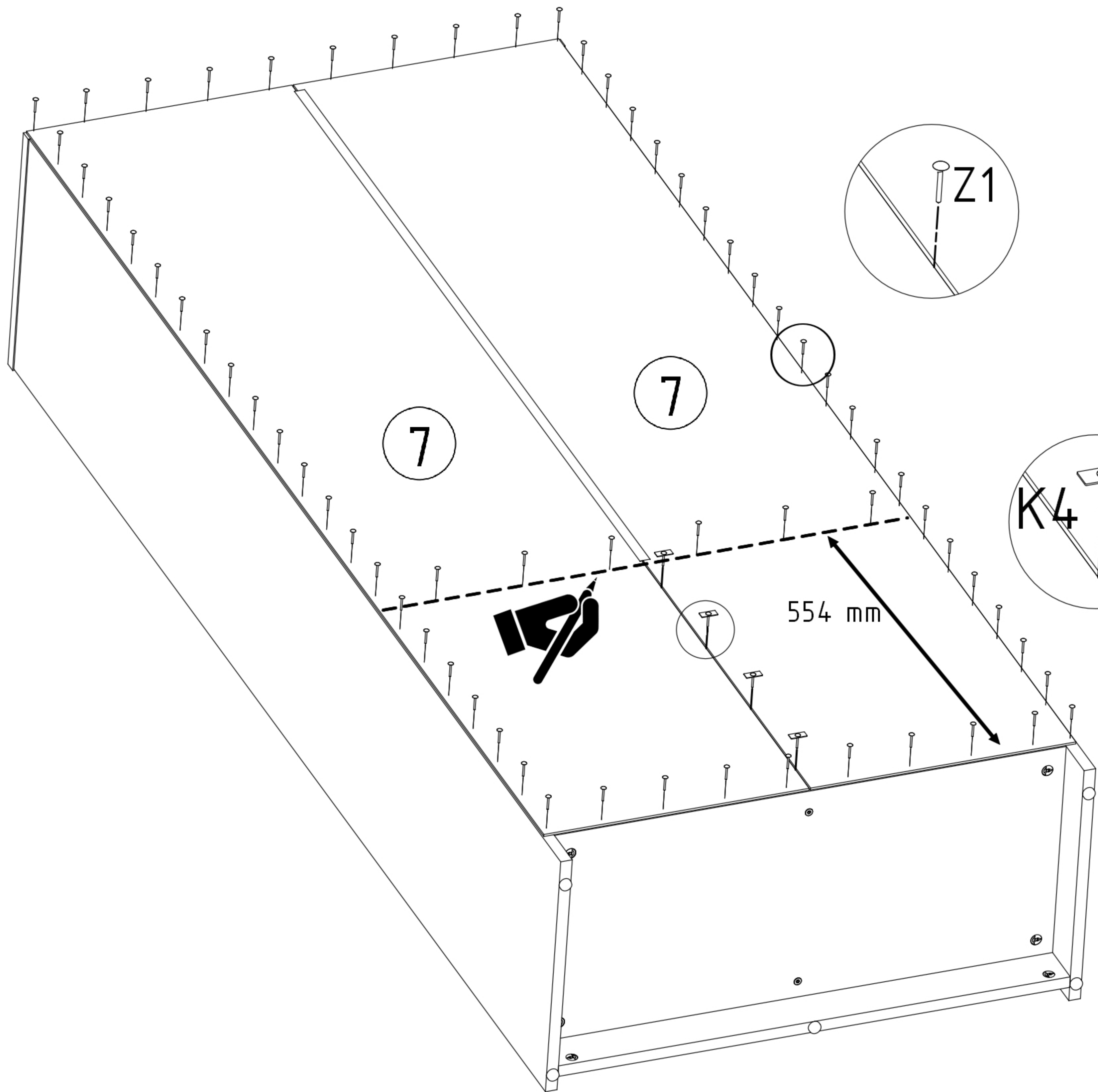
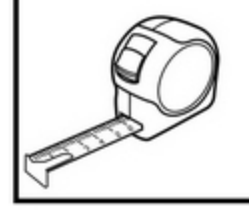


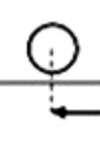

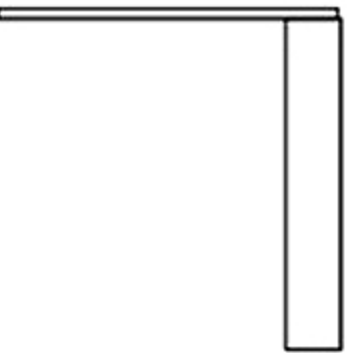
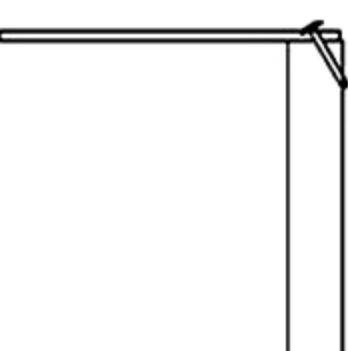


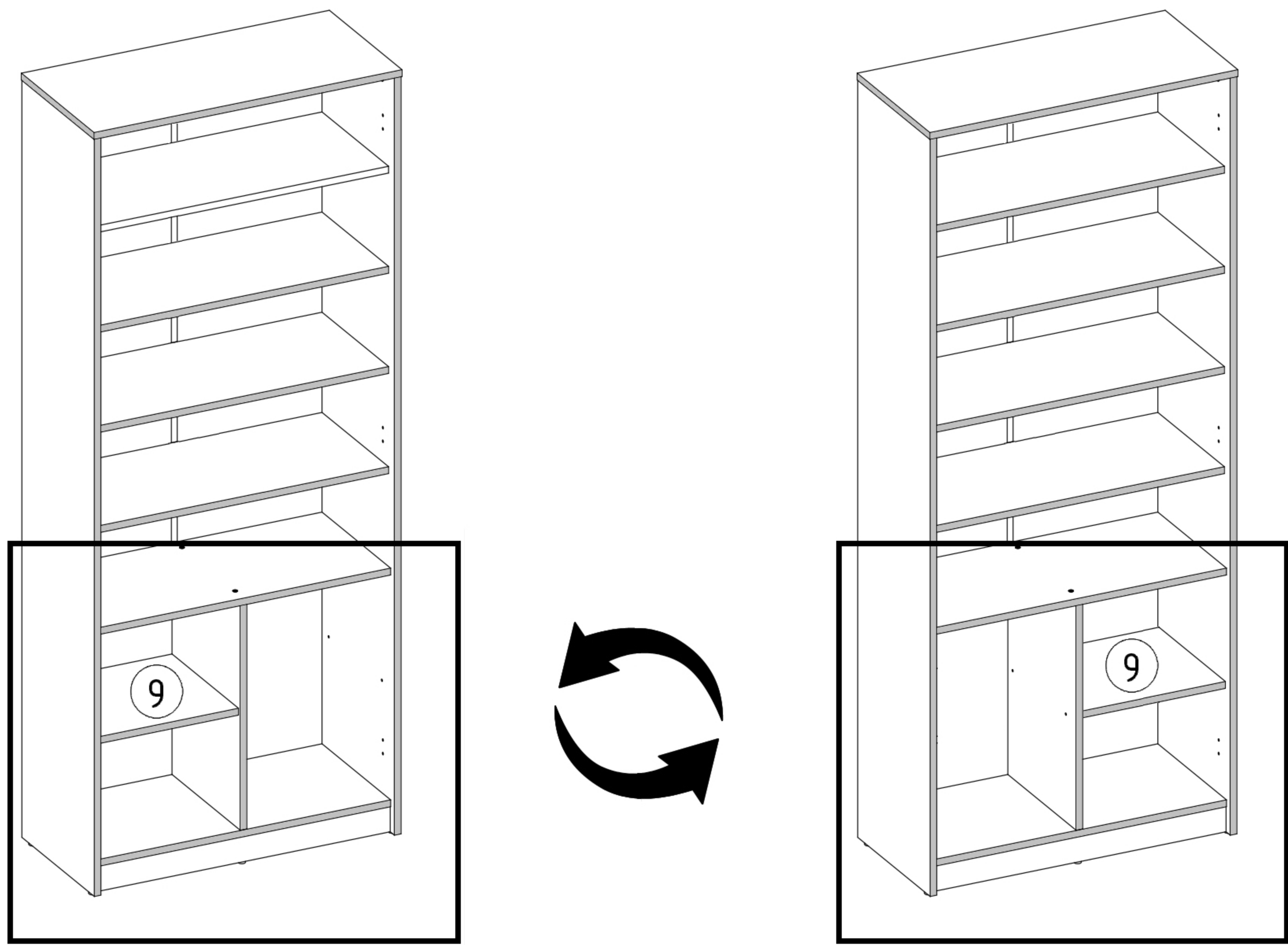
K4  x4	Z1  x90
---	---

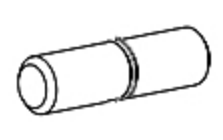



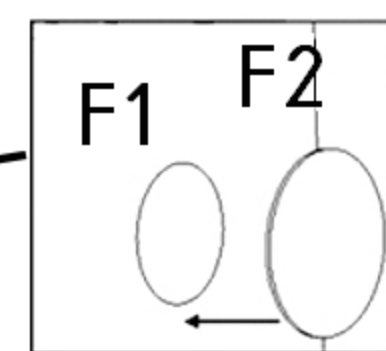
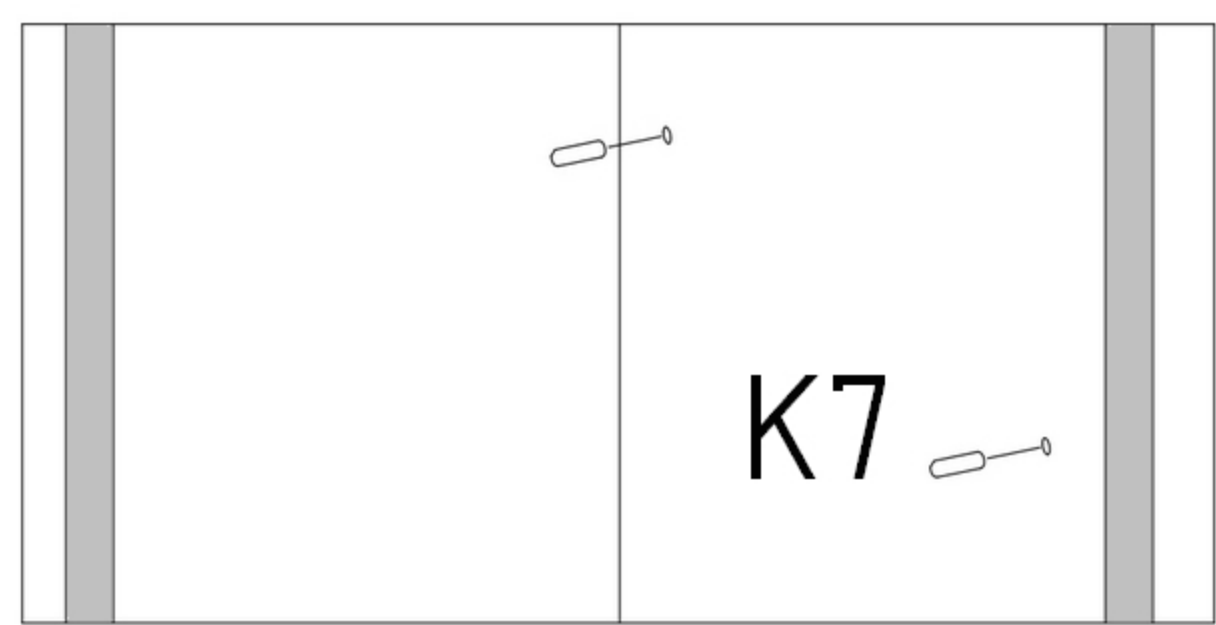
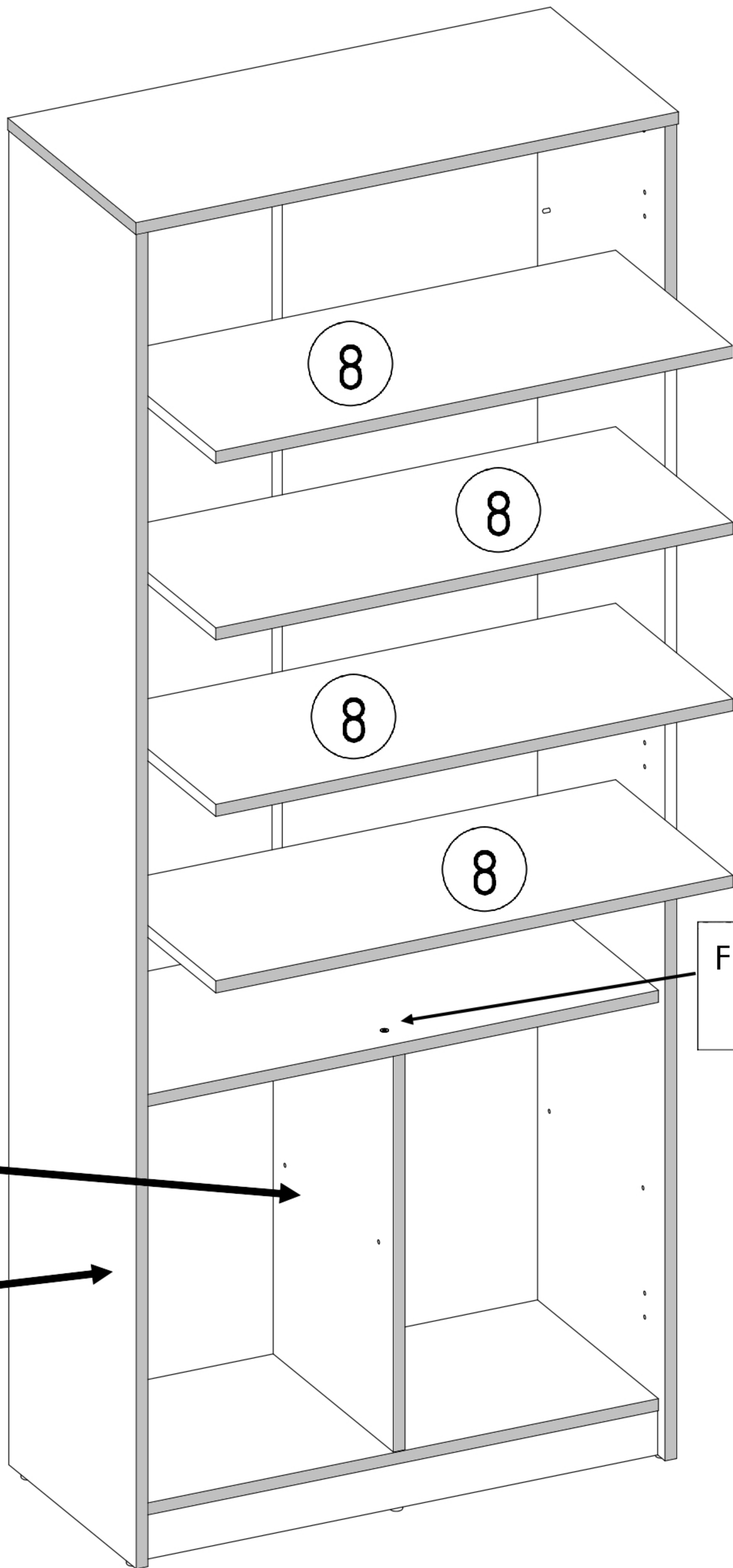
X = Y

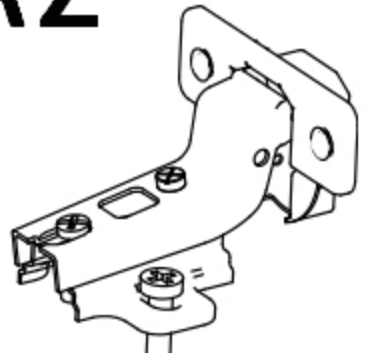
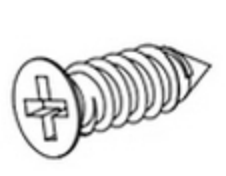


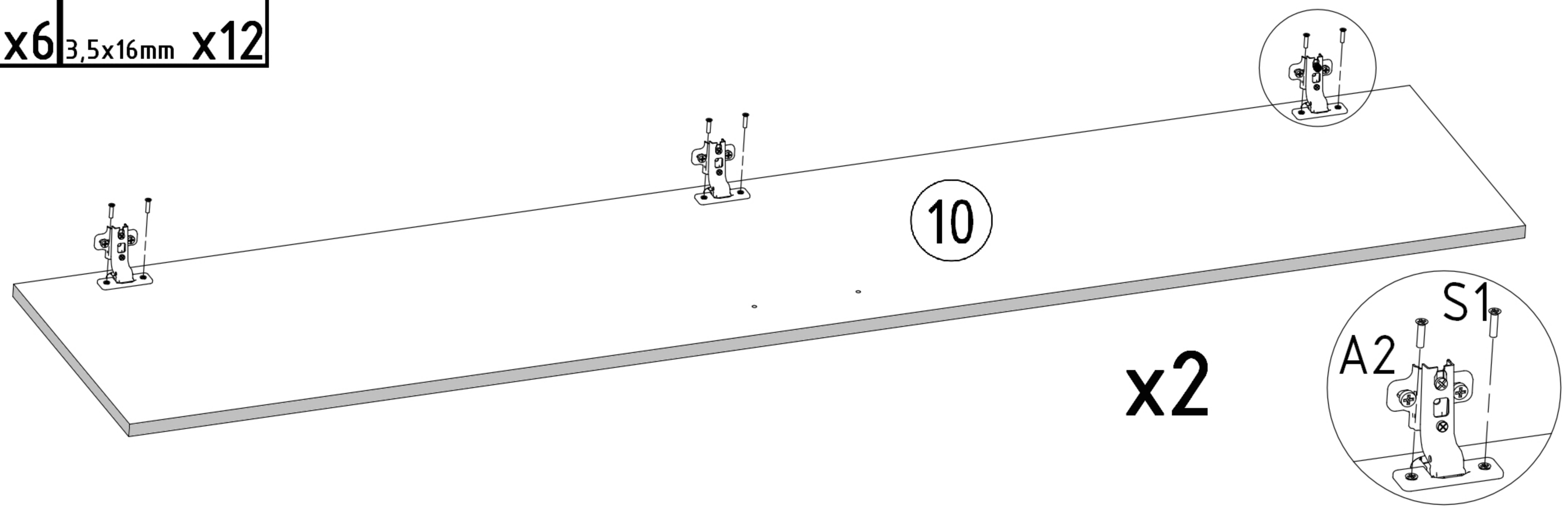
 6mm

 ✓
 ✗

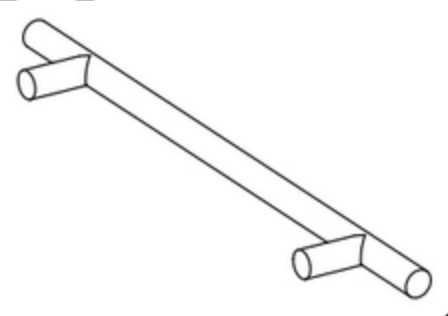
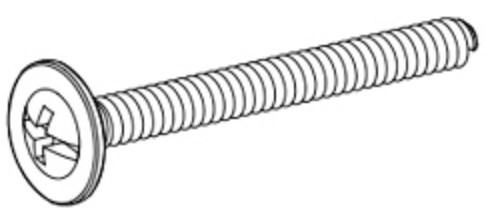

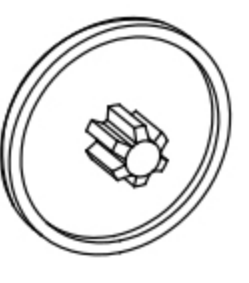


K7  5x16mm	F2  x2
--	--



A2 	S1 
ZW x6	3,5x16mm x12



U8 	S5 	K2 	M2 
L=200mm x2	4x27 mm x4	x1	16 mm x4

